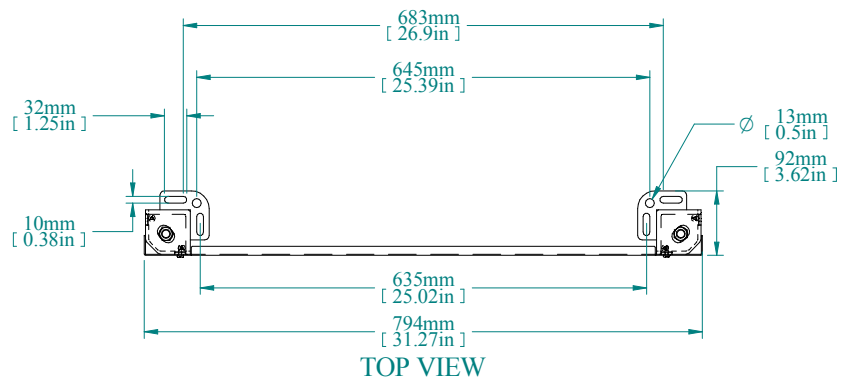
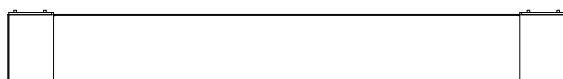


ISOMETRIC VIEW



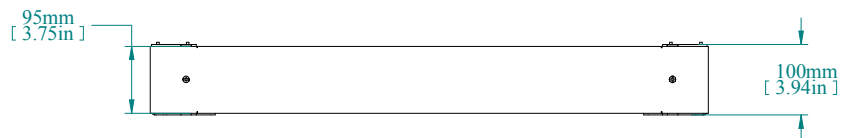
TOP VIEW



REAR VIEW



L.S. VIEW



FRONT VIEW

| PART NUMBERS | |
|--------------|------------------------|
| HPLW18 | PAINTED TEXTURED BLACK |

| NOTES |
|--|
| HPLW contains 4 corner supports along with corresponding front and rear panels. See Hammond Website for Additional Accessories. |

Data subject to change without notice. Isometric drawing not to scale.



**HAMMOND
MANUFACTURING™**
www.hammondmfg.com
PART NO. HPLW18