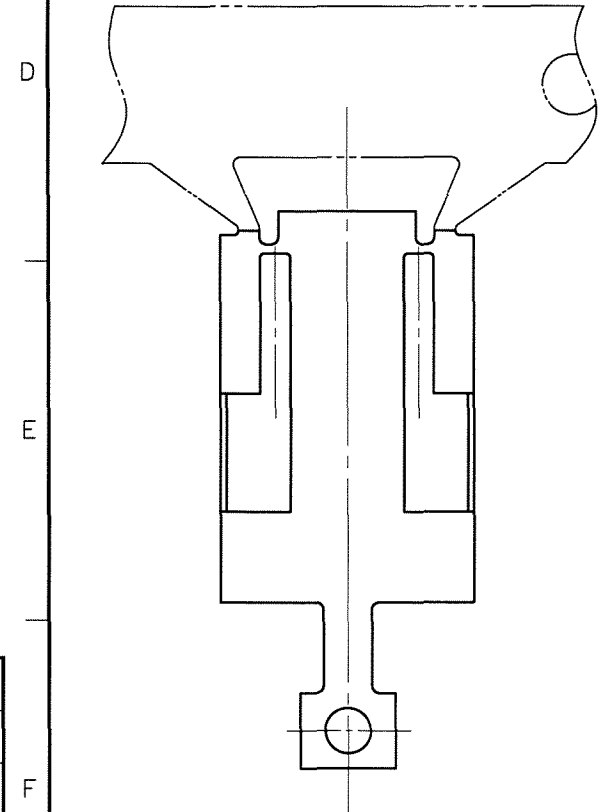
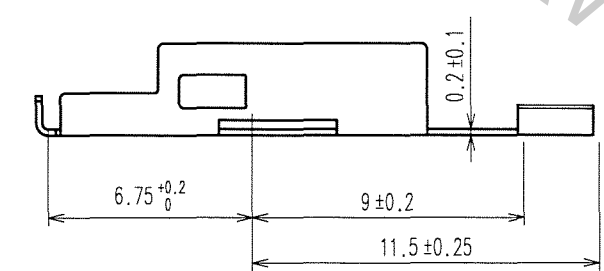
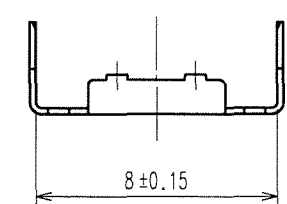
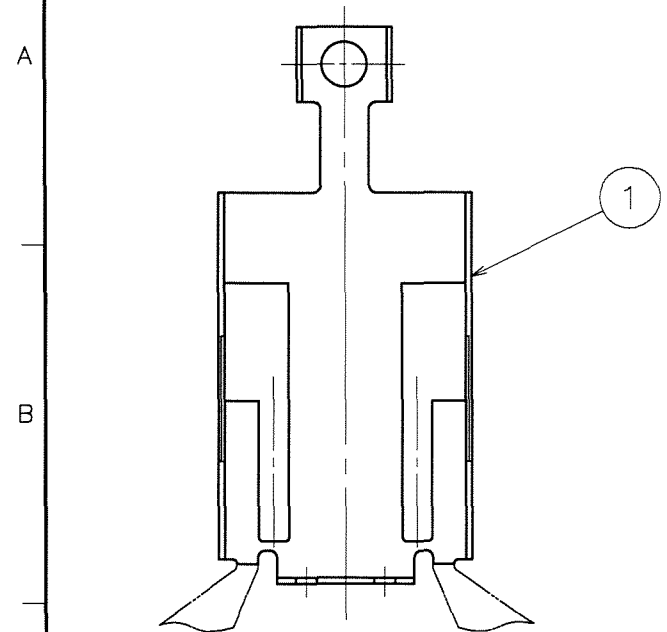
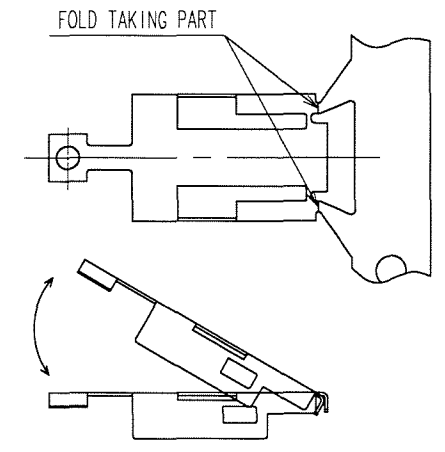


Apr.1.2017 Copyright 2017 HIROSE ELECTRIC CO., LTD. All Rights Reserved.

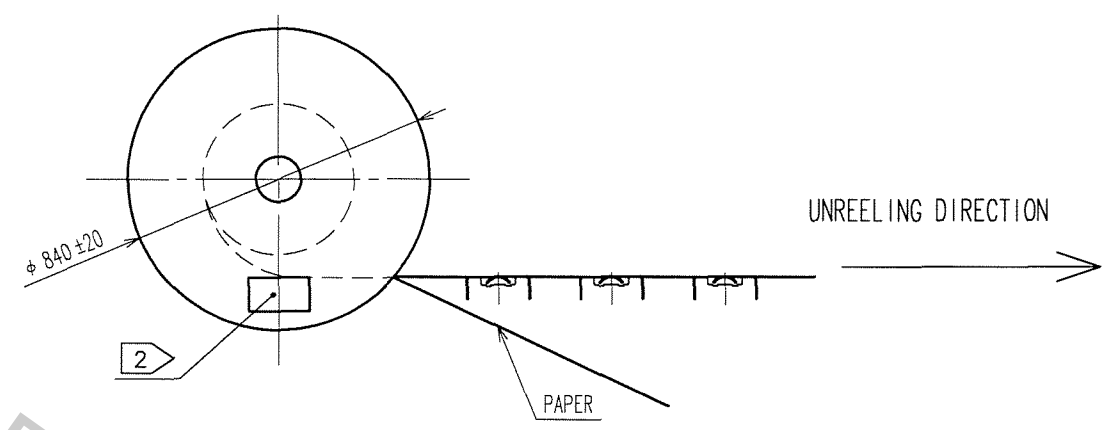
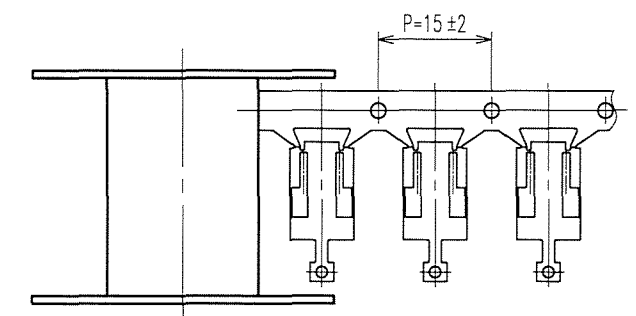
COUNT	DESCRIPTION OF REVISIONS	BY	CHKD	DATE	COUNT	DESCRIPTION OF REVISIONS	BY	CHKD	DATE
△				..	△				..
△				..	△				..
△				..	△				..



3 Fig-2 CUT OFF A CAREER(FREE)



1 Fig-1 REELING (FREE)



NOTE  
 1 THIS IS DELIVERED BY A REEL.QTY:4000PCS.  
 2 SHOWN ON A REEL AND A BOX IS ; \*PART No. \*, \*CODE No. \*, \*LOT No. \*, \*QTY\*  
 3 CUT OFF A CAREER AS SHOWN IN FIG-2.

TO

NO.	MATERIAL	FINISH, REMARKS	NO.	MATERIAL	FINISH, REMARKS
			1	STAINLESS STEEL	
CODE NO. (OLD)			DRAWN	DESIGNED	CHECKED
			<i>M. Hingano</i>	<i>M. Hingano</i>	<i>K. Kikawa</i>
			07.10.16	07.10.16	07.10.16
			APPROVED	RELEASED	
			<i>[Signature]</i>	..	
SCALE	DRAWING NO.	PART NO.	CODE NO.		
4 : 1	EDC3-126576	ZX64-SLDB	CL242-0049-8		
UNITS	HRS HIROSE ELECTRIC CO., LTD		1/1		
mm					