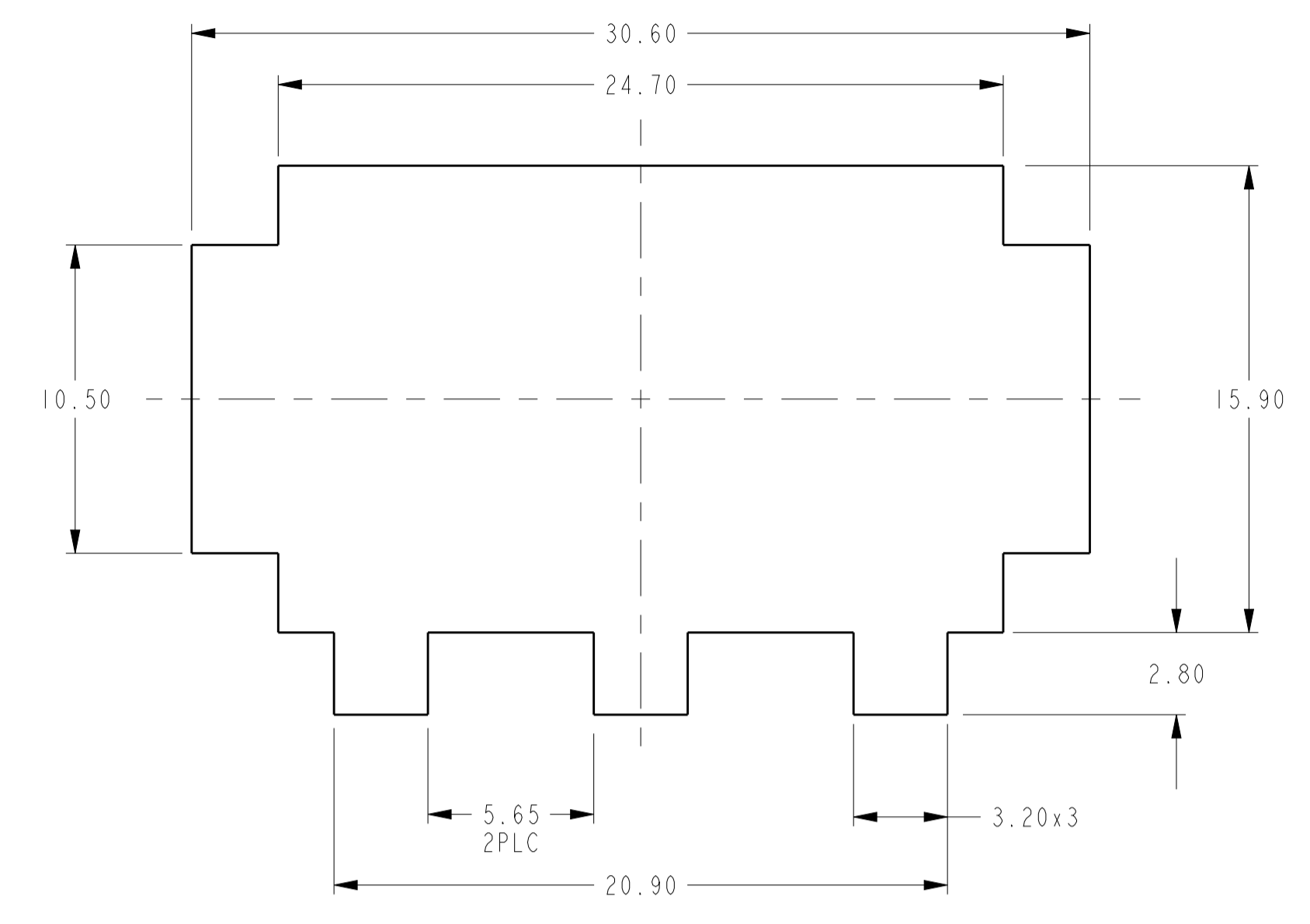
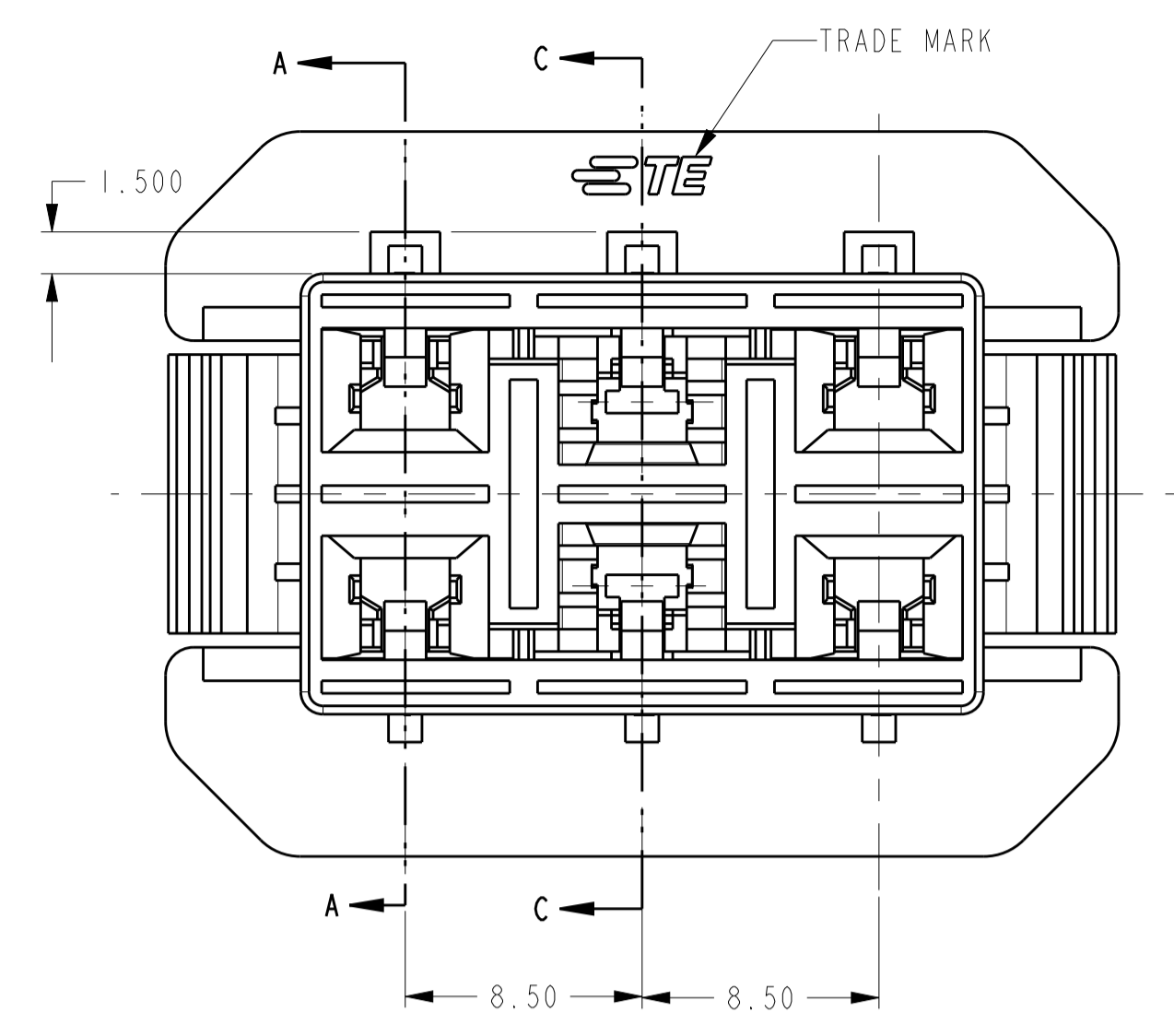
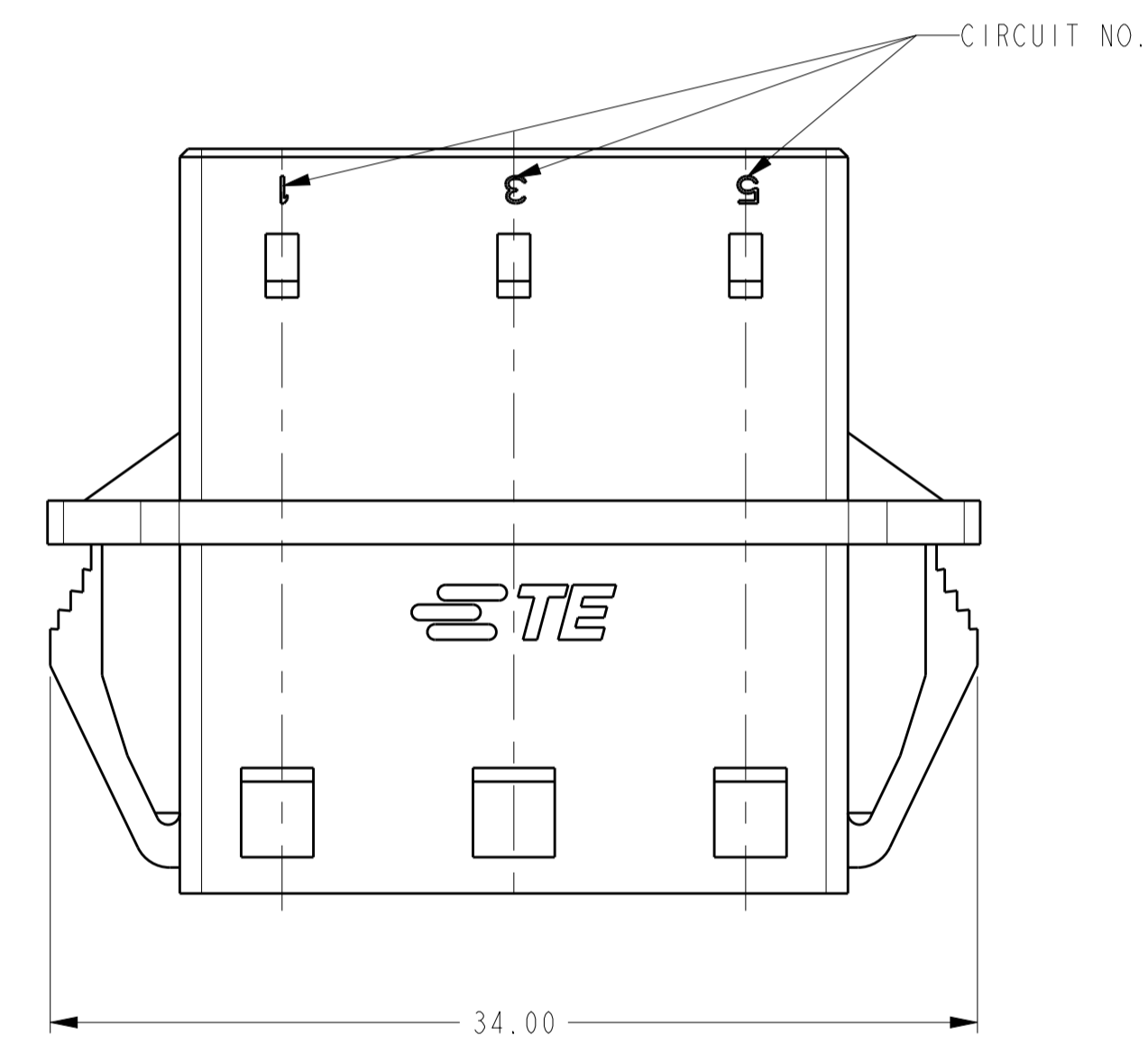
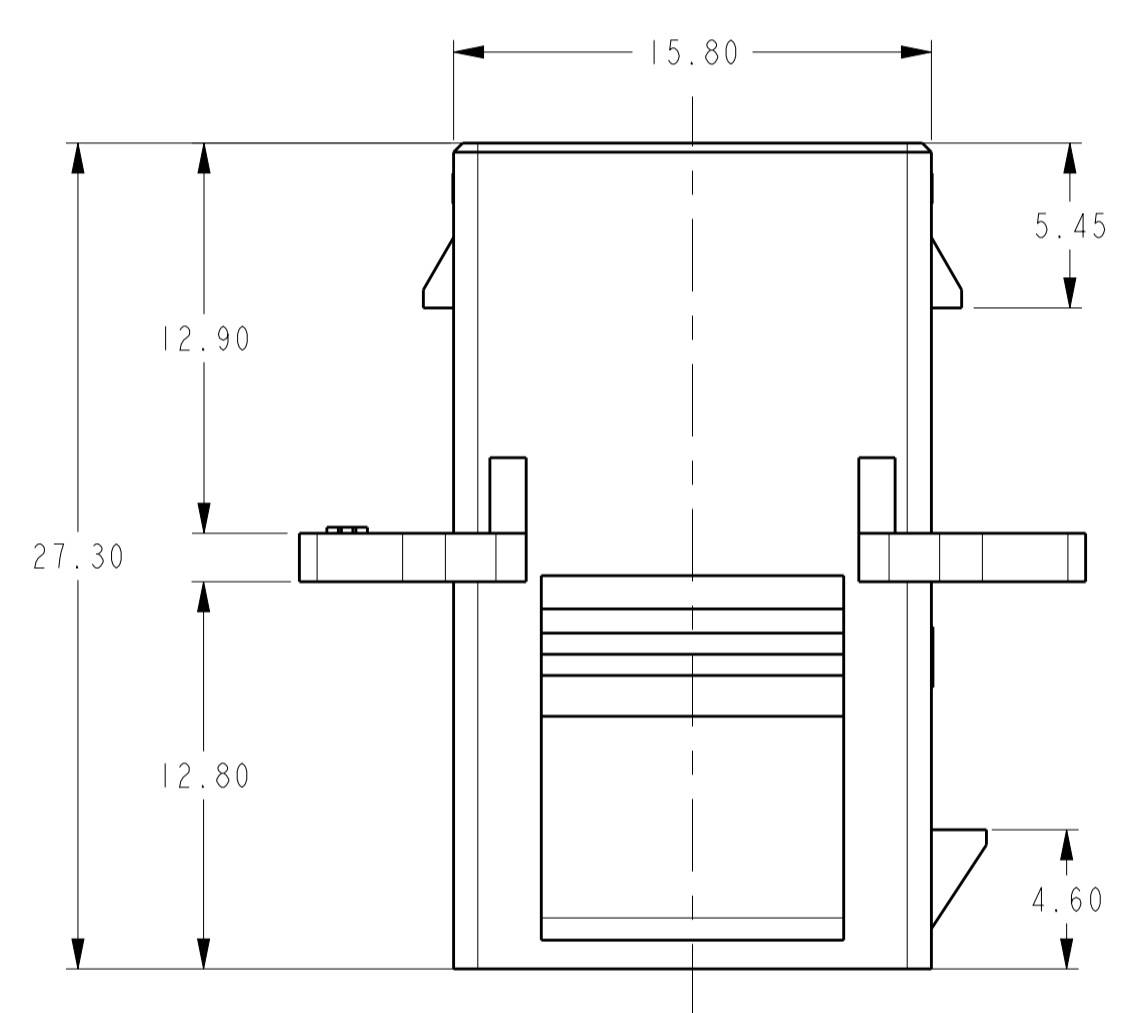


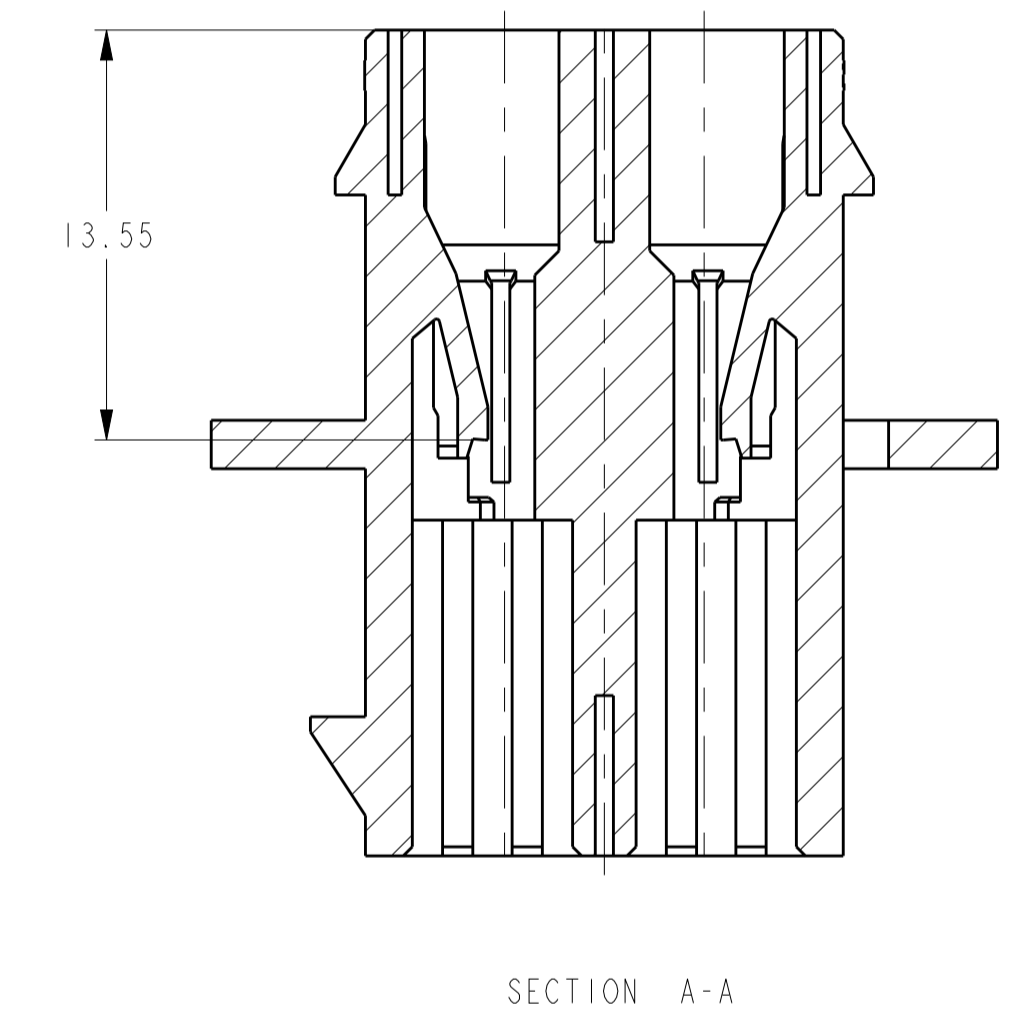
REVISONS		DATE	DWN	APVD
P	LTM			
A		17AUG2011	R.C	E.K
A1		11OCT2012	DZ	YH.M



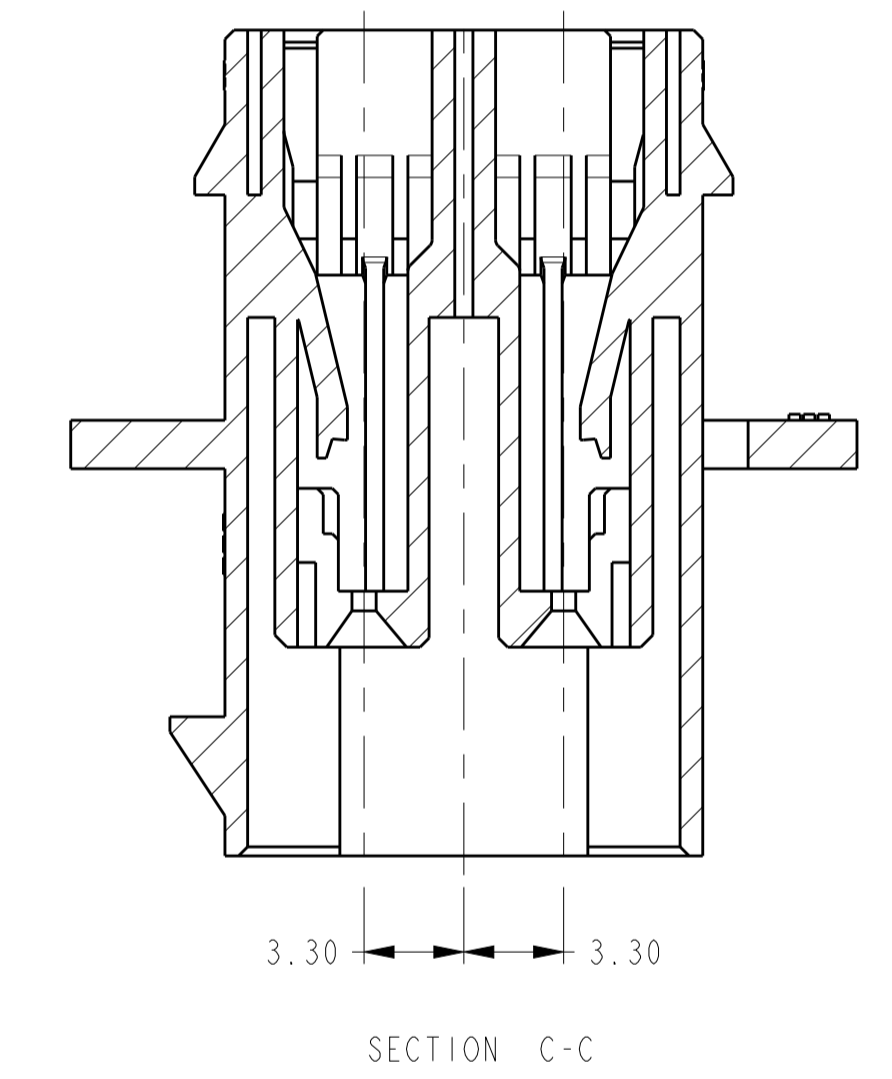
RECOMMENDED PANEL OPENING DIMENSIONS
 (TOLERANCE: ±0.05mm)



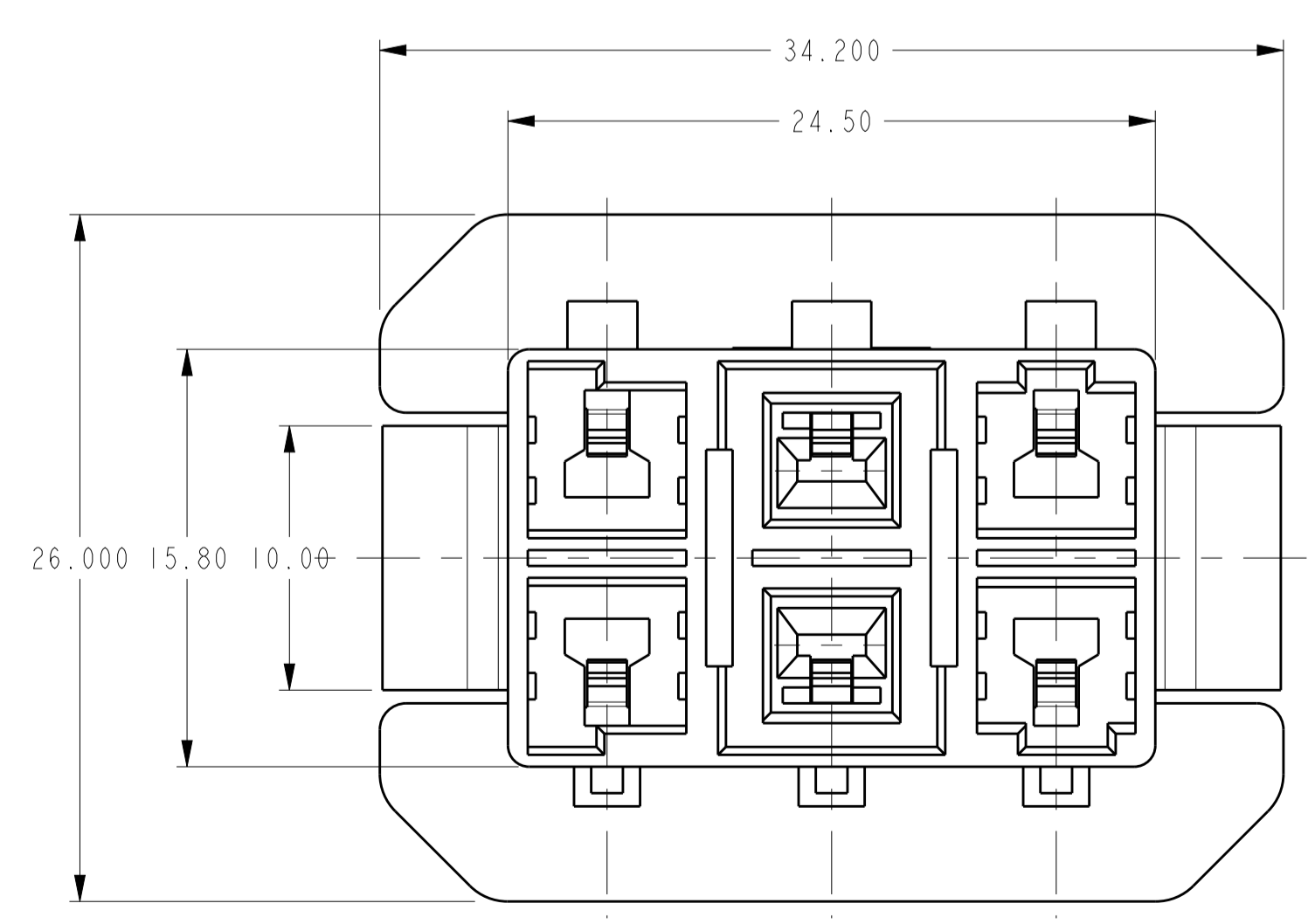
CONN. INSERTION DIRECTION FOR PANEL



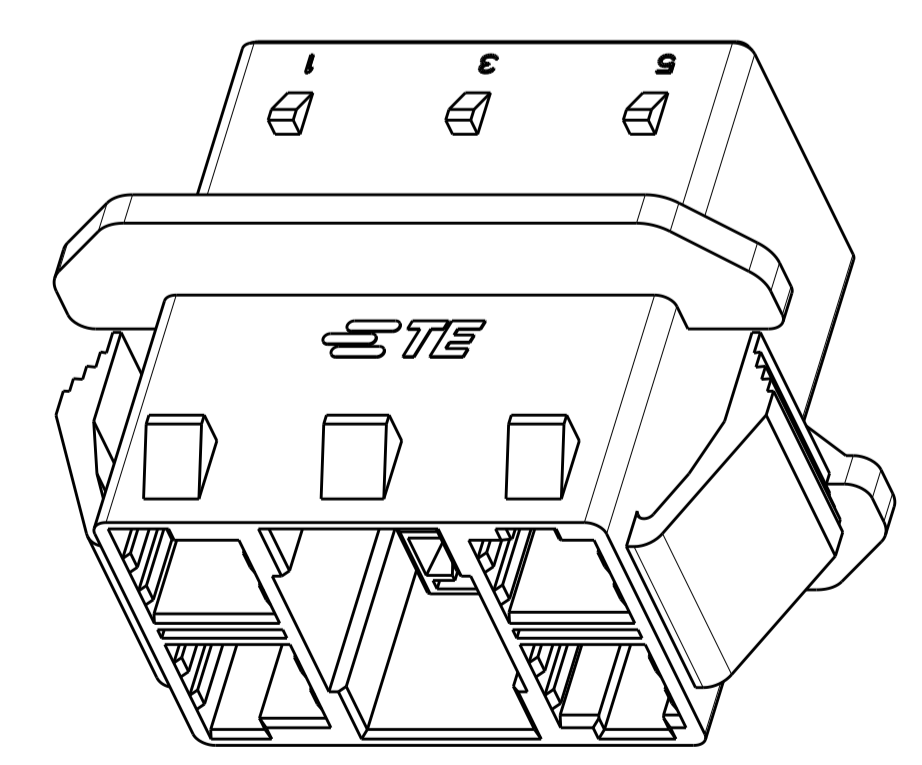
SECTION A-A



SECTION C-C



- NOTE**
- 1 MATERIAL: THERMOPLASTIC, UL94 V-0, COLOR: NATURAL
 - 2 PRODUCT SPEC: 108-106071
 - 3 APPLICABLE CONTACT P/N:
 TAB CONTACT: 1983661/2-1
 REC CONTACT: 1983663/4-1
 - 4 MATING CONN. P/N:
 HSG: 1983660-1(2P), 1983659-1(4P)
 - 5 APPLICABLE DOUBLE LOCK PLATE P/N: 1983667-1
 - 6 APPLICABLE PANEL THICKNESS: 1.2mm
 7. PRODUCT COMPLY WITH GLOW WIRE REQUIREMENTS FOR PARTS OF NON-METALLIC MATERIAL SUPPORTING A CURRENT-CARRYING CONNECTION DETAILED IN IEC 60335-1, SECTION 30 (GWT).



THIS DRAWING IS A CONTROLLED DOCUMENT.		DWN: RICHARD CHEN 19AUG2011	PART NUMBER 1983658-1	
DIMENSIONS: mm		CHK: HAPYE WU 19AUG2011	STE TE Connectivity	
TOLERANCES UNLESS OTHERWISE SPECIFIED:		APVD: ERIC KONG 19AUG2011	NAME: MULTI 6P CONNECTOR	
0 PLC ±	1 PLC ±0.30	PRODUCT SPEC: 108-106071	SIZE: A1	CAGE CODE: 00779
2 PLC ±	3 PLC ±	APPLICATION SPEC: 114-106071	SCALE: N/A	DRAWING NO: 1983658
4 PLC ±	ANGLES ±2°	WEIGHT: -	SHEET: 1	REV: A1
MATERIAL: -	FINISH: -	CUSTOMER DRAWING	SCALE: N/A	SHEET: 1 OF 1