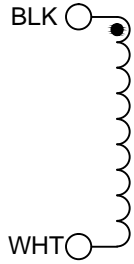


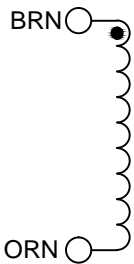
PRIMARY

SECONDARY

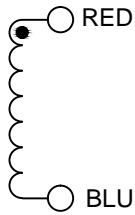
PRIMARY #1
117V 50/60Hz



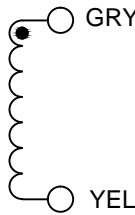
PRIMARY #2
117V 50/60Hz



SECONDARY #1
117V @ 2.67Amps



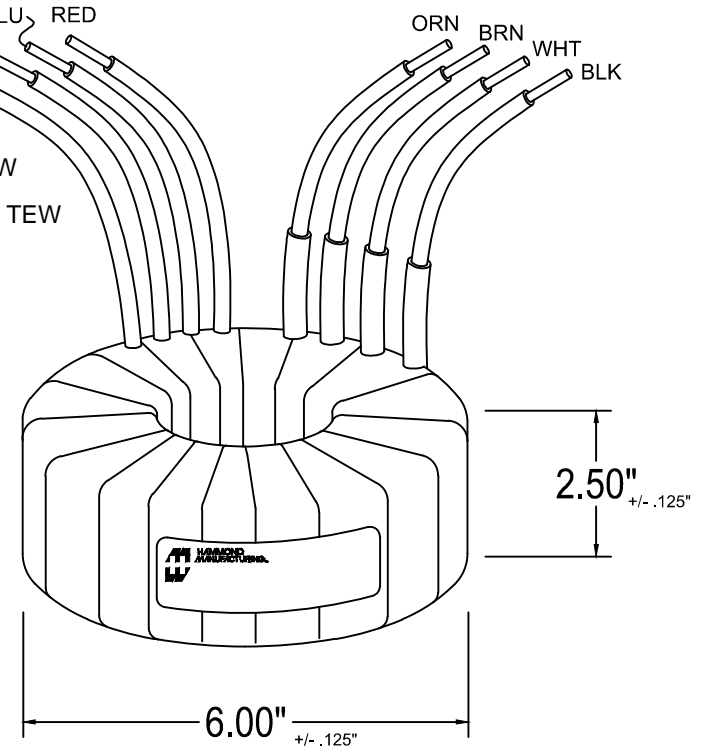
SECONDARY #2
117V @ 2.67Amps



PRIMARY LEADS ARE #18 TEW
SECONDARY LEADS ARE #18 TEW

ALL LEADS OUT 8"-9" AND
STRIPPED 0.5" MIN.

WEIGHT: 10.80Lbs +/- 4%



HAMMOND MANUFACTURING
1182P117
 50/60Hz VA:625
 PRI: 2x 117V BLK-WHT, BRN-ORN
 SEC: 2x 117V @ 2.67A RED-BLU, GRY-YEL
 1A0625A000C117117
 MADE IN CANADA DATE PB
 RoHS Compliant
 CE, UL, and other certification marks.

SUPPLIED WITH: TWO 0.093" T X 4.75" OD RUBBER WASHERS.
 ONE 16GA X 4.30" OD STEEL MOUNTING WASHER.
 ONE 1/4-20 BOLT 3.00" LONG WITH A LOCK WASHER AND 1/4-20 HEX NUT.

ELECTRICAL DATA:		
TESTS	CONDITIONS	ACCEPTANCE CRITERIA
Sec. N.L.V	@ 117V, 60Hz	
	BLK & BRN to WHT & ORN	
OR	@ 234V, 50Hz	
	BLK to ORN (Connect BRN & WHT)	
	RED - BLU	121.46 V ±2%
	GRY - YEL	121.46 V ±2%
POLARITY	BLK, BRN, RED and GRY.	ADDITIVE
DCR	BLK - WHT	0.680 Ohms ±20%
IN OHMS	BRN - ORN	0.680 Ohms ±20%
	RED - BLU	0.720 Ohms ±20%
	GRY - YEL	0.720 Ohms ±20%
HI POT	PRIMARY - SECONDARY	4000V, 60Hz, 1 SEC
	PRIMARY - PRIMARY	600V, 60Hz, 1 SEC
	SECONDARY - SECONDARY	600V, 60Hz, 1 SEC

PROPERTY AND COPYRIGHT NOTICE
 THIS DRAWING AND THE INFORMATION IT CONVEYS ARE THE PROPERTY OF HAMMOND MANUFACTURING. IT MAY NOT BE REPRODUCED, TRANSMITTED OR USED IN ANY MANNER WHATSOEVER WITHOUT THE WRITTEN PERMISSION OF HAMMOND MANUFACTURING.

REV	NOTES	BY	DATE	ELECTRONIC DIVISION 52 RANKIN PLACE, WATERLOO, ONTARIO, N2J 3Z5 PHONE: 519.886.6181 FAX: 519.886.9540
TOROID POWER TRANSFORMER				DRAWN: G. GRAY DATE: 21/03/2014 APPROVED: _____ DATE: _____
NUMBER: 1182P117				