

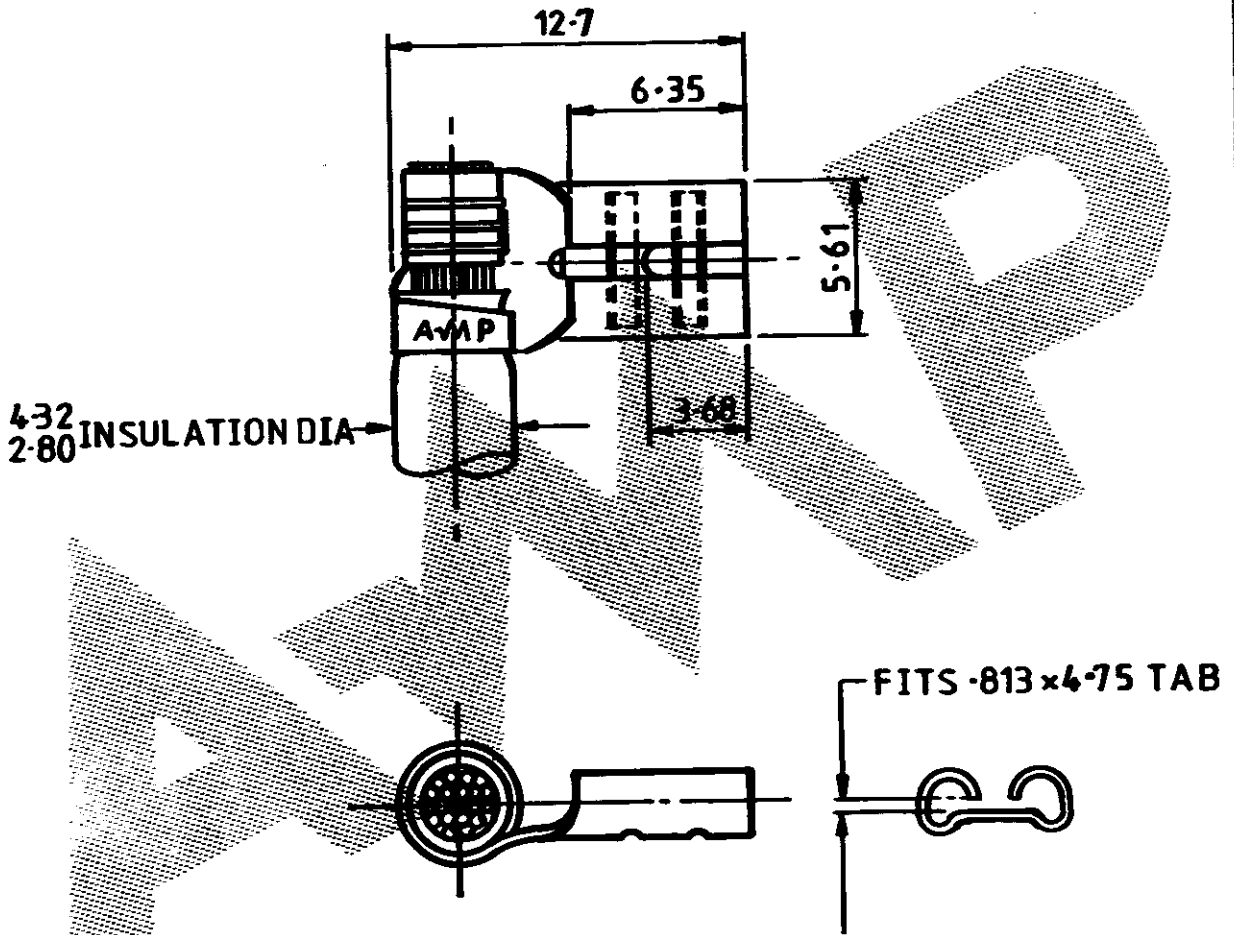
DO NOT SCALE

DIMENSIONS IN m.m

METRIC



NUMBER C 150699



TERMINAL NO	FINISH
150699 -1	NONE
150699 -2	ELECTRO-TIN

	SEE TABLE	.0126"BRASS	150699-1
OTHER TREATMENT	FINISH	MATERIAL	PART NUMBER
CUSTOMER DWG FOR REFERENCE ONLY		THIS DRAWING IS UNPUBLISHED RELEASED FOR PUBLICATION	
		TOLERANCES UNLESS OTHERWISE STATED:- DEC. = 0.5 ANGLES = 1°	INS. DIA. RANGE 20 - 16 SCALE 4:1
		DR. A. B. HAYDEN	TE Connectivity WIRE TERMINAL -187 SERIES FLAG FASTON
3	REVISED PER ECO-11-005294	RK 11APR 11	
ISS	REVISION RECORD	DR DATE	APP <i>Mark H...</i>
			LOC. DWG. NO. C 150699
			SHEET 1 of 1

PRINT