

8

7

6

5

4

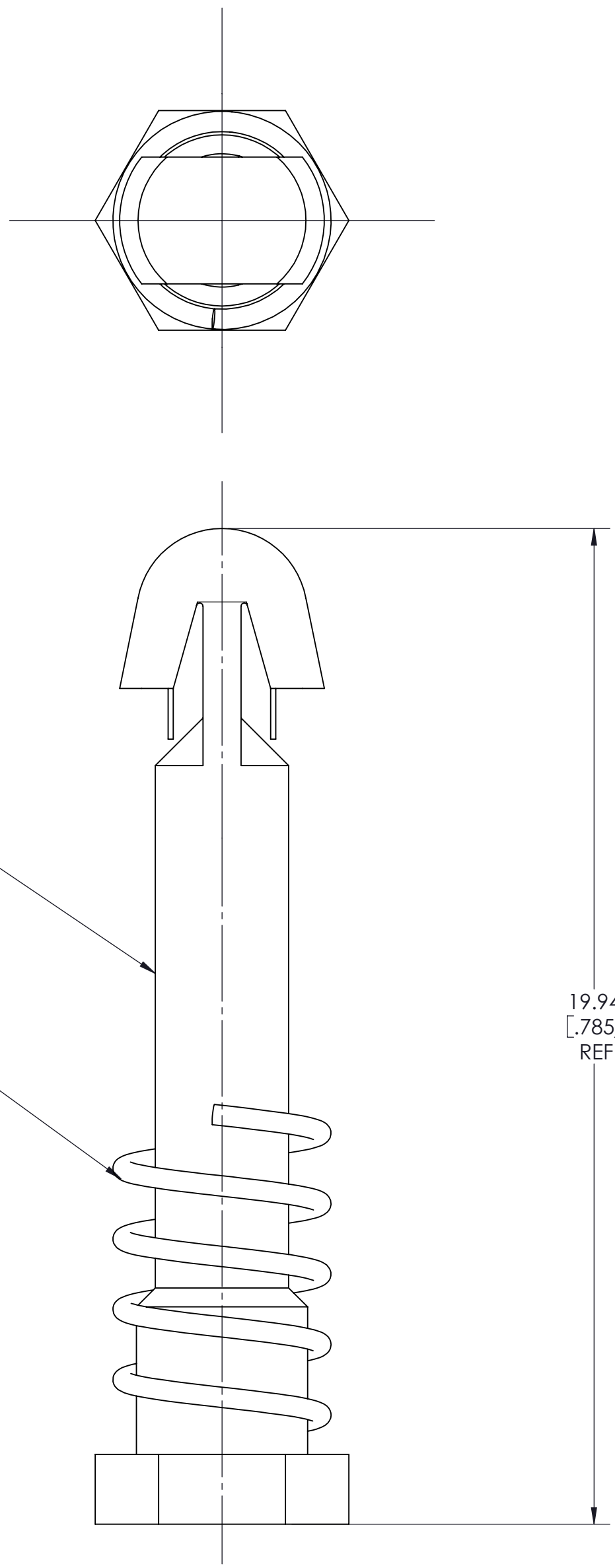
3

2

1

VICOR CONFIDENTIAL
 THIS DOCUMENT AND THE DATA DISCLOSED HEREIN OR
 HEREWITH IS NOT TO BE REPRODUCED, USED OR
 DISCLOSED IN WHOLE OR IN PART TO ANYONE WITHOUT
 THE PERMISSION OF VICOR CORP.

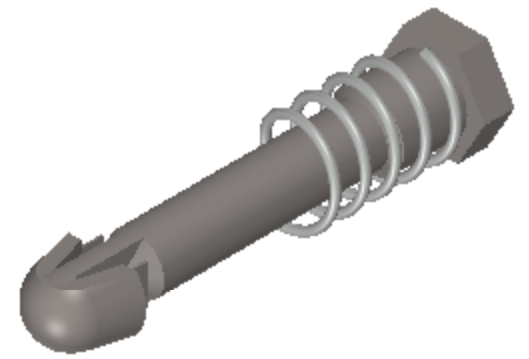
REVISIONS				
REV	DESCRIPTION	DATE	APPROVED	
1	RELEASED PER E071774	JS 04/15/07	REJH	
2	REVISED PER E100991	KUK 08/10/10	DCS	



SEE NOTE 1

SPRING RATE = 1.6 N/MM [9 LB/IN]

19.94
 [.785]
 REF



- NOTES:
1. FOR A LIST OF PARTS SEE BOM NO. 33625
 2. ITEM 1 IS GRAY.
 3. RoHS COMPLIANT PER CST-0001 LATEST REVISION.

DRAWN R.E.J.HICKEY		DATE 03/14/07				ASSY DWG GRAY PIN VIC JLEAD PUSH PIN (19.9 MM)	
MATERIAL		<small>UNLESS OTHERWISE SPECIFIED DIMENSIONS ARE MM [INCH] TOLERANCES ARE: DECIMALS ANGLES X.XX [X.X] = ±0.01 [0.25] ±1° X.XXX [X.XX] = ±0.005 [0.127]</small>					
FINISH		THIRD ANGLE PROJECTION 		SIZE C	CAGE CODE 67131	DWG NO 33630	REV 2
DO NOT SCALE DRAWING				SCALE 10 : 1		SHEET 1 OF 1	

8

7

6

5

4

3

2

1