

NOTES:
 1. MATERIALS AND FINISHES:
 BODY - BRASS, NICKEL PLATING
 CONTACT - BERYLLIUM COPPER, SILVER PLATING
 INSULATOR - PTFE

2. ELECTRICAL:
 A. DIELECTRIC WITHSTANDING VOLTAGE: 5000 VRMS, MIN.
 B. INSULATION RESISTANCE: 5000 MΩ MIN

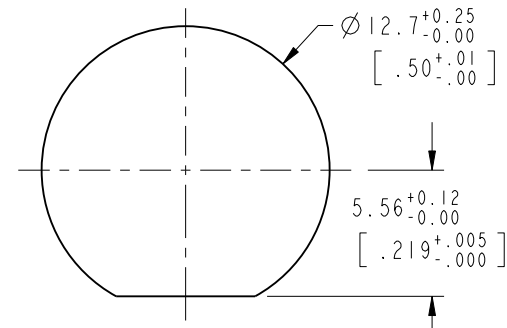
3. MECHANICAL:
 A. DURABILITY: 500 CYCLES MIN.
 B. TEMPERATURE RANGE: -65 °C TO +165 °C

4. PACKAGING:
 A. QUANTITY: SINGLE PACK
 B. MARKING: BAG TO BE MARKED:
 "AMPHENOL, 10400, AND DATE CODE"

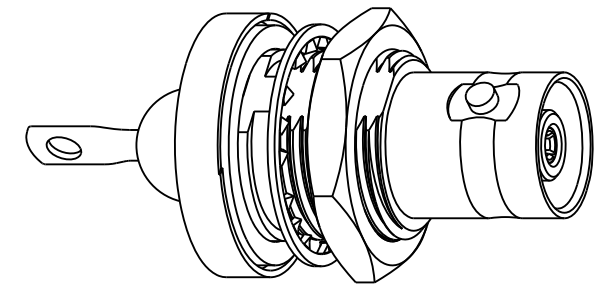
THIRD ANGLE PROJ.

REVISIONS

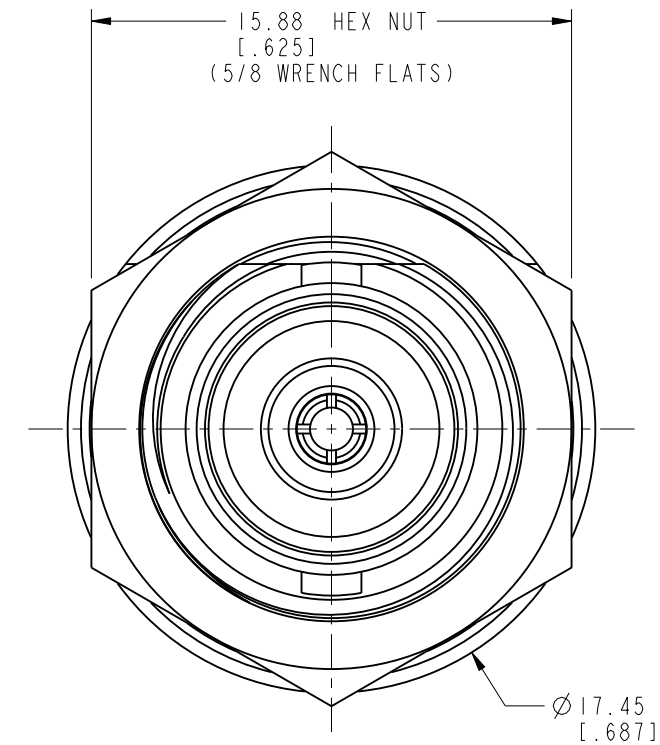
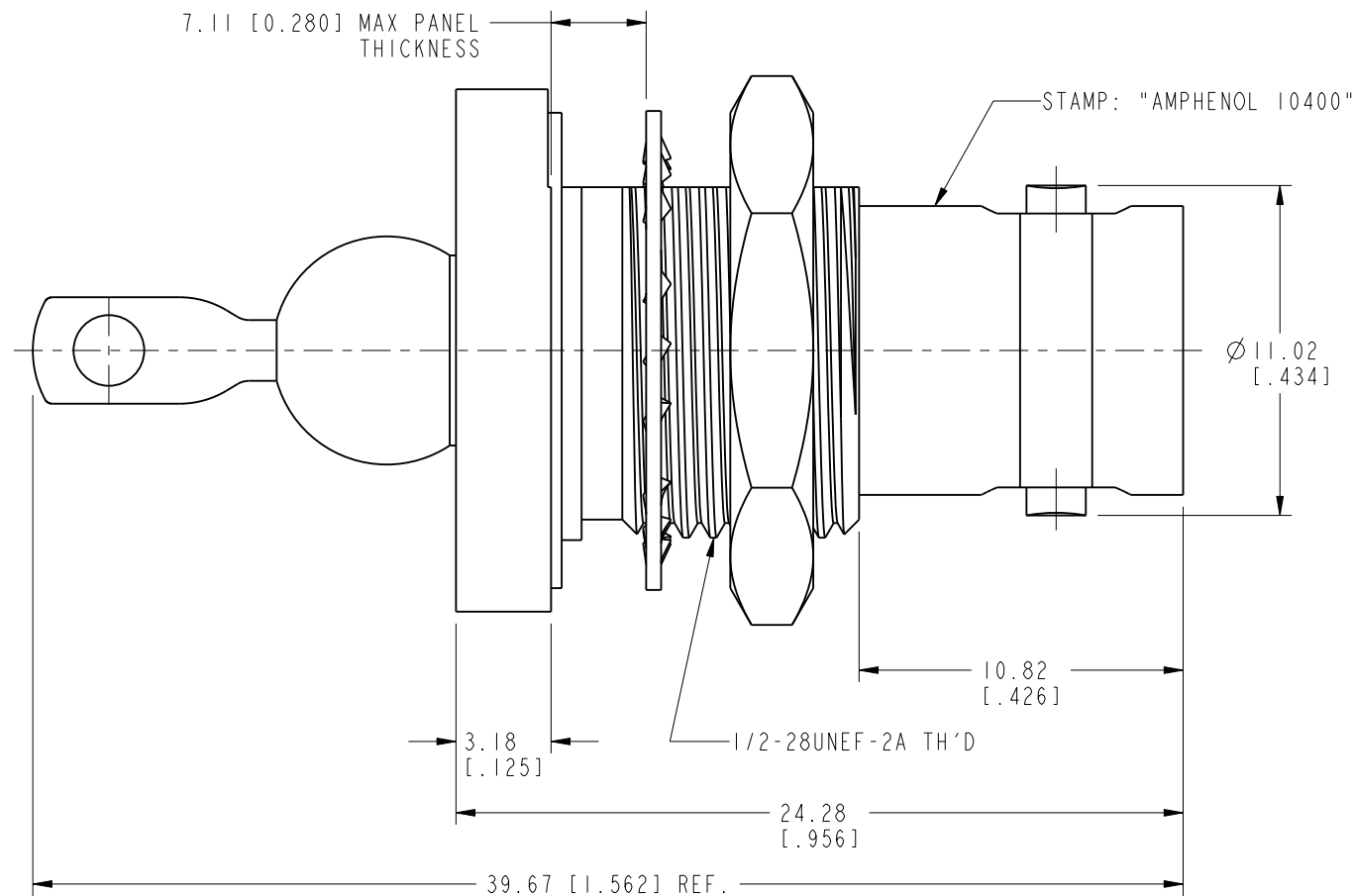
REV	DESCRIPTION	DATE	ECO	APPR
--	RELEASE TO MFG	---	---	---
W	REDRAWN IN PRO-E\RD-DAI2032001T1	29-Mar-12	49008	SH



RECOMMENDED MOUNTING HOLE DIMENSIONS



SCALE 2.000



CUSTOMER OUTLINE DRAWING
 ALL OTHER SHEETS ARE FOR INTERNAL USE ONLY

UNLESS OTHERWISE SPECIFIED, DIMENSIONS ARE IN METRIC AND TOLERANCES ARE:
 <0.5mm ±0.05mm 0.5 - 6mm ±0.1mm 6 - 30mm ±0.2mm 30 - 120mm ±0.3mm ANGLES ±1°

NOTICE - These drawings, specifications, or other data (1) are, and remain the property of Amphenol corp. (2) must be returned upon request; and (3) are confidential and not to be disclosed to any person other than those to whom they are given by Amphenol Corp. the finishing of these drawings, specifications, or other data by Amphenol Corp., or to any other person to anyone for any purpose is not to be regarded by implication or otherwise in any manner licensing, granting rights to permitting such holder or any other person to manufacture, use or sell any product, process or design, patented or otherwise, that may in any way be related to or disclosed by said drawings, specifications, or other data.

MATERIAL SEE NOTES	DRAWN T. DENG	DATE 26-Mar-12
REFERENCE	ENGINEER HH	DATE 19-Dec-60
CONFIGURATION LEVEL:	APPROVED S. HSIEH	DATE 29-Mar-12
FINISH	CAD FILE	

TITLE MHV TYPE PRESSURIZED RECEPTACLE 5000 VOLTS
SCALE: 4.0:1.0 SHEET 2 OF 2
DWG SIZE B
REV W

Amphenol RF www.amphenolrf.com	
DRAWING NO. 10400	
ITEM NO. 10400	
PART NO. 10400	