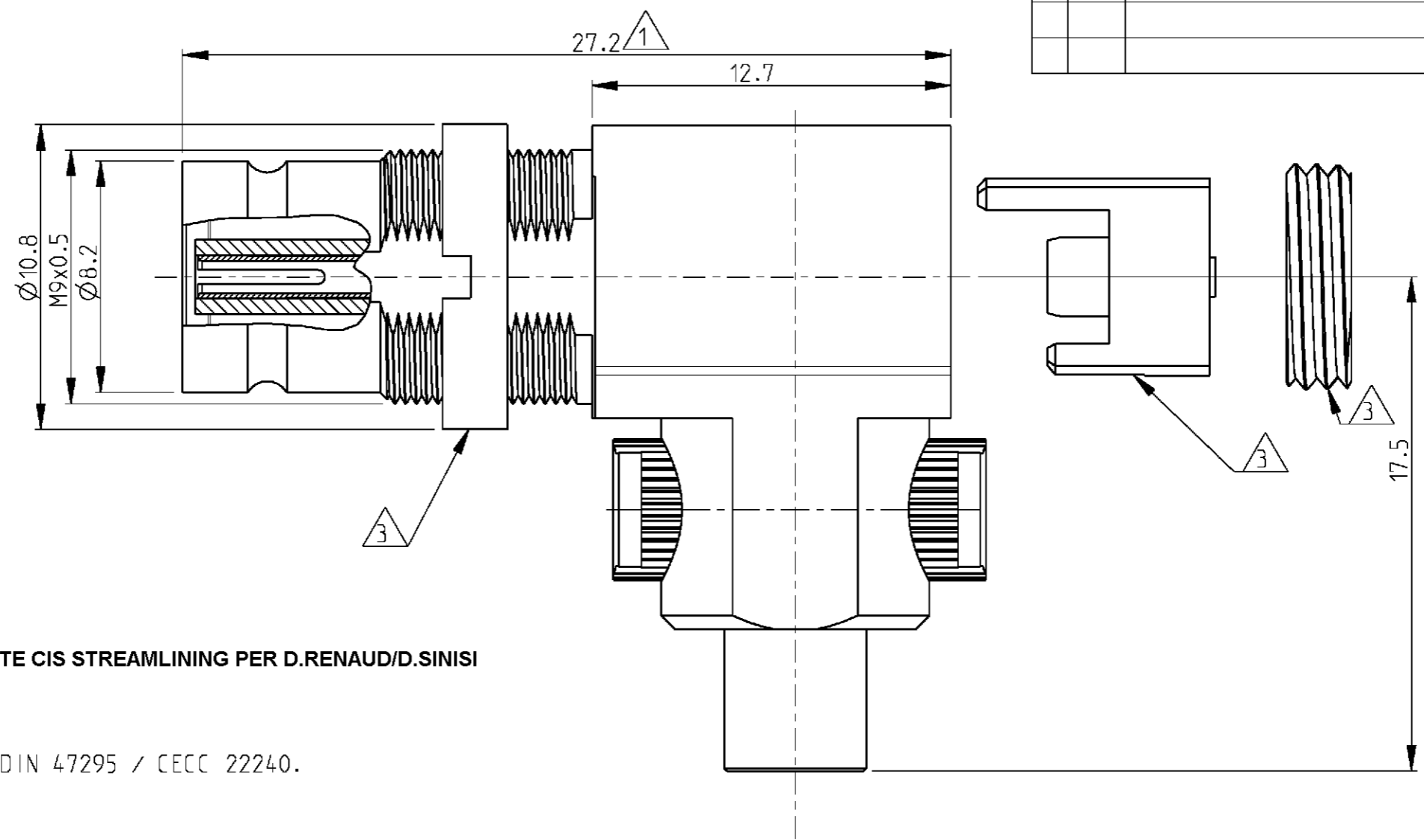
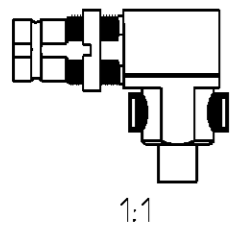
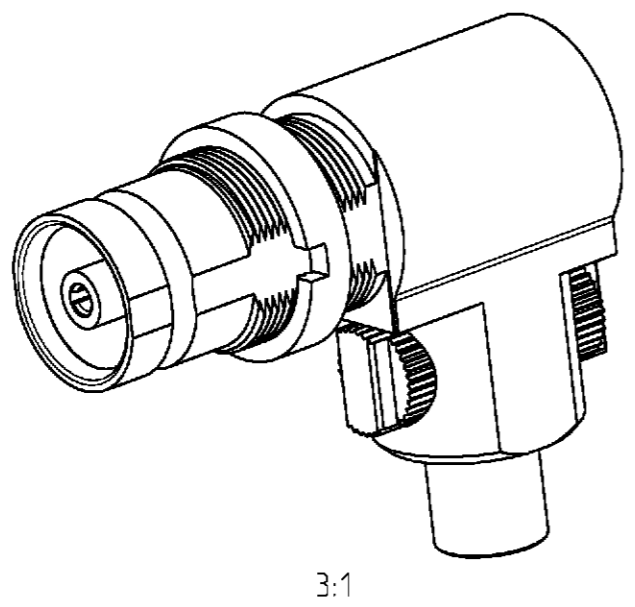


THIS DRAWING IS UNPUBLISHED. RELEASED FOR PUBLICATION 2000
 © COPYRIGHT 2000 BY TYCO ELECTRONICS CORPORATION. ALL RIGHTS RESERVED.

LOC	DIST	REVISIONS				
P	LTR	DESCRIPTION	DATE	DWN	APVD	
GW	-	A	-	05APR2001	BL	KM
		A1	REVISED PER ECO-09-026495	30NOV09	KK	AEG



- 6 OBSOLETE PARTS: OBSOLETE CIS STREAMLINING PER D.RENAUD/D.SINISI
- 5 Packed in tray
- 4) Mating face according to DIN 47295 / CECC 22240.
- 3 Supplied as loose part
- 2) All dimensions are maximum
- 1 Dimension when fully constrained.

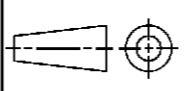


<small>THIS DRAWING IS A CONTROLLED DOCUMENT FOR TYCO ELECTRONICS CORPORATION IT IS SUBJECT TO CHANGE AND THE CONTROLLING ENGINEERING ORGANIZATION SHOULD BE CONTACTED FOR THE LATEST REVISION.</small>		DWN B. Lenvain 29MAR2001 CHK K. Mattheeuws 05APR2001 APVD R. Leeman 05APR2001		tyco Tyco Electronics Electronics Oostkamp - Belgium	
DIMENSIONS: mm 		TOLERANCES UNLESS OTHERWISE SPECIFIED: 0 PLC ± 1 PLC ±± 2 PLC ±±± 3 PLC ±±±± 4 PLC ANGLES ±		NAME Right angled cable jack 1.6/5.6 with IDC connection	
MATERIAL -		FINISH -		PRODUCT SPEC - APPLICATION SPEC 114-71027 WEIGHT -	
CUSTOMER DRAWING				SIZE A3 CAGE CODE 00779	DRAWING NO ©-1-1393757-6 RESTRICTED TO -
SCALE 5/1				SHEET 1 OF 2	REV A1

THIS DRAWING IS UNPUBLISHED. RELEASED FOR PUBLICATION 2000
 © COPYRIGHT 2000 BY TYCO ELECTRONICS CORPORATION. ALL RIGHTS RESERVED.

LOC	DIST	REVISIONS			
P	LTR	DESCRIPTION	DATE	DWN	APVD
	-	SEE SHEET 1	-	-	-

Cross reference table						
Old part number	Tyco part number	Description	Material	Plating	Cable type	
<div style="border: 1px solid black; padding: 5px; text-align: center;"> △ 6 OBSOLETE </div>	<div style="border: 1px solid black; padding: 5px; text-align: center;"> △ 5 </div>	1-1393757-7 <div style="border: 1px solid black; padding: 5px; text-align: center;"> △ 5 </div>	Outer conductor	Brass	1 μm Au min in contact area	02Y (sT) CY 0.45/2.0
			Center conductor	CuBe	1 μm Au min in contact area	
			Dielectric	PEEK/PC	-	
V23612-A811-G76	1-1393757-6	Outer conductor	Brass	1 μm Au min in contact area	02Y (sT) CY 0.45/2.0	
		Center conductor	CuBe	1 μm Au min in contact area		
		Dielectric	PEEK/PC	-		
V23612-A811-A24A	1-1393757-5	Outer conductor	Brass	1 μm Au min in contact area	R1-T 2.0 LI-75 k TZC 75025-315/1.95 FH/HF	
		Center conductor	CuBe	1 μm Au min in contact area		
		Dielectric	PEEK/PC	-		
<div style="border: 1px solid black; padding: 5px; text-align: center;"> △ 6 OBSOLETE </div>	V23612-A811-A24	1-1393757-4 <div style="border: 1px solid black; padding: 5px; text-align: center;"> △ 5 </div>	Outer conductor	Brass	1 μm Au min in contact area	R1-T 2.0 LI-75 k TZC 75025-315/1.95 FH/HF
			Center conductor	CuBe	1 μm Au min in contact area	
			Dielectric	PEEK/PC	-	

THIS DRAWING IS A CONTROLLED DOCUMENT FOR TYCO ELECTRONICS CORPORATION. IT IS SUBJECT TO CHANGE AND THE CONTROLLING ENGINEERING ORGANIZATION SHOULD BE CONTACTED FOR THE LATEST REVISION.		DWN B. Lenvain	29MAR2001	tyco Electronics	Tyco Electronics Oostkamp - Belgium	
DIMENSIONS: mm		CHK K. Mattheeuws	09APR2001		NAME Right angled cable jack 1.6/5.6 with IDC connection	
		APVD R. Leeman	09APR2001	SIZE A3		
		TOLERANCES UNLESS OTHERWISE SPECIFIED: 0 PLC ± 1 PLC ± 2 PLC ± 3 PLC ± 4 PLC ± ANGLES ±		PRODUCT SPEC -	CAGE CODE 00779	DRAWING NO G-1393757-16
MATERIAL -		FINISH -		APPLICATION SPEC -		WEIGHT -
CUSTOMER DRAWING				SCALE 5/1	SHEET 2	OF 2
				REV A1		