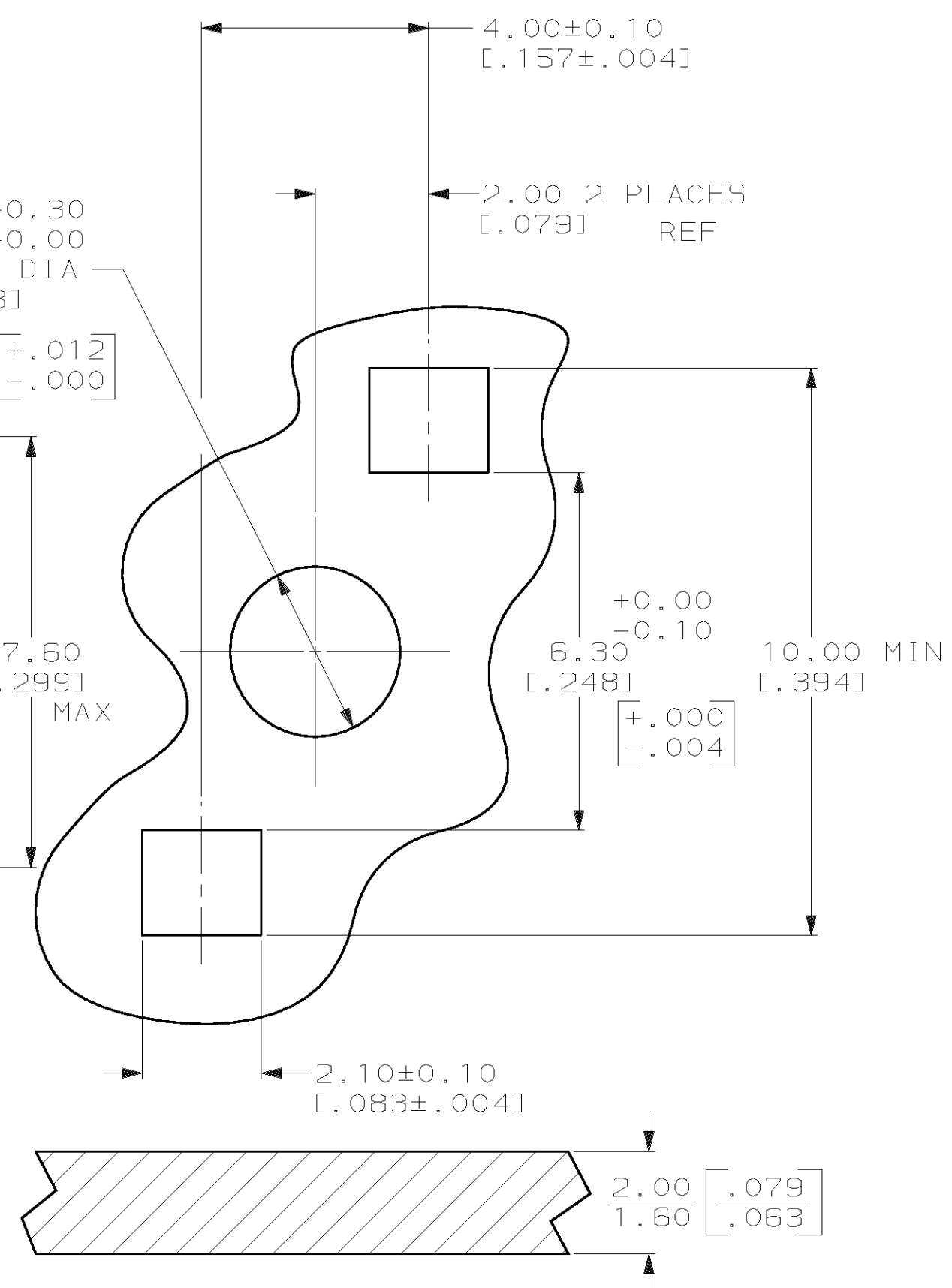
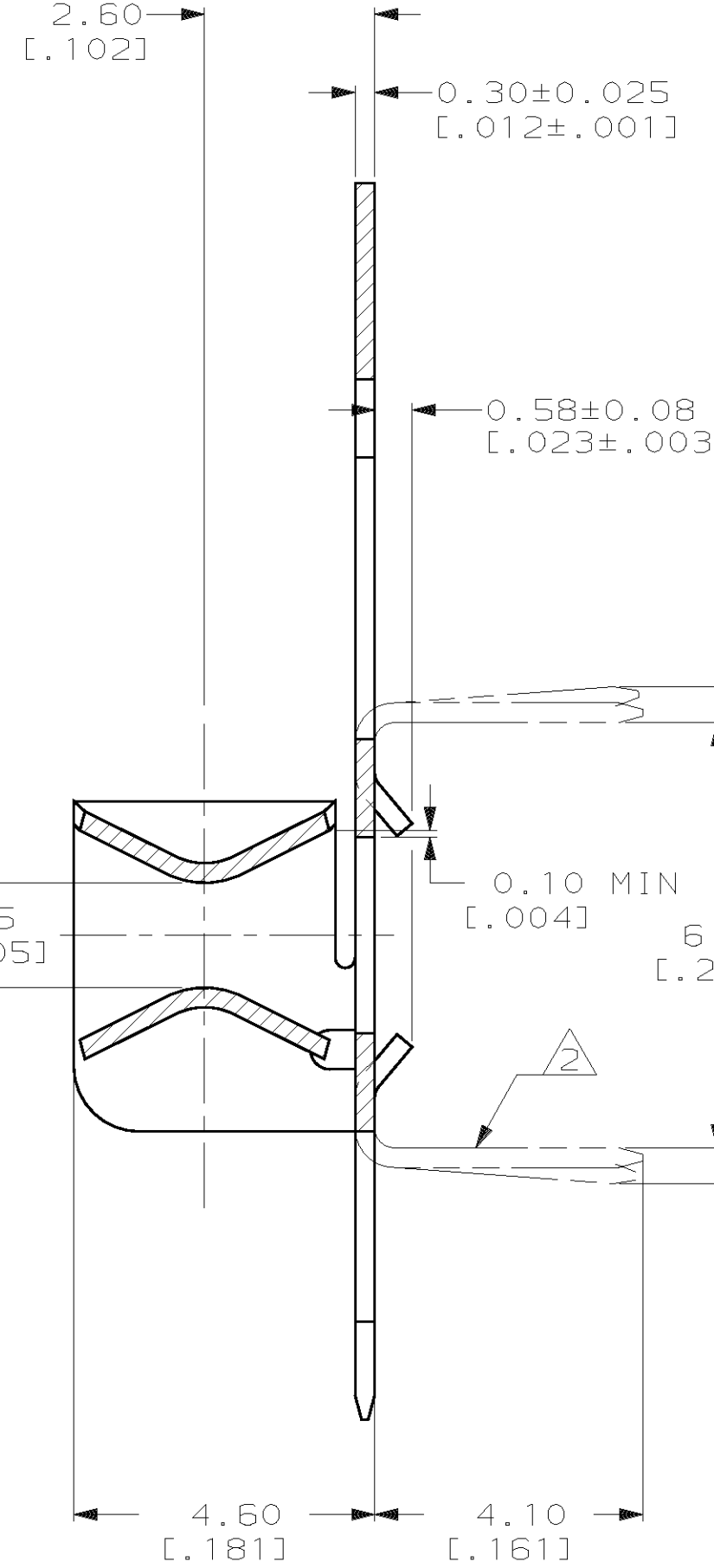
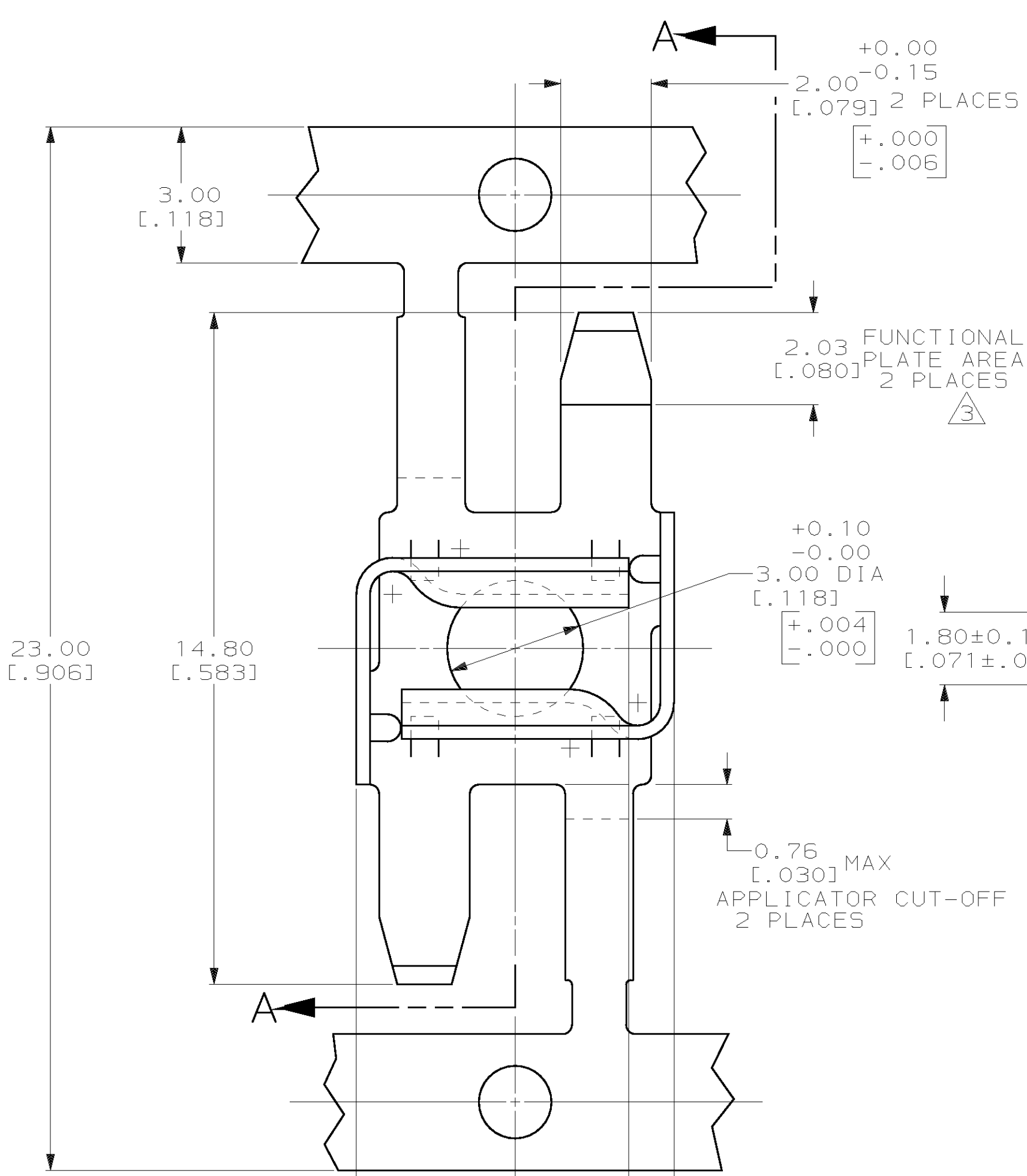


LOC		DIST		ZONE		LTR		REVISIONS		DATE	APPD
AF	50	P	F					D	REV PER 0L10-0306-97	10/NOV/97	PF/JP



SECTION A-A

RECOMMENDED P.C. BOARD LAYOUT



- 1 CONTINUOUS STRIP ON REELS.
- 2 TINES BENT 90° IN APPLICATOR PRIOR TO ASSEMBLY INTO P.C. BOARD.
- 3 0.00508 [.000200] MIN TIN IN FUNCTIONAL PLATE AREA, 0.00254 [.000100] MIN TIN ON REMAINDER.
- 4 PRODUCT COMPLIES WITH AMP SOLDERABILITY SPEC 109-11-5. WHEN PLATED AND 109-11-1 AFTER TWO YEARS OF SHELF LIFE

DO NOT SCALE PRINT. UNLESS SPECIFIED DIMENSIONS IN mm [INCHES] TOLERANCES ON: 2 PLC DEC ± 0.25 [.010] 3 PLC DEC ± - ANGLES ± 1°		DR 2/5/91 P FORTNEY		63572-1 PART NO	
MATERIAL #4 HARD PHOSPHOR BRONZE		CHK 2/5/91 M.S. FEHER		AMP AMP INCORPORATED Harrisburg, Pa. 17105	
FINISH 3		APPD 2/5/91 D SCHWENK		NAME PIN RECEPTACLE, PRINTED CIRCUIT BOARD, 2.50 [.098] DIA	
		APPD 2/5/91 R WEAIVILL		DRAWING NO 63572	
		PRODUCT SPEC -		SIZE C	
		APPLICATION SPEC -		CAGE CODE 00779	
		WEIGHT -		SCALE 10:1	
				SHEET 1 OF 1	