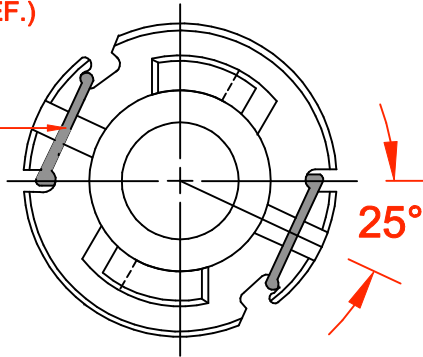
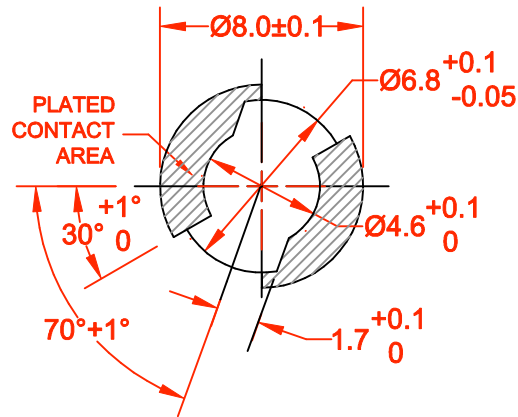


2-LEADS (REF.)

Ø0.25



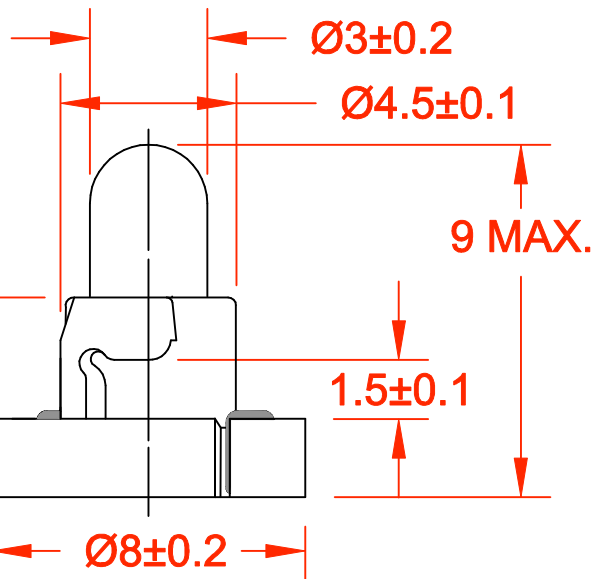
25°



PC BOARD PUNCH PATTERN

(NO TREATMENT SUCH AS APPLICATION OF FLUX, SHALL BE DONE.)

REV.	DESCRIPTION/ECO NO.	DATE
	RELEASED	8/83
A	9.0 TO 9.0 MAX.	9/84
B	8.0 TO 8.0±0.1 AND 1.5±.05	1/85
C	TO 1.5±0.1	
C	4.5 TO 4.5±0.1	2/6/98
D	DRAWING CONVERTED TO CAD-ADD LAMPS CW1240, 8111, CW11, CW145	1/1/00
E	CNW1-7219 C-2F TO C-2V	7/12/00
F	DEGREE DIM. CORRECT. TO PC PATTERN	3/14/01



5.1

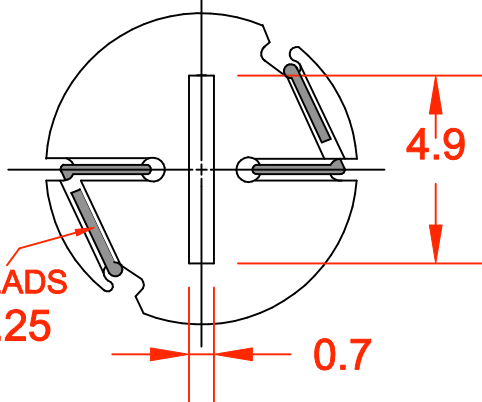
2

1.5±0.1

9 MAX.

Ø8±0.2

2-LEADS
Ø0.25



4.9

0.7

JKL LAMP NUMBER	VOLTS RATED	AMPS ±10%	*MSCP ±25%	*LUMENS ±25%	AVERAGE LIFE HRS.	FILAMENT TYPE
CNW1-8732	2.5	.100	.100	1.25	10,000	C-2R
CNW1-CW27	5.0	.040	.028	0.35	20,000	C-2R
CNW1-683	5.0	.060	.050	0.63	100,000	C-2R
CNW1-715	5.0	.115	.150	1.89	40,000	C-2R
CNW1-7218	10.0	.027	.100	1.26	10,000	C-2F
CNW1-CW44	12.0	.040	.090	1.13	10,000	C-2F
CNW1-7219	12.0	.060	.150	1.89	16,000	C-2V
CNW1-CW1240	14.0	.040	.120	1.51	16,000	C-2F
CNW1-23	14.0	.040	.150	1.89	16,000	C-2F
CNW1-8111	14.0	.065	.150	1.89	16,000	C-2F
CNW1-CW11	14.0	.065	.200	2.51	10,000	C-2F
CNW1-CW145	14.5	.030	.080	1.00	5,000	C-2F
CNW1-7220	18.0	.026	.150	1.89	16,000	C-2F
CNW1-6838	28.0	.024	.150	1.89	16,000	CC-2F

*LAMP RATED ONLY WITHOUT BASE

METRIC THIRD ANGLE PROJECTION	DIMENSIONS ARE IN MILLIMETERS TOLERANCE UNLESS OTHERWISE SPECIFIED 1 PL +/- 0.2 2 PL +/- 0.20 ANGLE +/- 0	JKL COMPONENTS CORPORATION			
	TITLE T-1 NEO-WEDGE BASE WITH MULTIPLE LAMP LISTING				
DRAWN BY L. WENGSTROM	APPVD BY E. D.	DATE 3/14/01	SIZE A	FSCM NO. 55335	DRAWING NO. CNW1-MULTI
- CAD DRAWING - MANUAL REVISIONS NOT PERMITTED			SCALE NONE	RELEASED DATE 8/83	REVISION DATE 3/14/01
				REV. NO. F	SHEET 1 OF 1