

4

3

2

1

THIS DRAWING IS UNPUBLISHED.

RELEASED FOR PUBLICATION

ALL RIGHTS RESERVED.

© COPYRIGHT - BY -

LOC
DW

DIST

REVISIONS

P	LTR	DESCRIPTION	DATE	DWN	APVD
	A1	REVISED PER ECO-11-005301	11APR11	RK	HMR

TE LOGO &
DATE CODE

NOTES:

- MATERIAL:
HOUSING: THERMOPLASTIC (SEE TABLE), WITH 30% GF, UL 94V-0 RATED, COLOR: (SEE TABLE).
CONTACTS: PHOSPHOR BRONZE.
SHIELD: BRASS.
- FINISH:
CONTACT: 0.762 μ m [30 μ "] MIN. GOLD PLATING ON CONTACT AREA.
3.048 μ m [120 μ "] MIN. BRIGHT TIN PLATING ON SOLDER TAILS,
WITH ENTIRE CONTACT UNDERPLATED 1.27 μ m [50 μ "] MIN. NICKEL.
SHIELD: 0.762 μ m [30 μ "] MIN. NICKEL PLATING WITH 0.762 μ m [30 μ "] MIN.
Cu UNDERPLATING OVERALL.

⚠️ REFLOW SOLDER CAPABLE TO 260°C PER TE CONNECTIVITY SPEC 109-201,
CONDITION B.

⚠️ WAVE SOLDER CAPABLE TO 240°C PER TE CONNECTIVITY SPEC 109-202,
CONDITION A.

RECOMMEND P.C.B LAYOUT (THICKNESS=1.6mm)
(COMPONENT SIDE) TOLERANCE±0.05

BLUE PANTONE (285C)	⚠️ PA46	1734086-4
WHITE	⚠️ PA46	1734086-3
BLACK	⚠️ PA46	1734086-2
WHITE	⚠️ PBT	1734086-1
COLOR	HSG. MATERIAL	PART NUMBER

THIS DRAWING IS A CONTROLLED DOCUMENT.

DWN F. YANG 15JUL2009

CHK S. CHIEN 15JUL2009

APVD W. KODAMA 15JUL2009

PRODUCT SPEC

APPLICATION SPEC

108-57549

WEIGHT 3.62 GRAMS

CUSTOMER DRAWING

USB CONNECTOR, B TYPE,
RIGHT ANGLE

DIMENSIONS:

MM

TOLERANCES UNLESS
OTHERWISE SPECIFIED:

0 PLC	± -
1 PLC	± 0.3
2 PLC	± 0.2
3 PLC	± 0.15
4 PLC	± -
ANGLES	± 3°

MATERIAL

SEE NOTE

FINISH

SEE NOTE

NAME

SIZE

CAGE CODE

DRAWING NO

RESTRICTED TO

SCALE

SHEET

REV

A3

00779

C=1734086

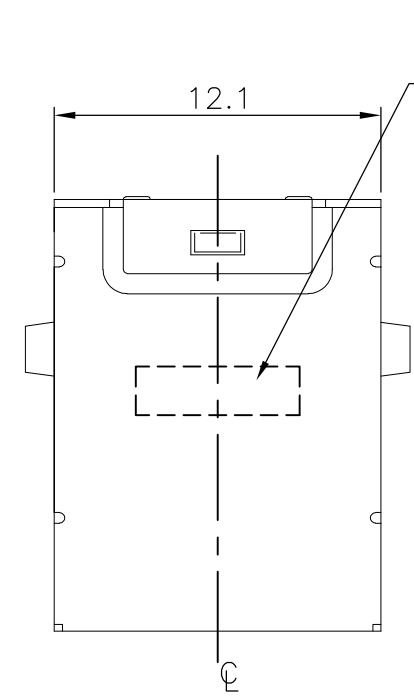
1 OF 4

A1

1470-19 (3/11)

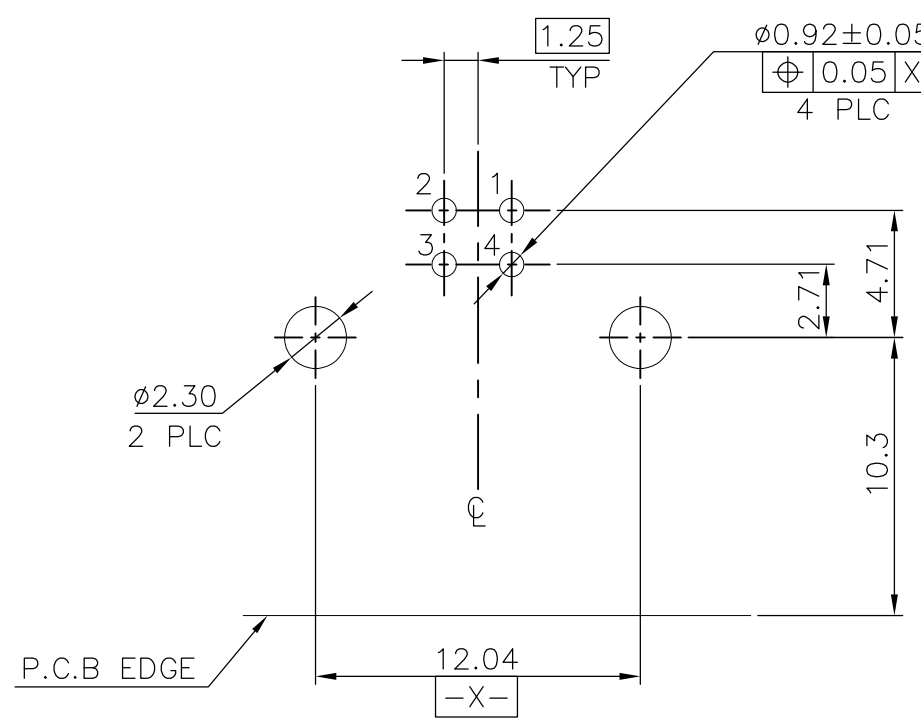
THIS DRAWING IS UNPUBLISHED. RELEASED FOR PUBLICATION
 © COPYRIGHT - BY - ALL RIGHTS RESERVED.

LOC	DIST	REVISIONS					
DW		P	LTR	DESCRIPTION	DATE	DWN	APVD
				SEE SHEET 1.			

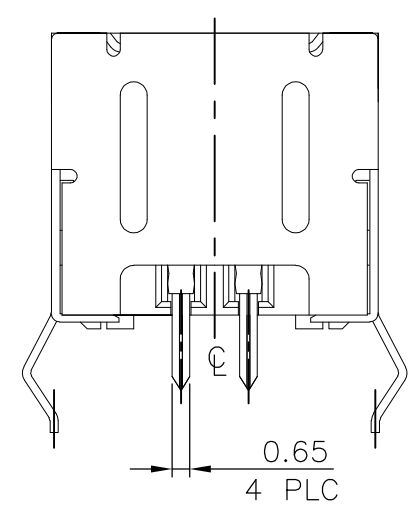
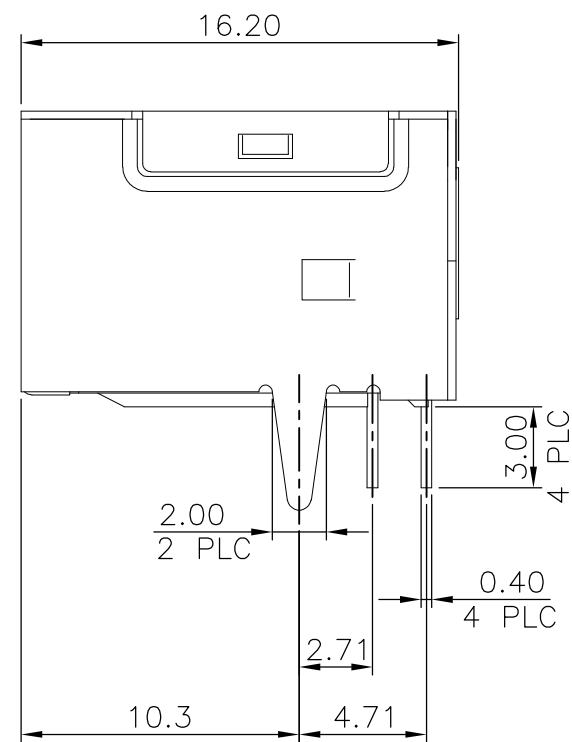
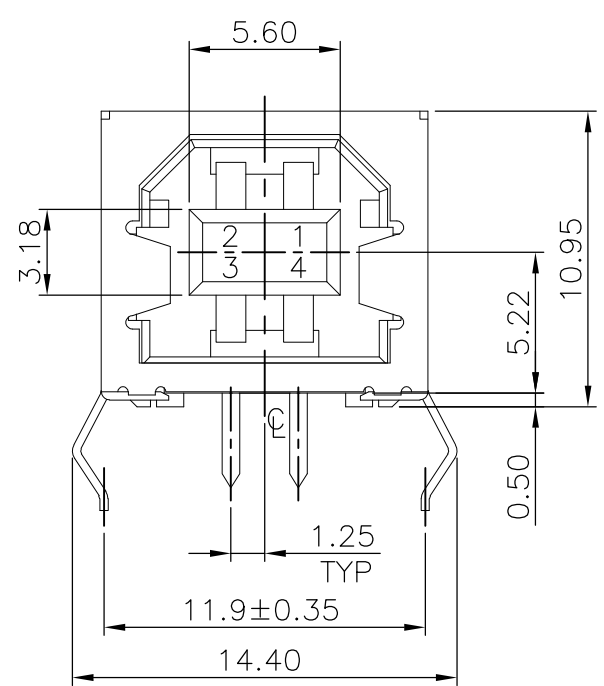


TE LOGO &
DATE CODE

- NOTES:
- MATERIAL:
 HOUSING: THERMOPLASTIC (SEE TABLE), WITH 30% GF, UL 94V-0 RATED, COLOR: (SEE TABLE).
 CONTACTS: PHOSPHOR BRONZE.
 FRONT SHIELD: BRASS.
 REAR SHIELD: SPCC.
 - FINISH:
 CONTACT: 0.762µm [30µ"] MIN. GOLD PLATING ON CONTACT AREA.
 3.048µm [120µ"] MIN. BRIGHT TIN PLATING ON SOLDER TAILS,
 WITH ENTIRE CONTACT UNDERPLATED 1.27µm [50µ"] MIN. NICKEL.
 FRONT SHIELD: 0.762µm [30µ"] MIN. NICKEL PLATING WITH 0.762µm [30µ"] MIN.
 Cu UNDERPLATING OVERALL.
 REAR SHIELD: 0.762µm [30µ"] MIN. NICKEL PLATING WITH
 0.762µm [30µ"] MIN. Cu UNDERPLATING OVERALL.
- ⚠ REFLOW SOLDER CAPABLE TO 260°C PER TE CONNECTIVITY SPEC 109-201, CONDITION B.
 ⚠ WAVE SOLDER CAPABLE TO 240°C PER TE CONNECTIVITY SPEC 109-202, CONDITION A.



RECOMMEND P.C.B LAYOUT (THICKNESS=1.6mm)
(COMPONENT SIDE) TOLERANCE±0.05



BLACK	⚠ PA46	1-1734086-2
WHITE	⚠ PBT	1-1734086-1
COLOR	HSG. MATERIAL	PART NUMBER

THIS DRAWING IS A CONTROLLED DOCUMENT.		DWN	STE TE Connectivity		
DIMENSIONS: MM		CHK			
TOLERANCES UNLESS OTHERWISE SPECIFIED:		APVD	NAME		
0 PLC ± -		PRODUCT SPEC	USB CONNECTOR, B TYPE, RIGHT ANGLE		
1 PLC ± 0.3		APPLICATION SPEC	SIZE	CAGE CODE	DRAWING NO
2 PLC ± 0.2			A3	00779	C=1734086
3 PLC ± 0.15			RESTRICTED TO		
4 PLC ± -			-		
ANGLES ± 3°		WEIGHT	SCALE		
MATERIAL SEE NOTE		3.62 GRAMS	-		
FINISH SEE NOTE		CUSTOMER DRAWING	SHEET	REV	
			2 OF 4	A1	

4

3

2

1

THIS DRAWING IS UNPUBLISHED.

RELEASED FOR PUBLICATION

- . .

© COPYRIGHT - BY -

ALL RIGHTS RESERVED.

LOC
DW

DIST

REVISIONS

P	LTR	DESCRIPTION	DATE	DWN	APVD
		SEE SHEET 1.			

TE LOGO &
DATE CODE

NOTES:

- MATERIAL:
HOUSING: THERMOPLASTIC (SEE TABLE), WITH 30% GF, UL 94V-0 RATED,
COLOR: (SEE TABLE).
CONTACTS: PHOSPHOR BRONZE.
SHIELD: BRASS.
- FINISH:
CONTACT: 0.762µm [30µ"] MIN. GOLD PLATING ON CONTACT AREA.
3.048µm [120µ"] MIN. BRIGHT TIN PLATING ON SOLDER TAILS,
WITH ENTIRE CONTACT UNDERPLATED 1.27µm [50µ"] MIN. NICKEL.
SHIELD: 0.762µm [30µ"] MIN. NICKEL PLATING WITH
0.762µm [30µ"] MIN. Cu UNDER PLATING OVERALL.

3 REFLOW SOLDER CAPABLE TO 260°C PER TE CONNECTIVITY SPEC. 109-201, CONDITION B.

4 WAVE SOLDER CAPABLE TO 240°C PER TE CONNECTIVITY SPEC. 109-202, CONDITION A.

RECOMMEND P.C.B LAYOUT (THICKNESS=1.6mm)
(COMPONENT SIDE) TOLERANCE±0.05

BLACK	PA46	2-1734086-2
WHITE	PBT	2-1734086-1
COLOR	HSG. MATERIAL	PART NUMBER

THIS DRAWING IS A CONTROLLED DOCUMENT.

DWN

CHK

APVD

PRODUCT SPEC

APPLICATION SPEC

WEIGHT 3.62 GRAMS

CUSTOMER DRAWING

DIMENSIONS:
MM

MATERIAL

SEE NOTE

TOLERANCES UNLESS
OTHERWISE SPECIFIED:

0 PLC	± -
1 PLC	± 0.3
2 PLC	± 0.2
3 PLC	± 0.15
4 PLC	± -
ANGLES	± 3°

FINISH

SEE NOTE

TE Connectivity

NAME

USB CONNECTOR, B TYPE,
RIGHT ANGLE

SIZE

CAGE CODE

DRAWING NO

RESTRICTED TO

A3

00779

C=1734086

SCALE

SHEET

3 OF 4

REV

A1

1470-19 (3/11)

4

3

2

1

THIS DRAWING IS UNPUBLISHED.

RELEASED FOR PUBLICATION

ALL RIGHTS RESERVED.

© COPYRIGHT - BY -

LOC

DIST

REVISIONS

DW

P

LTR

DESCRIPTION

DATE

DWN

APVD

SEE SHEET 1.

5.08 Kg	3.62 Kg	100	10	1000 PCS
GROSS WEIGHT	NET WEIGHT	PCS/TRAY	TRAYS/BOX	QUANTITY

THIS DRAWING IS A CONTROLLED DOCUMENT.		DWN	STE TE Connectivity		
DIMENSIONS: MM		CHK			
TOLERANCES UNLESS OTHERWISE SPECIFIED:		APVD	NAME		
0 PLC ± -		PRODUCT SPEC	USB CONNECTOR, B TYPE, RIGHT ANGLE		
1 PLC ± -		APPLICATION SPEC	SIZE	CAGE CODE	DRAWING NO
2 PLC ± -			A3	00779	C=1734086
3 PLC ± -			RESTRICTED TO		
4 PLC ± -		WEIGHT	-		
ANGLES ± -		CUSTOMER DRAWING	SCALE	SHEET	REV
FINISH			-	4 OF 4	A1

1470-19 (3/11)