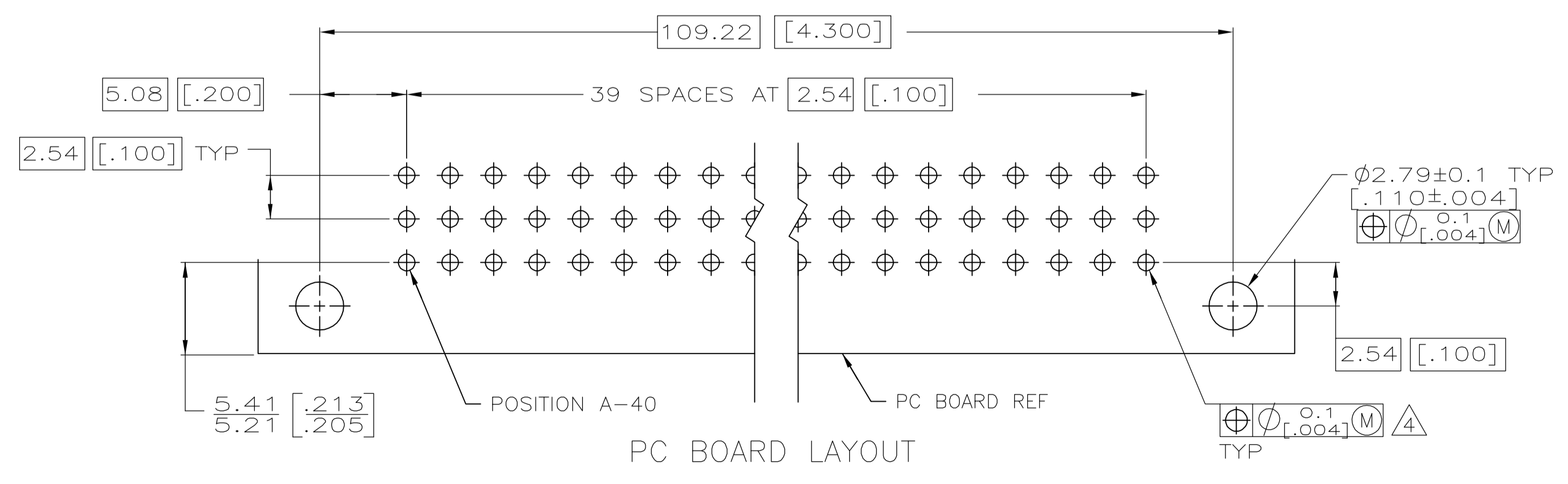
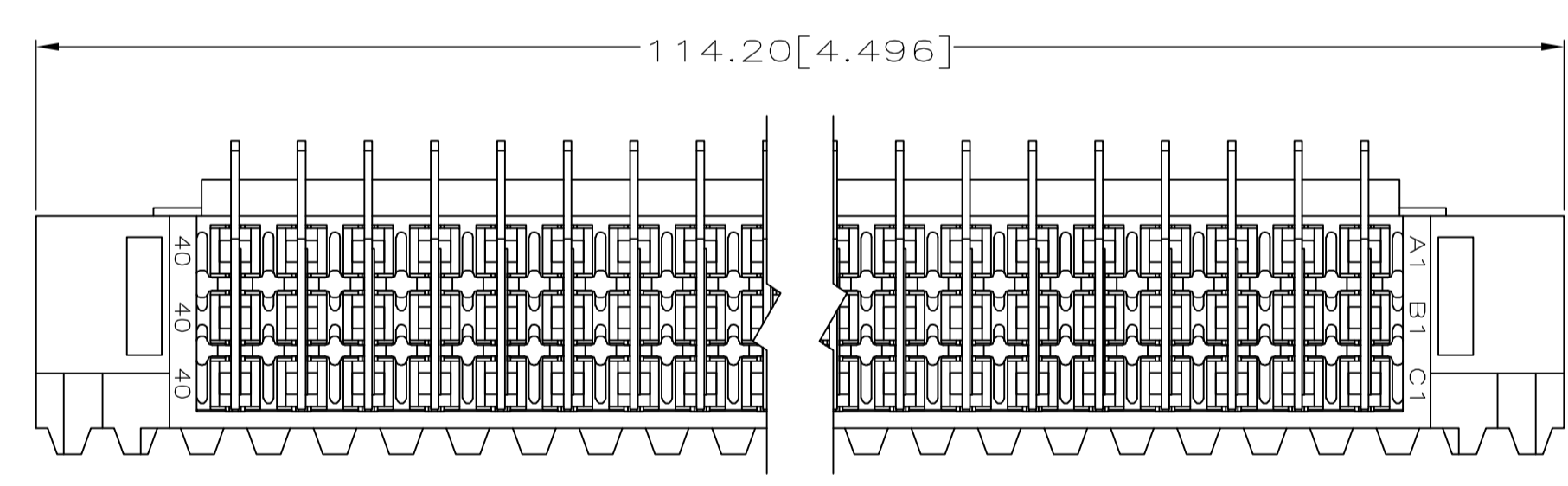
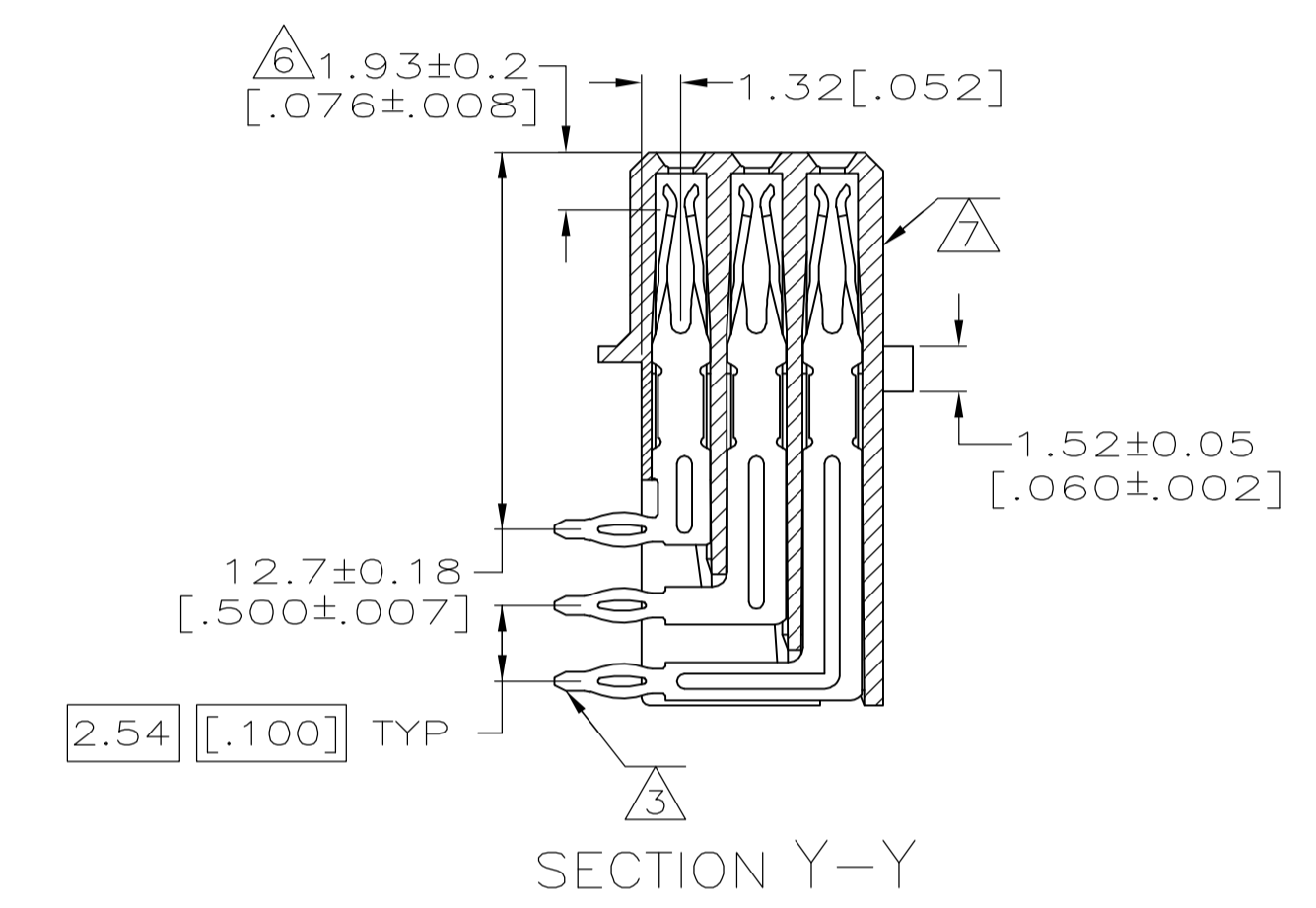
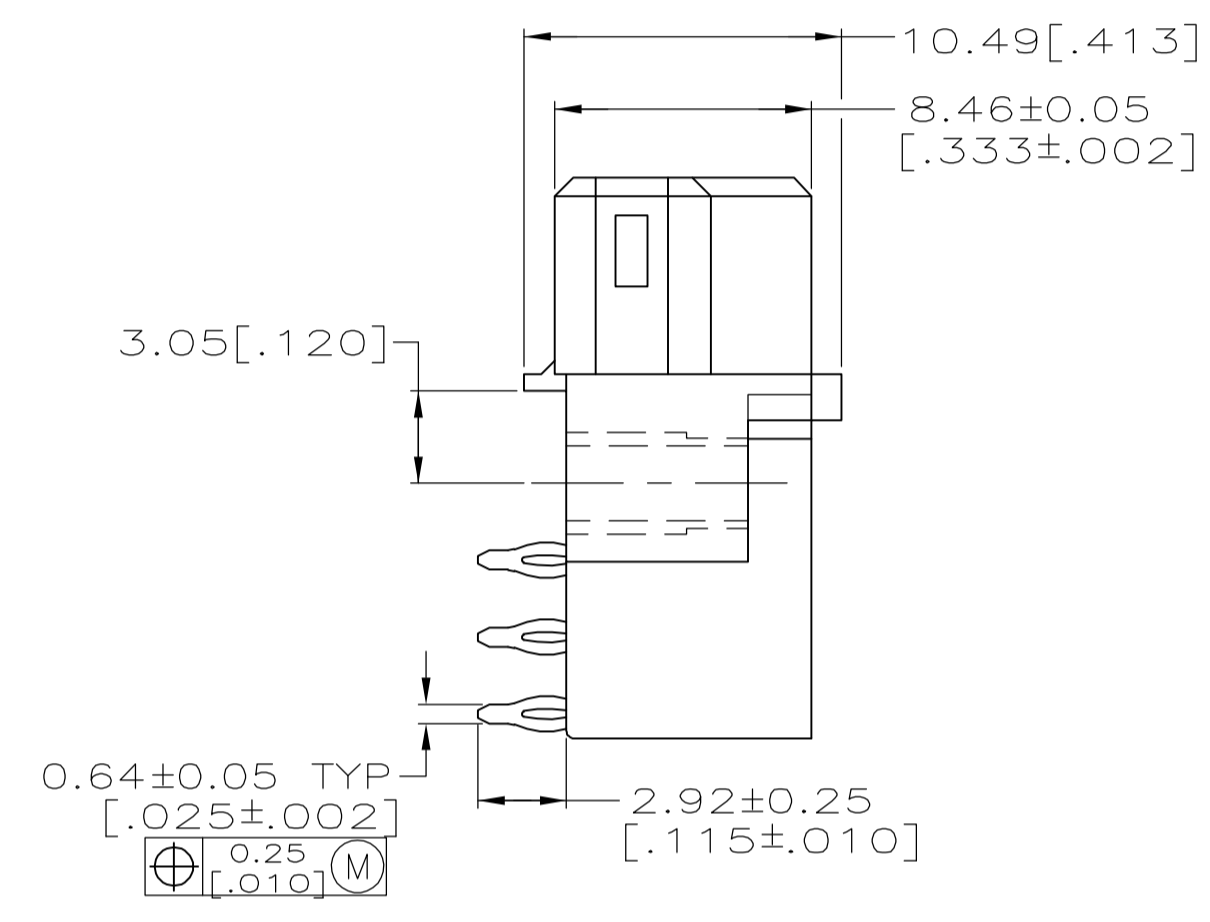
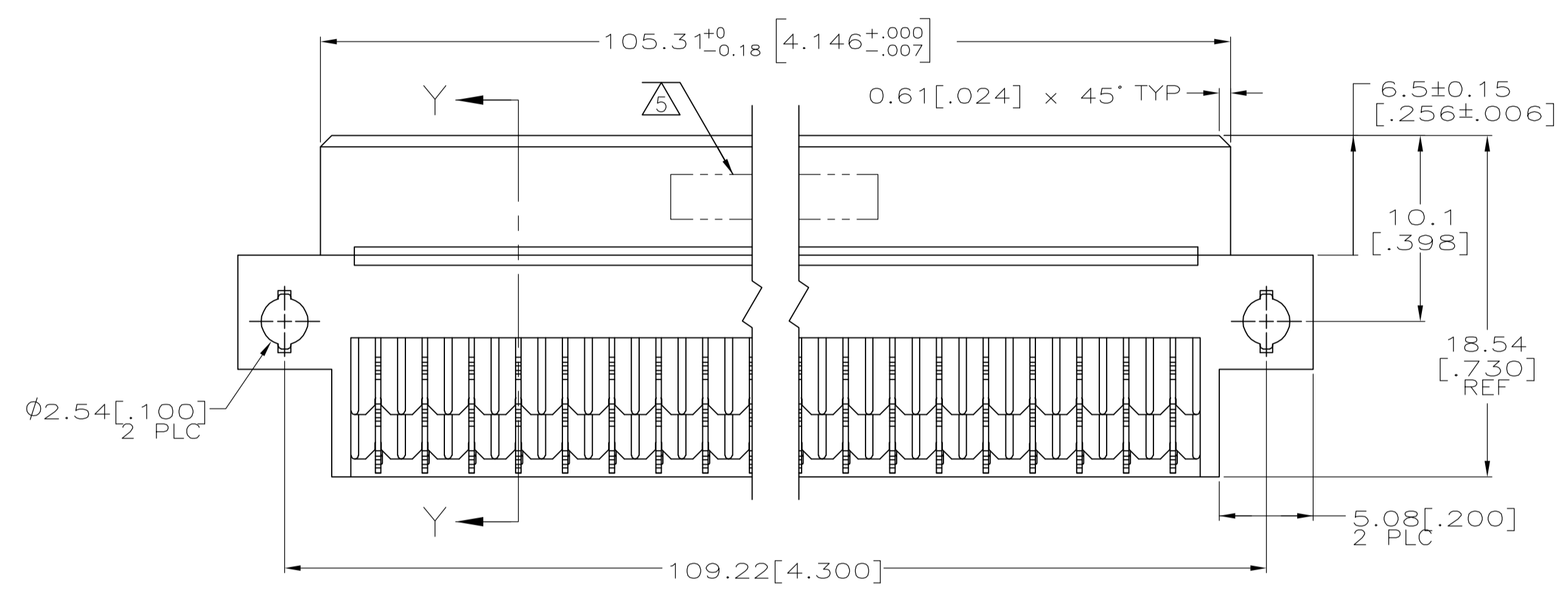


- △ HOUSING MATERIAL: GLASS-FILLED POLYMER.
- △ CONTACT MATERIAL: COPPER ALLOY.
- △ CONTACT FINISH: DIN 41612 CLASS 2 IN CONTACT AREA. TIN PLATE ON POSTS.
- △ COMPLIANT PIN REQUIRES 1.57[.062] MINIMUM THICK PC BOARD. RECOMMENDED PC BOARD HOLES ARE $\phi 1.151 \pm 0.025$ [.0453±.0010] DRILLED HOLES WITH 0.02-0.08[.001-.003] COPPER AND 0.008[.0003] MINIMUM TIN-LEAD PLATING. FINISHED HOLES AFTER PLATING, $\phi 0.94-1.09$ [.037-.043].
- △ PART NUMBER, DATE CODE IDENTIFICATION, CSA LOGO, THIS APPROXIMATE AREA.
- △ CONTACT POINT.
- △ MARKING ON THIS SIDE.



5148360-5
PART NUMBER

THIS DRAWING IS A CONTROLLED DOCUMENT.		DIN J. POLIGNONE	03JUN05	 Tyco Electronics Corporation Harrisburg, PA 17105-3608
DIMENSIONS: mm [INCHES]		CIK A. SHARPE	03JUN05	
TOLERANCES UNLESS OTHERWISE SPECIFIED:		APVD A. SHARPE	03JUN05	NAME
0 PLC	± -	PRODUCT SPEC		ASSEMBLY, RECEPTACLE, EUROCARD, TYPE R, 120 POSITION
1 PLC	± -	APPLICATION SPEC		2.92[.115] PRESS-FIT
2 PLC	± 0.13[.005]	SIZE	CAGE CODE	DRAWING NO
3 PLC	± -	—	—	00779
4 PLC	± -	WEIGHT	—	5148360
ANGLES	± -	CUSTOMER DRAWING	SCALE	4:1
MATERIAL	FINISH	RESTRICTED TO		SHEET 1 OF 1
△ 2	△ 3	REV		0