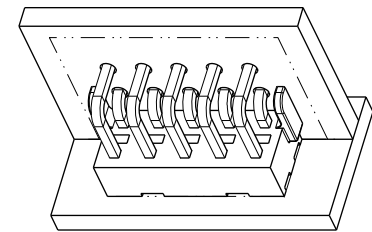
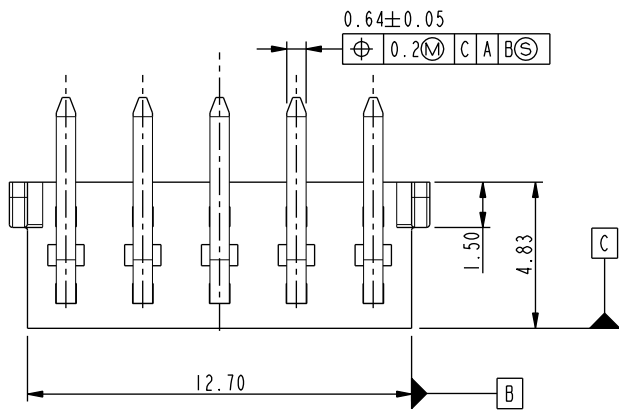
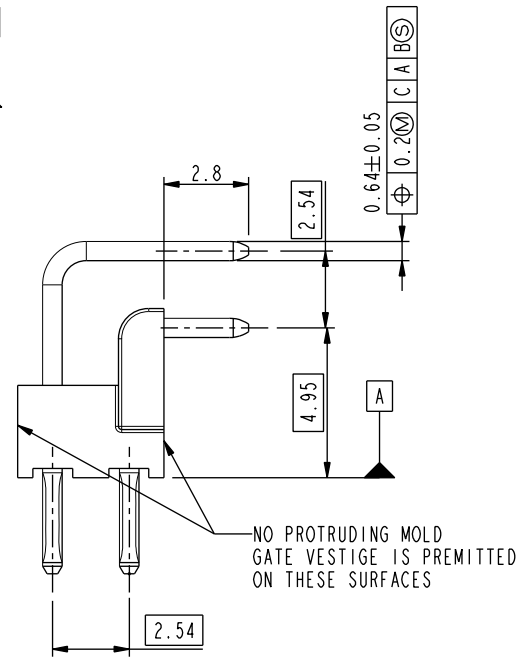
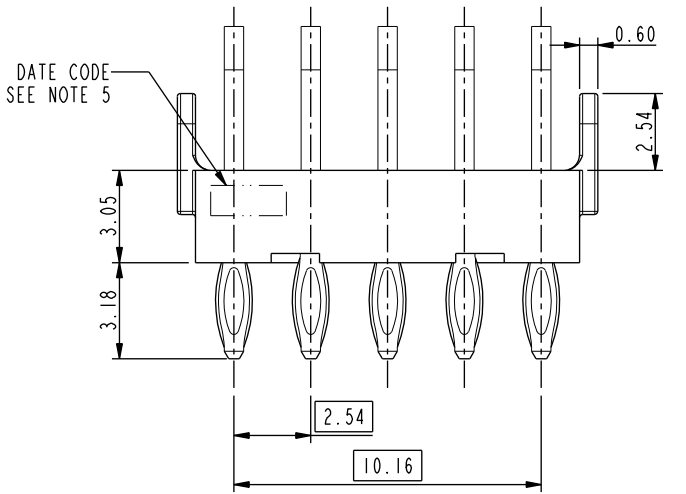
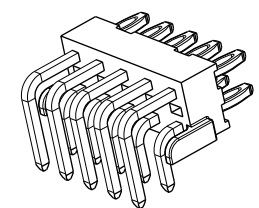


PART NUMBER

10118901-001LF



SCALE 2:1



Copyright FCI.

spec ref	*	dr	KENNY TAI	2011-08-15	projection 	MM ←→	size	A4	scale	4:1	
tolerance std	TOLERANCES UNLESS OTHERWISE SPECIFIED	eng	KENNY TAI	2011-08-15			ecn no	-			
		chr	KENNY TAI	2011-08-15							
surface	✓	appr	GARY HSIEH	2011-08-15	product family	-	rel level	Released			
linear	0.X	±0.3		title	R/A, COMBO WITH PIP & PF		dwg no	10118901		rev	A
	0.XX	±0.13			BERGSTIK HEADER CONNECTOR						
0.XXX	±	cat. no.			10118901	Product - Customer Drw		sheet 1 of 2			
angular	0°	±2°	www.fci.com								

ProjE File - REV C - 2009-06-09



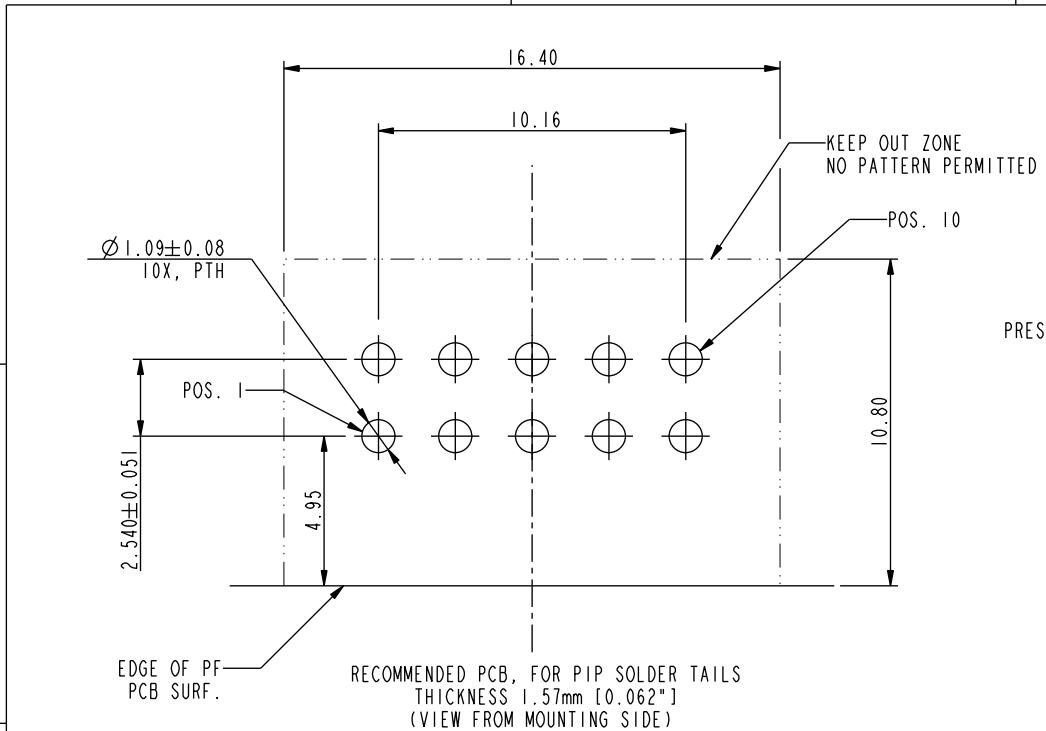
Copyright FCI.

A

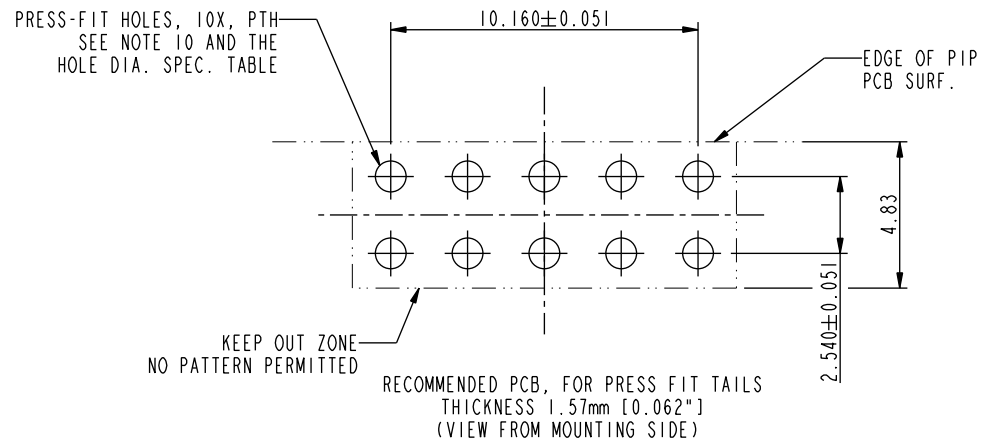
B

C

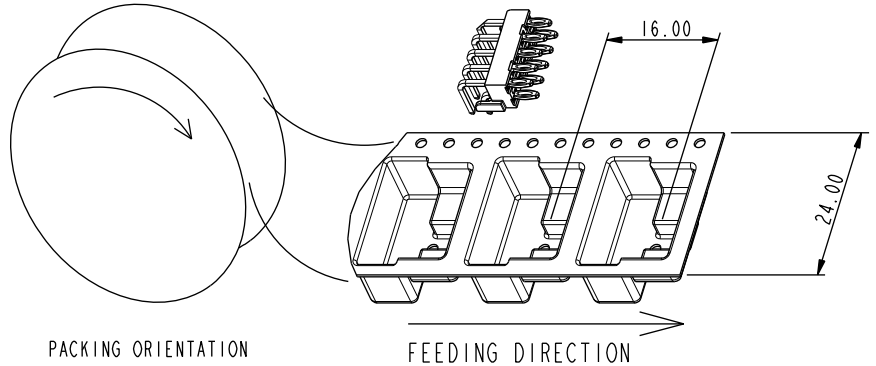
D



Product No.	Description	Press-Fit Hole Specification	
		Inches	MM
10118901-001LF	Electroless Nickel Immersion Gold Plated	Ø0.0410±0.002	Ø1.041±0.051
* Ensure 0.0014" ± 0.001" Thickness of Cu Plating			



- NOTES FOR CONNECTOR:
- HOUSING MATERIAL: HIGH TEMPERATURE THERMOPLASTIC, BLACK. UL 94V-0, FLAME RETARDANT.
 - TERMINAL: COPPER ALLOY.
 - PLATING:
Ni: 50 u"/1.27um UNDERPLATED.
Sn: 50 u"/1.27um ON SOLDER TAILS & PRESS FIT TAILS.
 - THE CONNECTOR CAN WITHSTAND 260°C PEAK TEMPERATURE 10 SECONDS FOR REFLOW PROCESS.
 - DATE CODE PRINTED ON THIS AREA. DATE CODE FORMAT: WWYY (WEEK + YEAR)
 - PRODUCT SPECIFICATION SEE GS-12-631.
 - PACKAGE: 730 PCS PER 15" REEL. PACKAGED PER GS-14-1429.
- NOTES FOR PCB:
- ALL THROUGH HOLES ARE LOCATED WITH A TRUE POSITION OF 0.1mm.
 - ALL DIAMETERS ARE FINISHED HOLE SIZES.
 - SEE THE TABLE FOR COMPLIANT (PRESS-FIT) HOLE DIMENSIONS.



dr	KENNY TAI	2011-08-15	projection 	MM	size	A4	scale	1:1
eng	KENNY TAI	2011-08-15			ecn no	-		
chr	KENNY TAI	2011-08-15			rel level	Released		
appr	GARY HSIEH	2011-08-15	product family	-	rev	A		
	title	R/A, COMBO WITH PIP & PF BERGSTIK HEADER CONNECTOR		dwg no	10118901		sheet	2 of 2
www.fci.com	cat. no.	10118901	Product - Customer Drw		sheet 2 of 2			