

LOC ES DIST 00

REVISIONS

P	LTR	DESCRIPTION	DATE	DWN	APVD
	A	REVISED PER ECR-08-013882	02JUN2008	A.S	S.Y

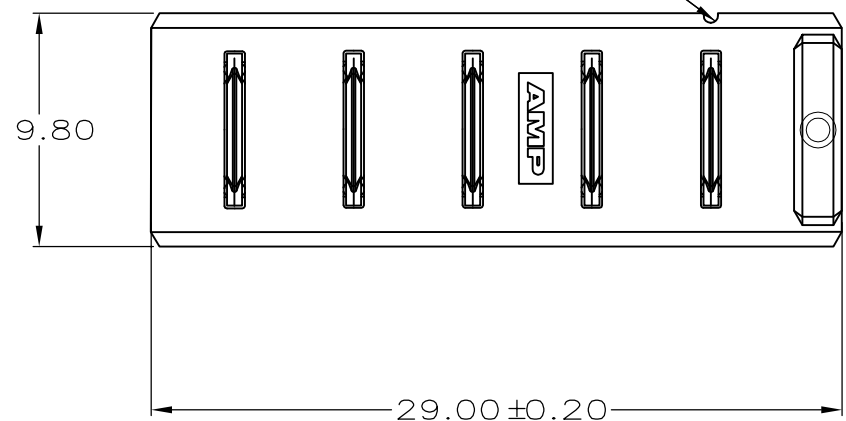
D

C

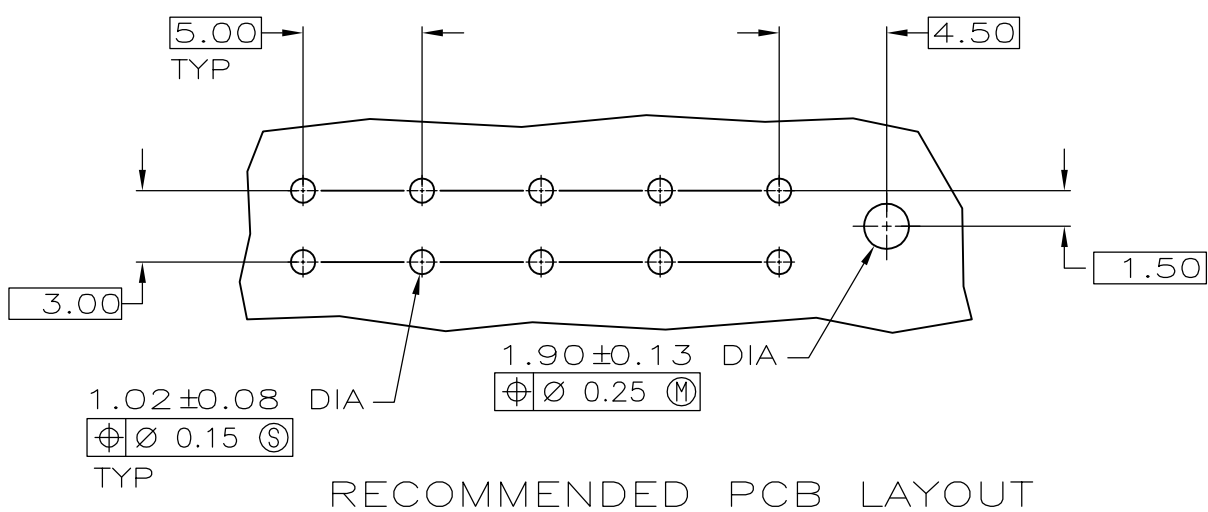
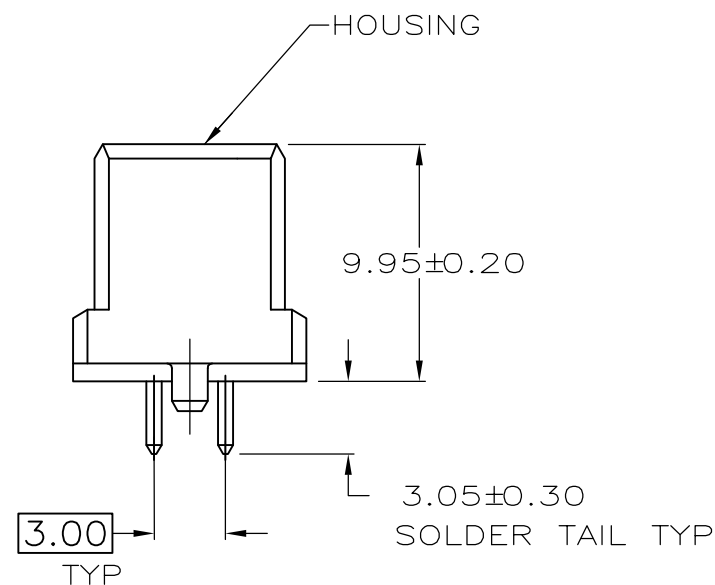
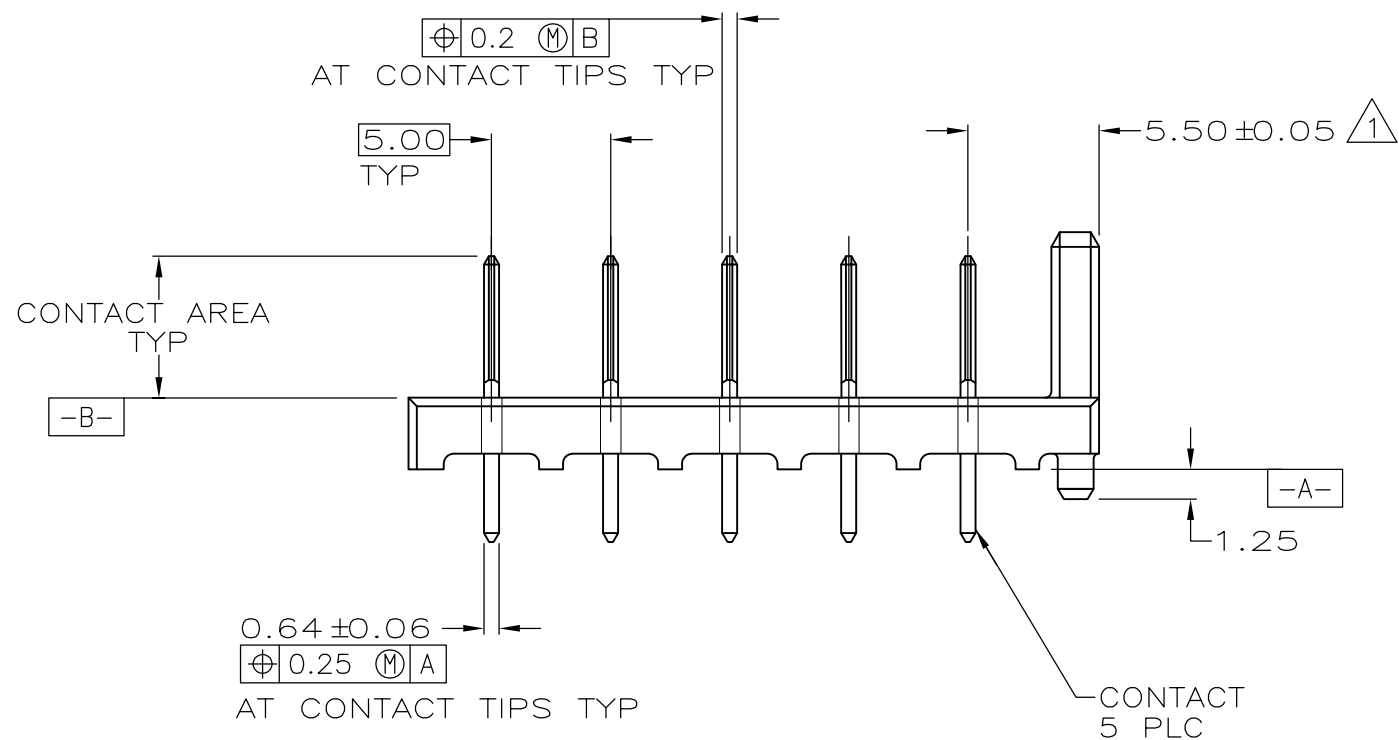
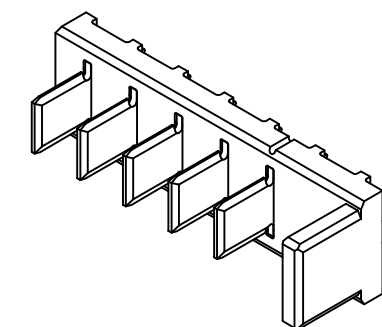
B

A

PIN 1 INDICATOR



- ① COORDINATE DIMENSION APPLIES FROM CENTER OF ACTUAL FEATURE.
- ② HOUSING: POLYPHTHALAMIDE
- ③ CONTACTS: BRASS
- ④ 2.54 μm MIN TIN ON SOLDER TAIL OVER 1.90 μm MIN NICKEL.



5787334-1
PART NO.

THIS DRAWING IS A CONTROLLED DOCUMENT.		DWN WENKE HE 19APR05	Tyco Electronics Corporation Shanghai P.R.CHINA	
DIMENSIONS: mm		CHK STEVEN YAO 19APR05	NAME	
TOLERANCES UNLESS OTHERWISE SPECIFIED:		APVD -	HEADER ASSEMBLY, VERTICAL, 5 POS, SINGLE KEY STRAIGHT SOLDER TAIL, BATTERY INTERCONNECT, 7.2 VOLT	
0 PLC ± -		PRODUCT SPEC -	SIZE CAGE CODE DRAWING NO RESTRICTED TO	
1 PLC ± -		APPLICATION SPEC -	A3 00779 C-5787334	
2 PLC ± 0.10		WEIGHT -	SCALE 4:1 SHEET 1 OF 1 REV A	
3 PLC ± -		CUSTOMER DRAWING		
4 PLC ANGLES ± -				
MATERIAL ② - ③		FINISH ④ -		