

THIS DRAWING IS UNPUBLISHED.

RELEASED FOR PUBLICATION

---

LOC

DIST

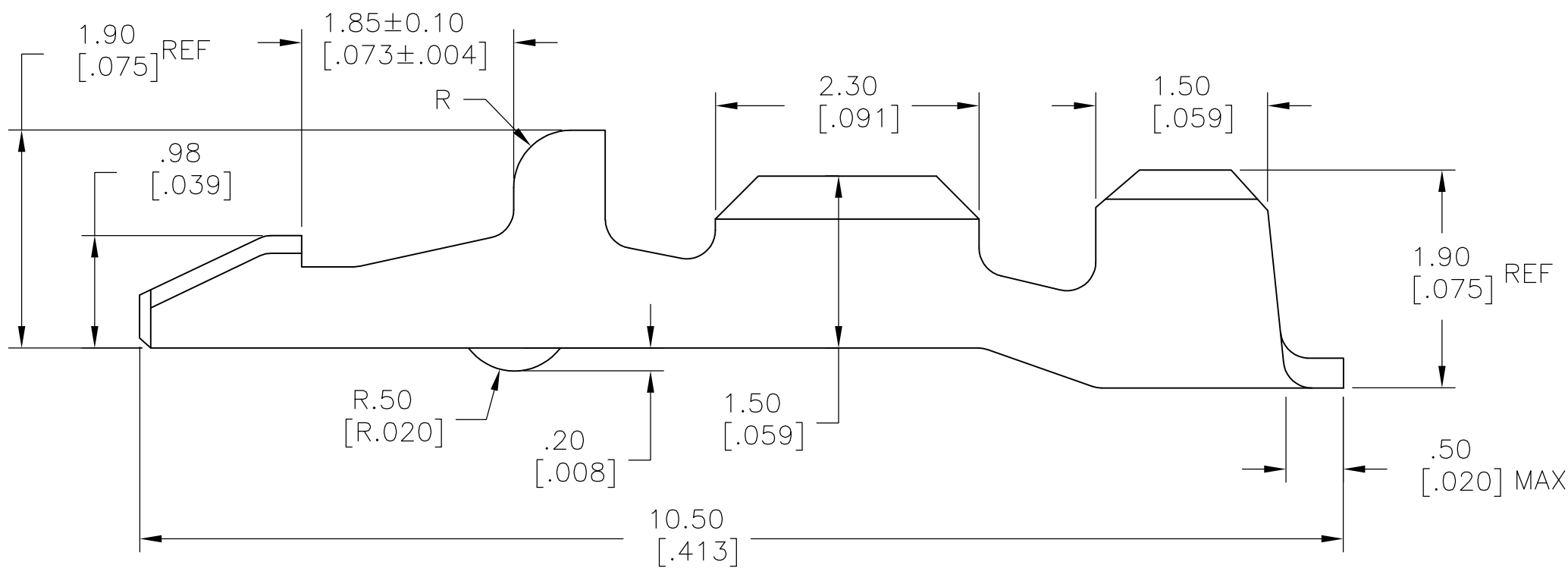
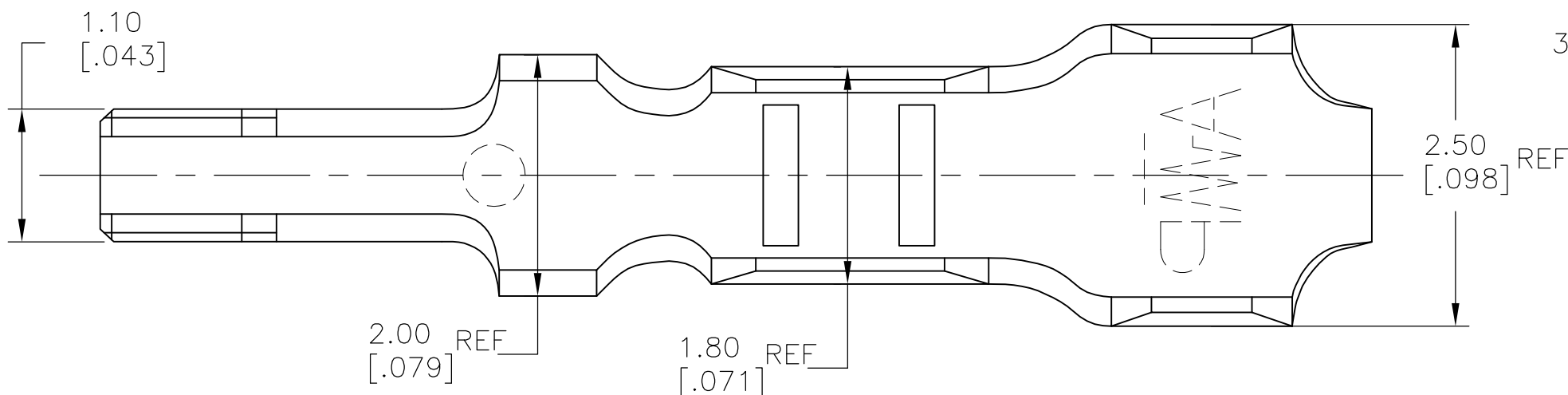
REVISIONS

© COPYRIGHT - By -

ALL RIGHTS RESERVED.

P	LTR	DESCRIPTION	DATE	DWN	APVD
E		REVISED PER ECR-14-016288	20NOV2014	NK	GJ

- 1 PRODUCT SPECIFICATION: 108-5087.
- 2 APPLICATION SPEC: 114-5014.
- 3 PC BOARD THICKNESS 1.60±0.14[.063±.005]  
HOLE DIAMETER 1.20±0.00[.047±.000]  
(DRILL SIZE).



THIS DRAWING IS A CONTROLLED DOCUMENT.

DWN *H. Skubogzki* 08/01/74

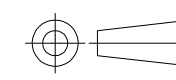
CHK *Y. Sebel* 08/01/74

APVD *H. Skubogzki* -



DIMENSIONS:  
mm [INCHES]

TOLERANCES UNLESS OTHERWISE SPECIFIED:



0 PLC	± -
1 PLC	± -
2 PLC	± 0.40[.015]
3 PLC	± -
4 PLC	± -
ANGLES	± 1°

WIRE RANGE  
0.05~0.15 mm<sup>2</sup>  
[.000071~.00023 SQ IN]  
(AWG #30-#26)

INSULATION DIA  
0.66~1.22 mm  
[.026~.048 IN]

MATERIAL  
BRASS

FINISH  
POST PLATED  
TIN OVER Ni

PRODUCT SPEC

APPLICATION SPEC

WEIGHT -

NAME

MINI AMP-IN

SIZE	CAGE CODE	DRAWING NO	RESTRICTED TO
A3	00779	C-170198	-

CUSTOMER DRAWING

SCALE 12:0 SHEET 1 OF 1 REV E