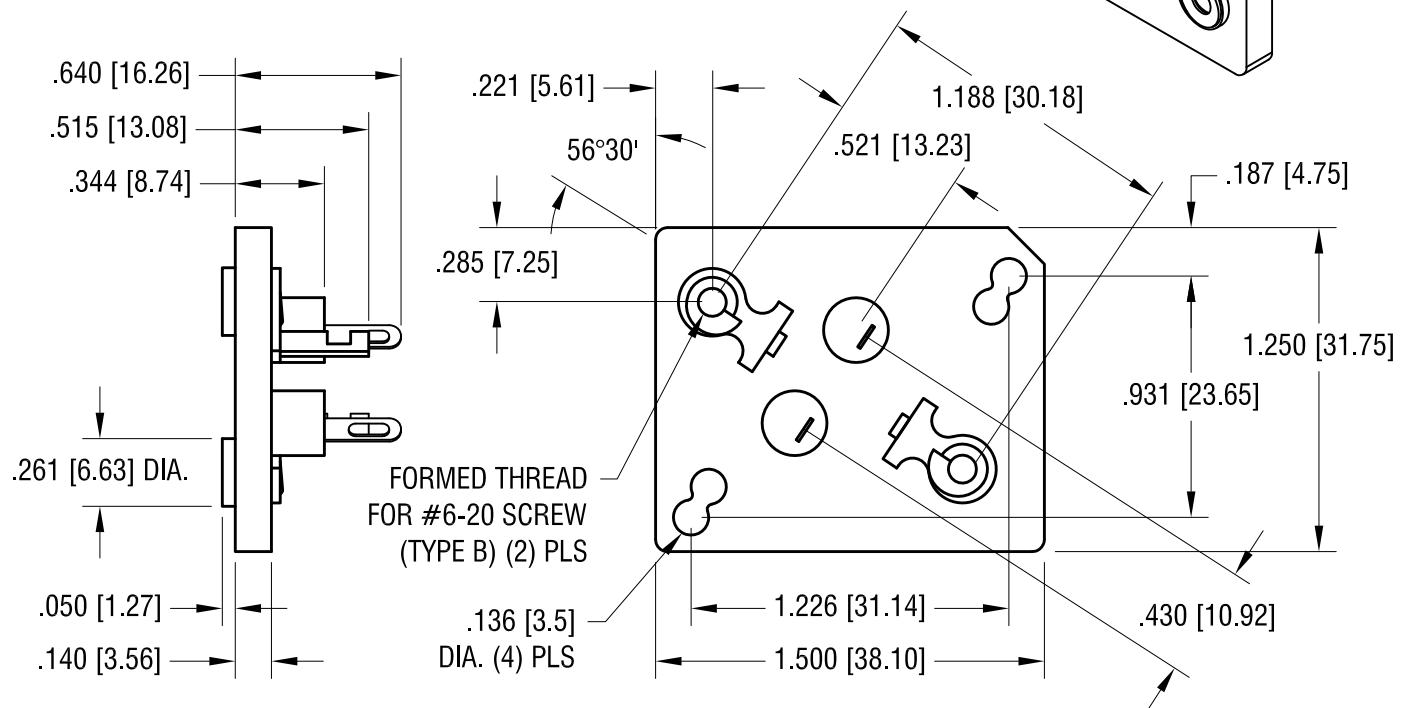
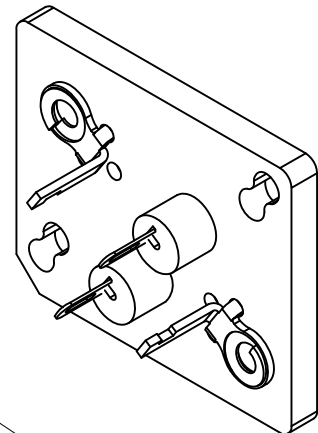


THIS DOCUMENT IS THE PROPERTY OF  
KEYSTONE ELECTRONICS CORP. AND  
SHALL NOT BE REPRODUCED, DISTRIBUTED  
OR USED AS A BASIS FOR MANUFACTURE  
WITHOUT PRIOR WRITTEN PERMISSION  
FROM KEYSTONE ELECTRONICS CORP.



**NOTES:**

- BASE:  
MAT'L - MOLDED NYLON 6/6 UL 94V-2
- COLLECTOR PLATE:  
MAT'L - STEEL, TIN PLATE
- CONTACTS:  
MAT'L - BRASS, TIN PLATE

<b>KEYSTONE ELECTRONICS CORP.</b>			
www.keyelco.com • ASTORIA, N.Y. 11105-2017 • Tel (718) 956-8900			
PART NAME		TO-3 POWER SOCKET	
MATERIAL		AS NOTED	
FINISH	AS NOTED	DRN BY	BOONE
		APP'D	LN
		DATE	2.11.42
		SCALE	1.3X
TOLERANCES	INCH [MM]	CODE	DWG NO.
DECIMAL	± .005 [± 0.13]	C	
ANGULAR	± 1°		
UNLESS OTHERWISE SPECIFIED			
<b>4620</b>			

2.11.10	CHANGE AS PER ECN 10-012	A
DATE	DESCRIPTION	REV.