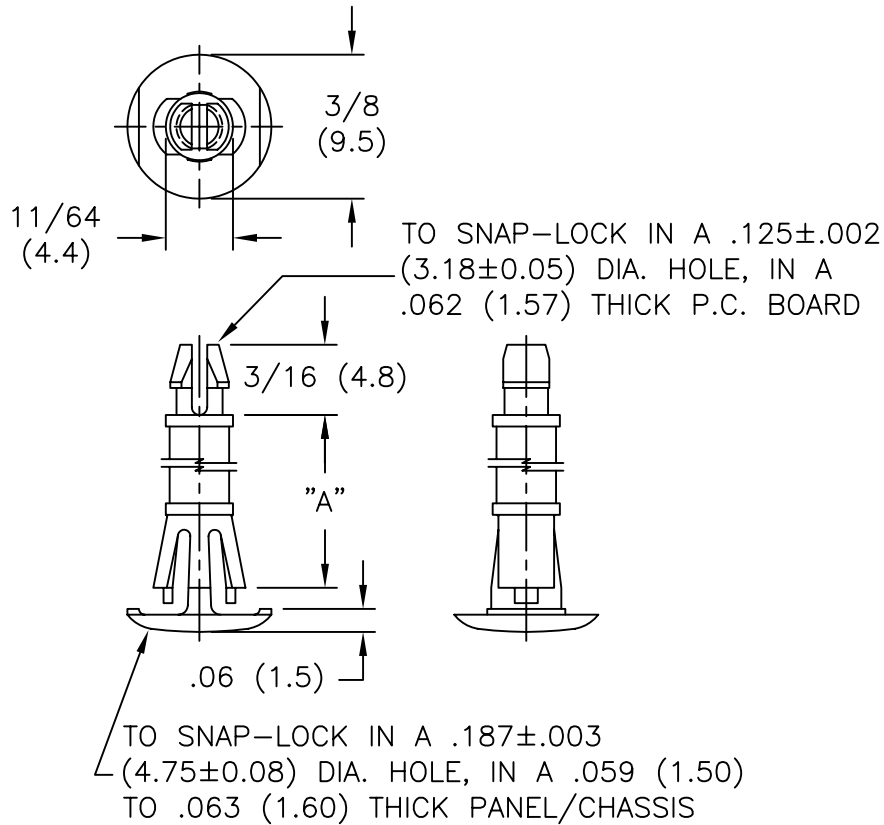


PART NO.	"A" ±.015(0.4)
RLCBSPR-4-01	1/4 (6.4)
RLCBSPR-5-01	5/16 (7.9)
RLCBSPR-6-01	3/8 (9.5)
RLCBSPR-7-01	7/16 (11.1)
RLCBSPR-8-01	1/2 (12.7)
RLCBSPR-9-01	9/16 (14.3)
RLCBSPR-10-01	5/8 (15.9)



NOTES:

- MATERIAL: NYLON 6/6 (RMS-01).  
FLAME RETARDANT: NYLON (RMS-19),  
AVAILABLE BY SPECIAL ORDER.
- COLOR: NATURAL.

TITLE: REVERSE LOCKING C.B.S., PRONGED, ROUND HOLE			DWG IN IN (MM)		FINAL	
TOLERANCES UNLESS NOTED .XX=±.010 .XXX=±.005 FRAC=1/64 ANG=1°	FILE # RLCBSPR	DWN: P.B.	APP:	PART #		PRINT TYPE
	MAT'L: SEE NOTES	DT: 05-23-95	DT:	SEE TABLE		CA
	RE: RICHCO INC.	RICHCO INC. PO BOX 804238, CHICAGO, 60680 (773) 539-4060				
C	CHANGED FILE NUMBER	SM 05.03.01				
B	MAT'L RMS-19 ADDED	J.L. 12.29.97				
A	CONVERTED TO ACAD	PB 05.23.95				
REV	DESCRIPTION	ENGR DATE				