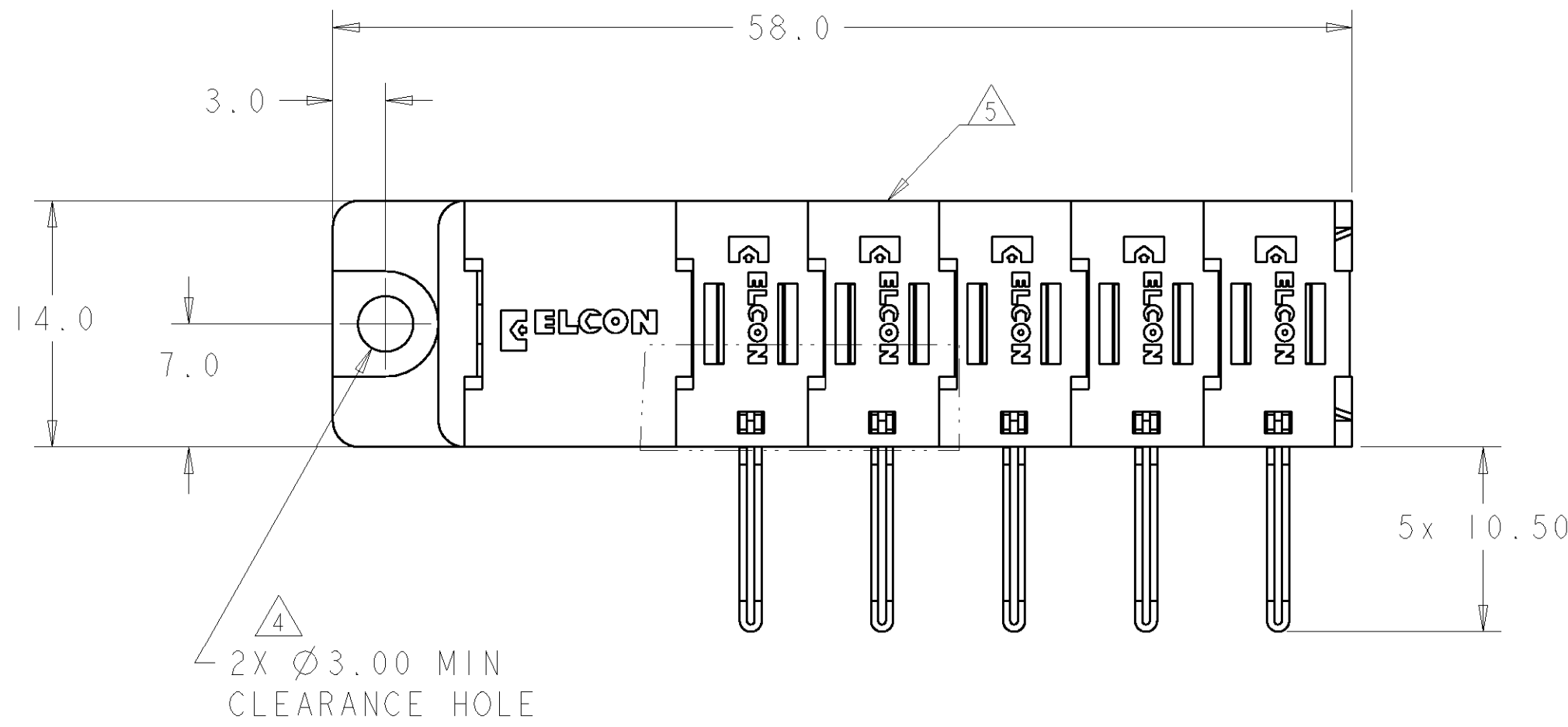


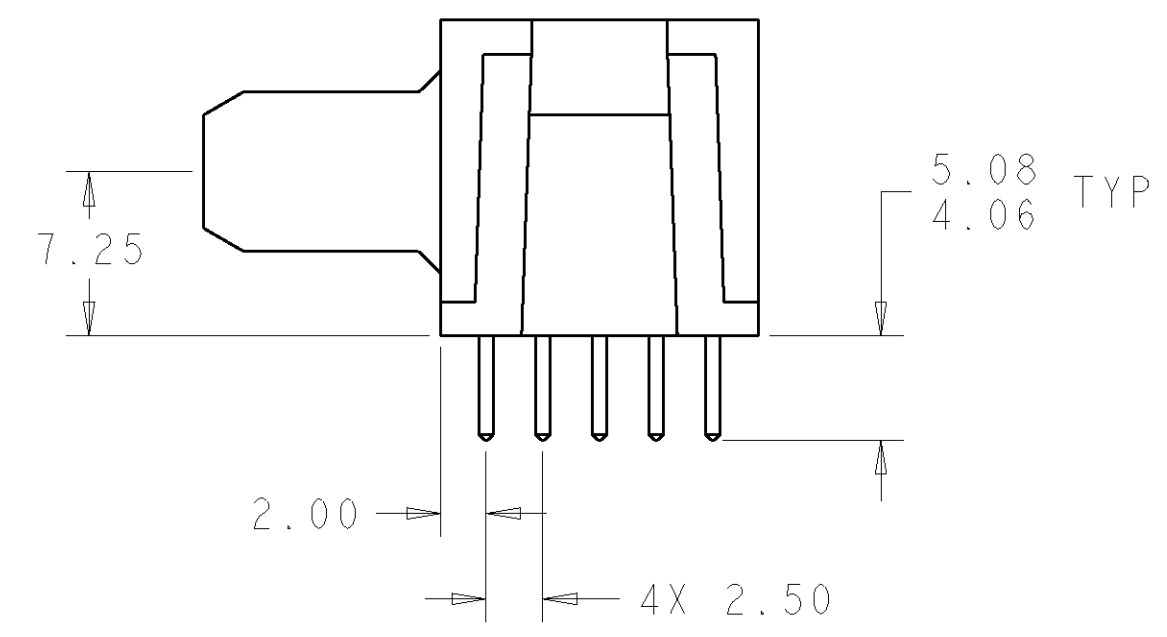
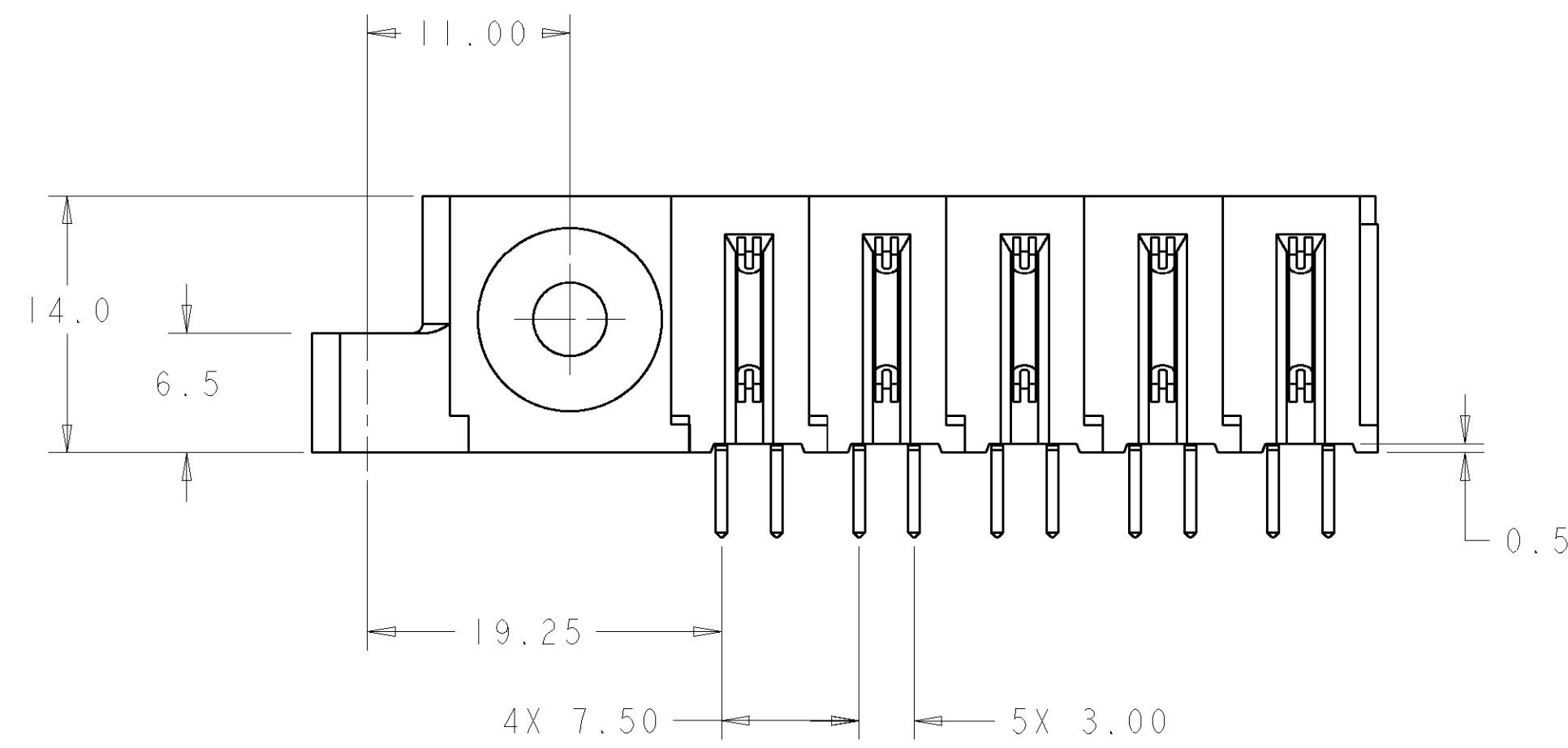
THIS DRAWING IS UNPUBLISHED. RELEASED FOR PUBLICATION 20
 © COPYRIGHT 20 BY TYCO ELECTRONICS CORPORATION. ALL RIGHTS RESERVED.

LOC	DIST	REVISIONS					
GP	00	P	LTR	DESCRIPTION	DATE	DWN	APVD
			A	NEW RELEASE	25SEP2007	RG	PD



- PART NUMBER CHANGES AND OR DESIGN CHANGES AFFECTING ITEM INTERCHANGEABILITY REQUIRE PRIOR TYCO ELECTRONICS APPROVAL AND AUTHORIZATION BY REVISION TO THIS DRAWING.
 - MATERIAL:
 INSULATORS - THERMOPLASTIC, GLASS REINFORCED, COLOR: BLACK, UL94V-0 FLAMMABILITY RATED.
 POWER CONTACTS - PHOSPHOR BRONZE ALLOY, COPPER ALLOY
 CROWN BAND-BERYLLIUM COPPER ALLOY
 - FINISH:
 CONTACTS - GOLD PLATE 0.76µm MIN. THK., OVER NICKEL 1.27µm MIN. THK
 SOLDER TAILS, TIN 3.05µm MIN. THK. OVER NICKEL 1.27µm MIN THK.
- 4 MOUNTING FLANGES ACCEPT M3 OR #4-40 SCREWS, (USER SUPPLIED)
 5 ITEMS PROVIDED TO THIS SPECIFICATION TO BE PERMANENTLY IDENTIFIED PER THE FOLLOWING IDENTIFIER LABEL

TYCO ELECTRONICS P/N: XXXXXXXX-X
 DATE CODE (e.g. 0106): YEAR WEEK
 XXXX



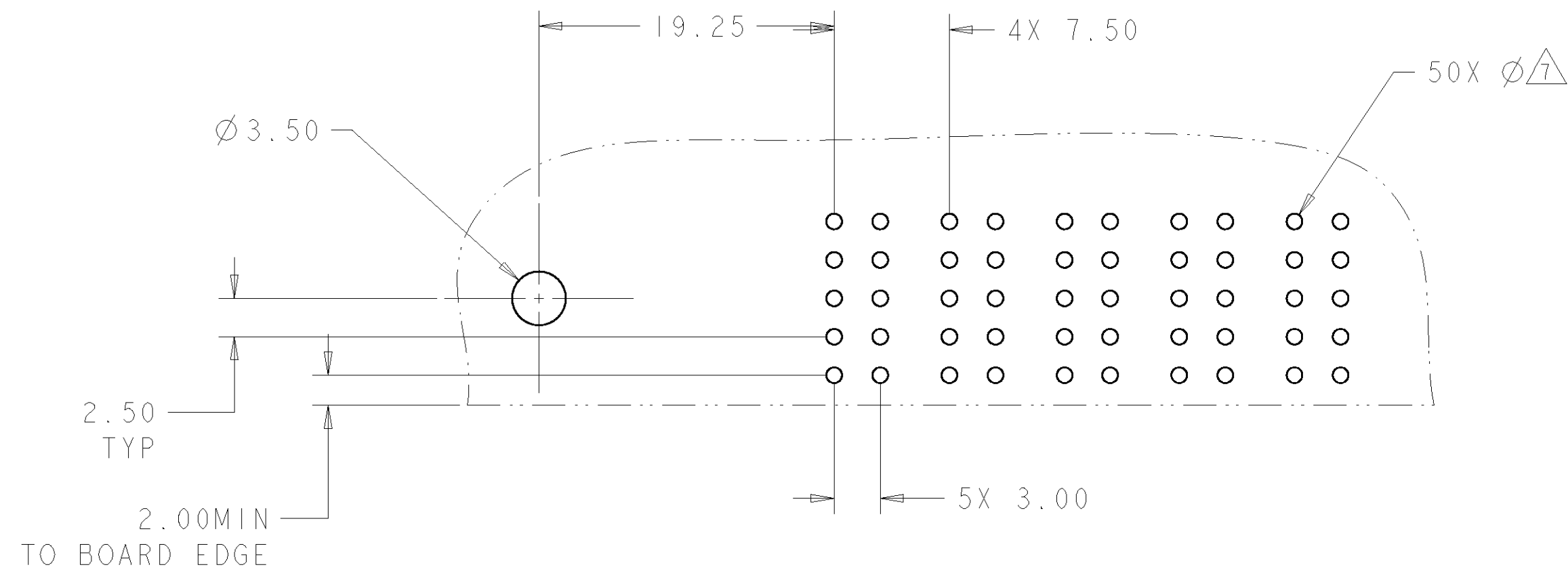
AS SHOWN	1926633-1
DESCRIPTION	PART NUMBER

ELCON FLATPAQ

THIS DRAWING IS A CONTROLLED DOCUMENT FOR TYCO ELECTRONICS CORPORATION. IT IS SUBJECT TO CHANGE AND THE CONTROLLING ENGINEERING ORGANIZATION SHOULD BE CONTACTED FOR THE LATEST REVISION.		DWN: R. GRZYBOWSKI 24SEPT07	Tyco Electronics Harrisburg, PA 17105-3608	
DIMENSIONS: mm [INCHES]		CHK: P. DAMATO 24SEPT07	NAME: PIN CONNECTOR, RIGHT ANGLE SOLDER TAILS	
TOLERANCES UNLESS OTHERWISE SPECIFIED: 0 PLC ±.5 1 PLC ±.5 2 PLC ±.25 3 PLC ±.5 4 PLC ±.5 ANGLES ±.5 FINISH		APVD: S. FLICKINGER 24SEPT07	SIZE: A2 CAGE CODE: 00779 DRAWING NO: 1926633 RESTRICTED TO: -	
MATERIAL: -		PRODUCT SPEC: -	SCALE: 3:1 SHEET 1 OF 3 REV A	
CUSTOMER DRAWING		APPLICATION SPEC: -		
		WEIGHT: -		

THIS DRAWING IS UNPUBLISHED. RELEASED FOR PUBLICATION 20
 © COPYRIGHT 20 BY TYCO ELECTRONICS CORPORATION. ALL RIGHTS RESERVED.

LOC	DIST	REVISIONS					
GP	00	P	LTR	DESCRIPTION	DATE	DWN	APVD
		-		SEE SHEET 1	-	-	-



PRINTED CIRCUIT LAYOUT
 COMPONENT SIDE

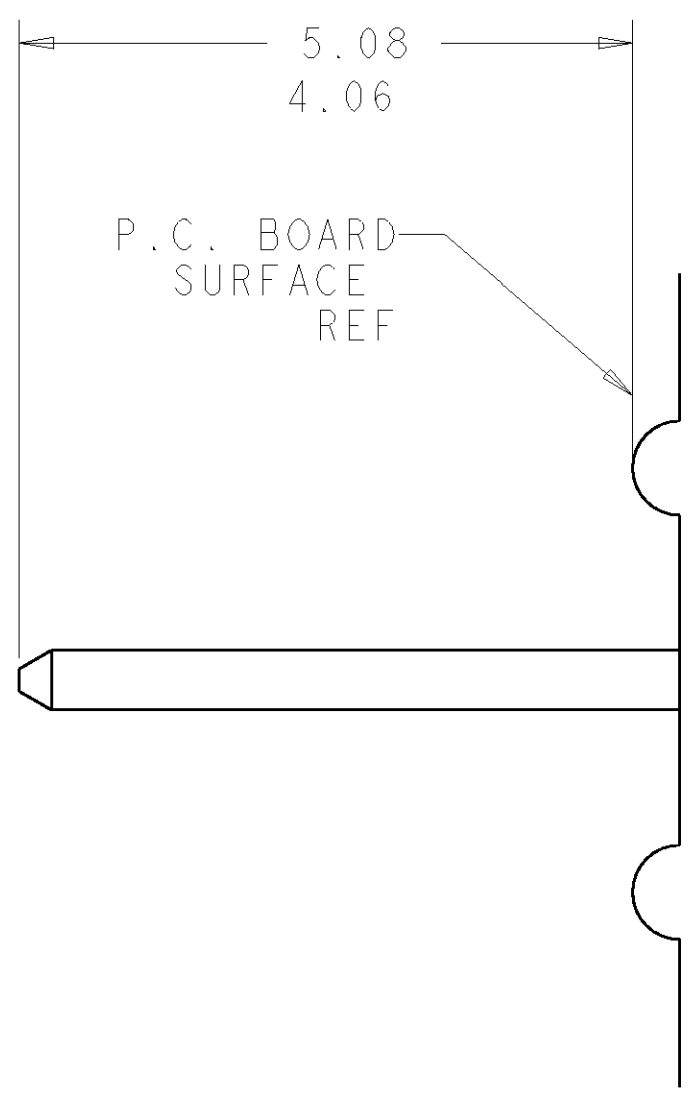
CONNECTOR	EQUIVALENT CATALOG #	MODULE QTY	CONTACT QTY	SIZE NO.	MATING PIN	MAX. CURRENT (PER CONTACT)	CONTACT SPACING	VOLTAGE RATING
PIN	FP151	5	5	8	1.25 X 7.00 [.049 X .276]	35 amps	7.50 [.2953]	250 VOLTS
	FP506	1	-	RIGHT ANGLE GUIDE SOCKET				
	FP500	1	-	LEFT MOUNTING FLANGE				

ELCON **FLATPAQ**

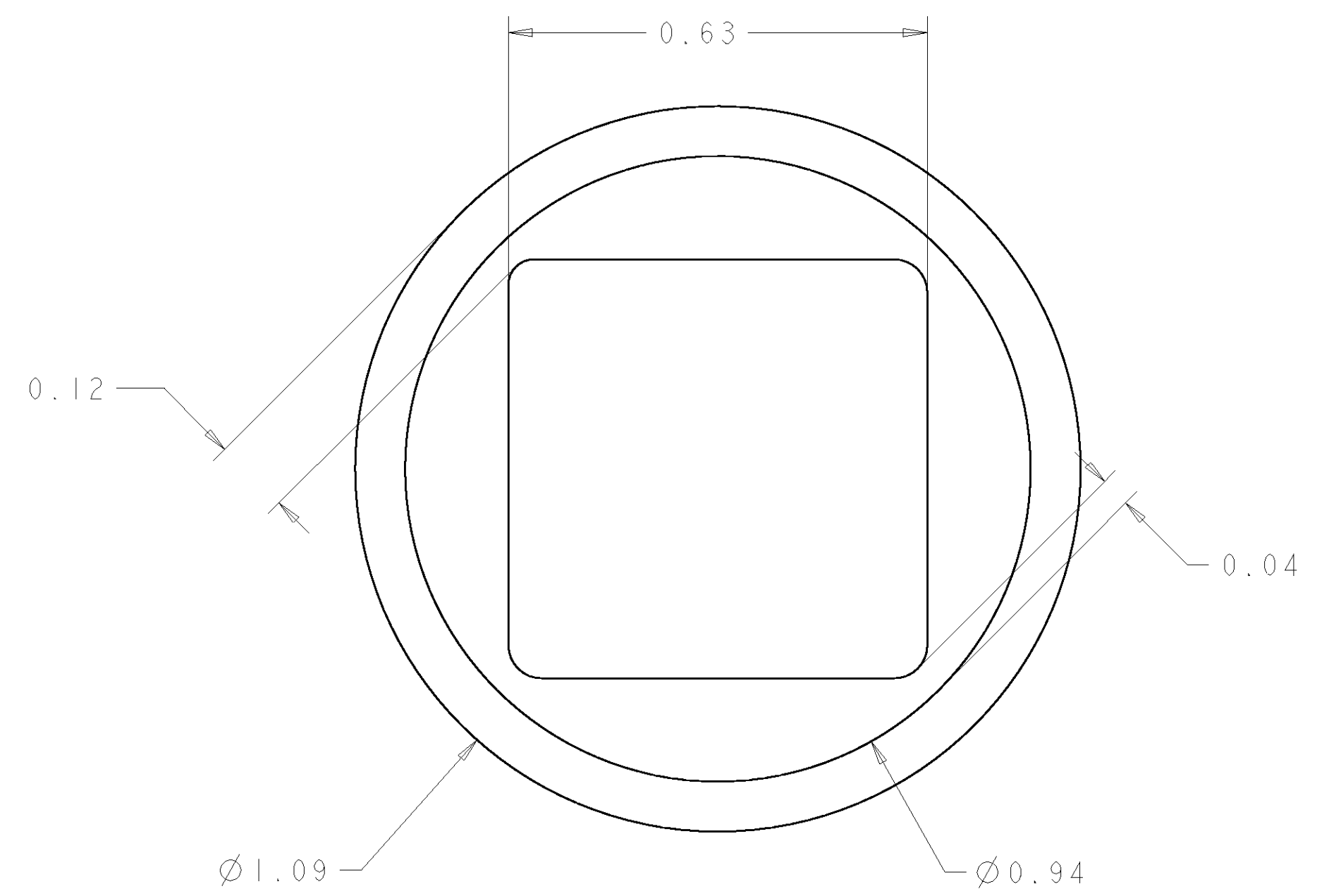
<small>THIS DRAWING IS A CONTROLLED DOCUMENT FOR TYCO ELECTRONICS CORPORATION. IT IS SUBJECT TO CHANGE AND THE CONTROLLING ENGINEERING ORGANIZATION SHOULD BE CONTACTED FOR THE LATEST REVISION.</small>		DWN R. GRZYBOWSKI 24SEPT07 CHK P. DAMATO 24SEPT07 APVD S. FLICKINGER 24SEPT07	Tyco Electronics Harrisburg, PA 17105-3608
DIMENSIONS: mm [INCHES]	TOLERANCES UNLESS OTHERWISE SPECIFIED: 0 PLC ±.5 1 PLC ±.5 2 PLC ±.25 3 PLC ±.5 4 PLC ±.5 ANGLES ±.5 FINISH	NAME: PIN CONNECTOR, RIGHT ANGLE SOLDER TAILS PRODUCT SPEC: - APPLICATION SPEC: - WEIGHT: -	SIZE: A2 CAGE CODE: 00779 DRAWING NO: C-1926633 RESTRICTED TO: -
MATERIAL: -		CUSTOMER DRAWING SCALE: 3:1 SHEET 2 OF 3 REV A	

THIS DRAWING IS UNPUBLISHED. RELEASED FOR PUBLICATION 20
 © COPYRIGHT 20 BY TYCO ELECTRONICS CORPORATION. ALL RIGHTS RESERVED.

LOC	DIST	REVISIONS					
		P	LTR	DESCRIPTION	DATE	DWN	APVD
GP	00	-		SEE SHEET 1	-	-	-



6. SOLDER PIN DETAIL
SCALE 10:1



△ SOLDER TERMINATION AREA
SCALE 40:1

RECOMMENDED PRINTED CIRCUIT SOLDER HOLE
 FINISHED HOLE: $\varnothing 1.02$ [.040] $\pm .08$ [.003]
 DRILLED HOLE: $\varnothing 1.15$ [.0453] $\pm .013$ [.0005]
 COPPER PLATE: .025 [.0010] MIN.
 TIN PLATE: .008 [.0003] MIN. (PER SURFACE)

ELCON **FLATPAQ**

THIS DRAWING IS A CONTROLLED DOCUMENT FOR TYCO ELECTRONICS CORPORATION IT IS SUBJECT TO CHANGE AND THE CONTROLLING ENGINEERING ORGANIZATION SHOULD BE CONTACTED FOR THE LATEST REVISION.		DWN R. GRZYBOWSKI 24SEPT07	Tyco Electronics Harrisburg, PA 17105-3608	
DIMENSIONS: mm [INCHES]		CHK P. DAMATO 24SEPT07	NAME PIN CONNECTOR, RIGHT ANGLE SOLDER TAILS	
TOLERANCES UNLESS OTHERWISE SPECIFIED:		APVD S. FLICKINGER 24SEPT07	SIZE A200779	CAGE CODE C-1926633
0 PLC $\pm .5$ 1 PLC $\pm .5$ 2 PLC $\pm .25$ 3 PLC $\pm .5$ 4 PLC $\pm .5$		PRODUCT SPEC -	DRAWING NO. -	RESTRICTED TO -
MATERIAL -		FINISH -	WEIGHT -	SCALE 3:1
		CUSTOMER DRAWING	SHEET 3 OF 3	REV A