

NOTES:

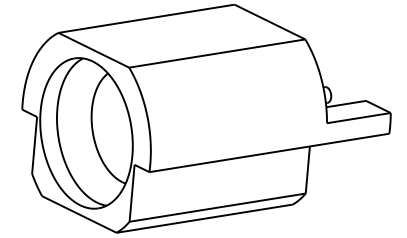
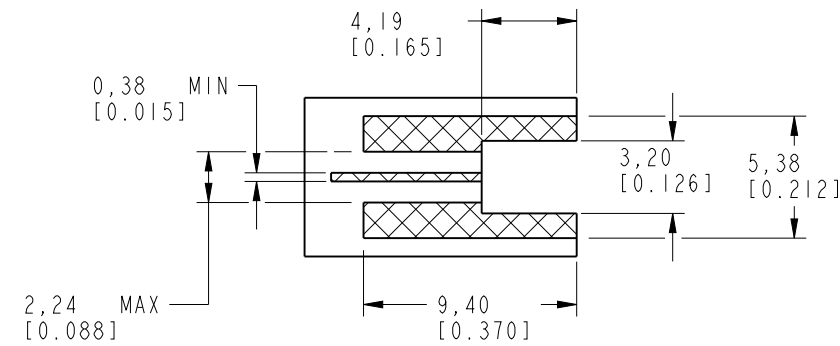
1. MATERIALS AND FINISHES:
 BODY - BRASS, GOLD PLATING
 CONTACT - BeCu, GOLD PLATING
 INSULATOR - PTFE, NATURAL
2. ELECTRICAL:
 A. IMPEDANCE: 50 OHM
 B. FREQUENCY RANGE: DC - 40 GHz
 C. VSWR (RETURN LOSS): 1.15:1 MAX (23 dB MIN) AT DC-10 GHz
 1.25:1 MAX (19 dB MIN) AT 10-26.5 GHz
 1.35:1 MAX (17 dB MIN) AT 26.5-40 GHz
 CONNECTOR ONLY, PERFORMANCE WILL VARY
 BASED ON BOARD LAYOUT
 D. DIELECTRIC WITHSTANDING VOLTAGE: 500 VRMS, MIN.
 E. INSULATOR RESISTANCE: 5000 MEGAOHMS MIN
 F. CONTACT RESISTANCE:
 CENTER CONTACT: 6 MILLIOHM, MAX
3. MECHANICAL:
 A. ENGAGEMENT FORCE: 2.5 LBS TYP.
 B. DISENGAGEMENT FORCE: 1.5 LBS TYP.
 C. CONTACT RETENTION: 1.5 LBS MIN AXIAL FORCE
 D. DURABILITY: 100 CYCLES MIN.
 E. TEMPERATURE RANGE: -65°C TO +165°C

5. PACKAGING:
 A. QUANTITY: SINGLE PACK
 B. MARKING: BAG TO BE MARKED
 "AMPHENOL RF, 925-169J-51P, AND DATE CODE"

THIRD ANGLE PROJ.

REVISIONS

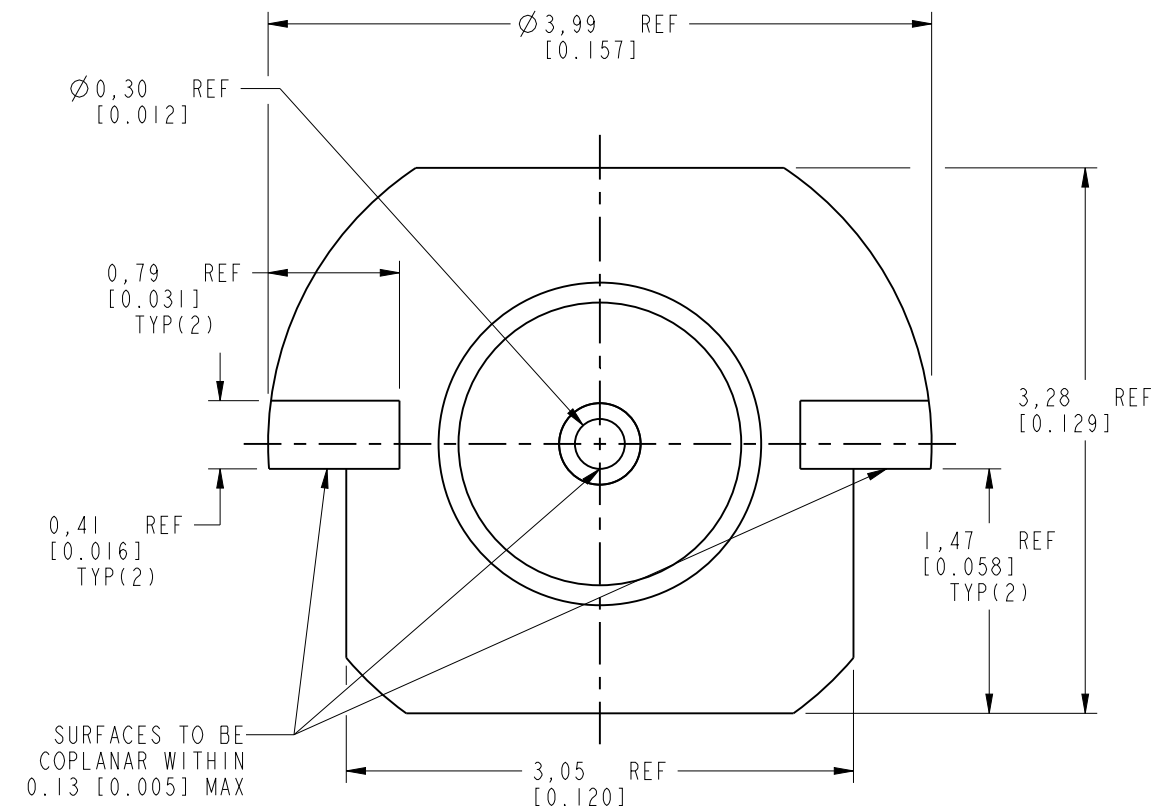
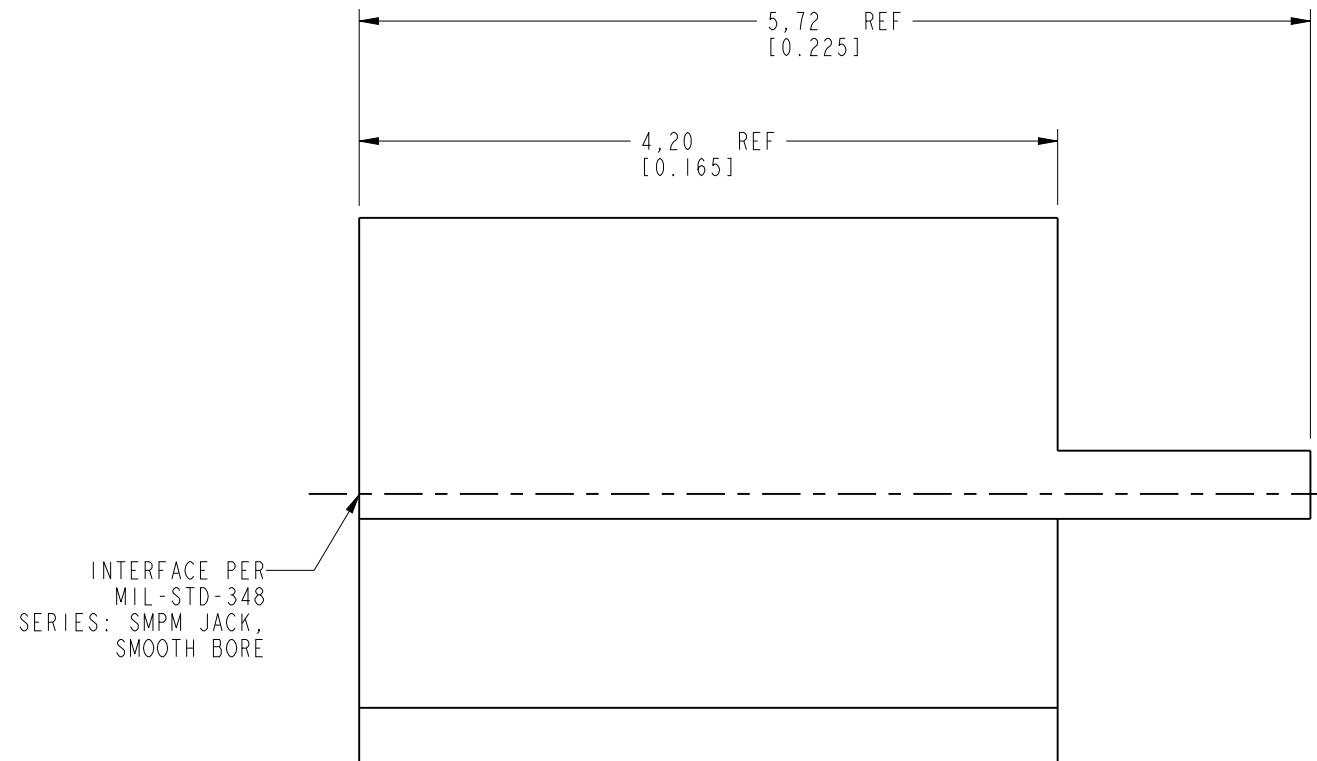
REV	DESCRIPTION	DATE	ECO	APPR
A	RELEASE TO MFG.	07-Jun-17	4003	BMG



SCALE 7.000

**RECOMMENDED
PCB LAYOUT**

SOLDER FOOTPRINT ONLY,
 PERFORMANCE WILL VARY
 BASED ON BOARD LAYOUT



CUSTOMER OUTLINE DRAWING

ALL OTHER SHEETS ARE FOR INTERNAL USE ONLY

UNLESS OTHERWISE SPECIFIED, DIMENSIONS ARE IN METRIC AND TOLERANCES ARE: <0.5mm ±0.05mm 0.5 - 6mm ±0.1mm 6 - 30mm ±0.2mm 30 - 120mm ±0.3mm ANGLES ±1°	MATERIAL	DRAWN	DATE	TITLE	Amphenol RF www.amphenolrf.com DRAWING NO. 925-169J-51P ITEM NO. 925-169J-51P PART NO. 925-169J-51P
	SEE NOTES	B. GREENBAUM	10-Mar-17	SMPM STR JACK SMOOTH BORE, EDGE MOUNT	
	EAR# 7607	ENGINEER	DATE	SCALE: 22.0:1.0 SHEET 2 OF 2	
	EXP#	B. GREENBAUM	10-Mar-17	DWG SIZE B REV A	
CONFIGURATION LEVEL: In Work	APPROVED	DATE			
FINISH	K. CAPOZZI	07-Jun-17			