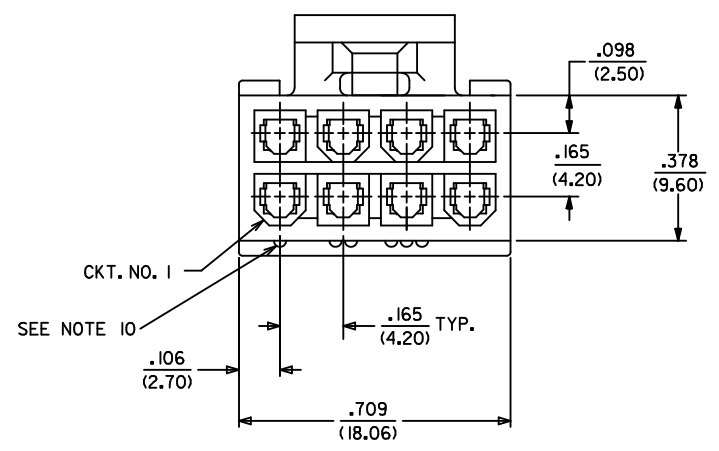


455870003  
FIRST GENERATION POLARIZATION



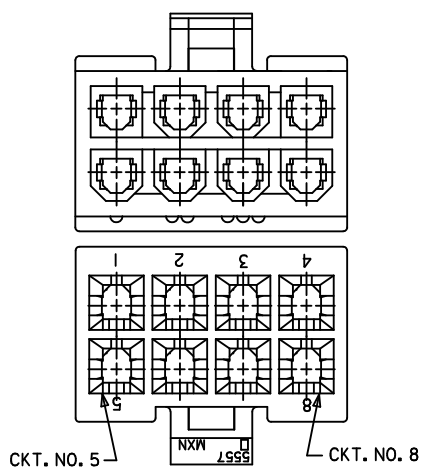
- NOTES:
- 1) MATERIAL:  
HOUSING: NYLON, UL94V-0, COLOR: BLACK
  - 2) FINISH: NONE
  - 3) PRODUCT SPECIFICATION: PS-5556-001
  - 4) PACKAGING: PER PK-5557-002
  - 5) 455870003 RECEPTACLE HOUSING MATES WITH 455860001 AND 455860004 HEADER ASSEMBLIES, 455870002 RECEPTACLE HOUSING MATES WITH 455860002 HEADER ASSEMBLY, 455870004 RECEPTACLE HOUSING MATES WITH 455860005 HEADER ASSEMBLY.
  - 6) PART TO BE USED WITH MOLEX FEMALE TERMINAL #5556.
  - 7) ALL DIMENSIONS ARE REFERENCE UNLESS OTHERWISE SPECIFIED WITH A TOLERANCE.
  - 8) PART IS NOT DESIGNED FOR CURRENT SHARING.
  - 9) PARTS ARE NOT TO BE MATED OR UNMATED WHILE CIRCUITS ARE LIVE.
  - 10) RIB INDICATES CIRCUIT NUMBER 1.
  - 11) PART CONFORMS TO CLASS "B" REQUIREMENTS OF COSMETIC SPECIFICATION PS-45499-002.
  - 12) WIRES ARE TO BE DRESSED IN SUCH A MANNER TO ALLOW THE TERMINALS TO FLOAT FREELY IN THE POCKET

CIRCUIT SIZE	PART NO.	POLARIZATION TYPE
8	455870003	FIRST GENERATION
	455870002	SECOND GENERATION
	X 455870004	THIRD GENERATION
X= NOT TOOLED		

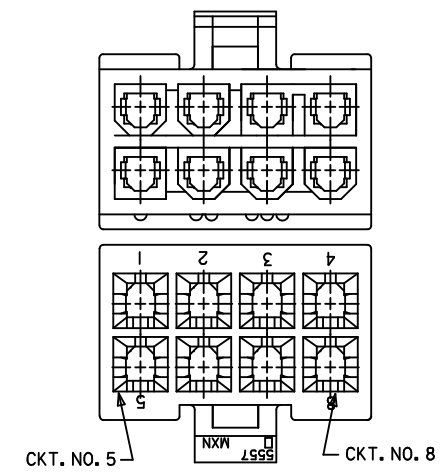
<b>ADD 3RD GENERATION</b> EC NO: UCP2011-2074 DRWN: JAGUILAR 2011/01/13 CHKD: JELL 2011/01/13 APPR: FSMITH 2011/03/01	QUALITY SYMBOLS 	GENERAL TOLERANCES (UNLESS SPECIFIED)		DIMENSION STYLE <b>IN/MM</b>		SCALE <b>4:1</b>	DESIGN UNITS <b>METRIC</b>	THIRD ANGLE PROJECTION	
		4 PLACES ± --- ± ---	3 PLACES ± --- ± .010	DRAWN BY CLS	DATE 2003/07/15	TITLE <b>8 CKT. RECEPT. HOUSING SPECIAL POLARIZATION MINI-FIT JR. SERIES</b>			
		2 PLACES ± .25 ± .015	1 PLACE ± .38 ± ---	CHECKED BY GEP	DATE 2003/07/15	APPROVED BY FSMITH 2011/03/01			
		ANGULAR ± 5 °		MATERIAL NO. <b>SEE CHART</b>		DOCUMENT NO. <b>SD-45587-001</b>		SHEET NO. <b>1 OF 2</b>	

DRAFT WHERE APPLICABLE MUST REMAIN WITHIN DIMENSIONS

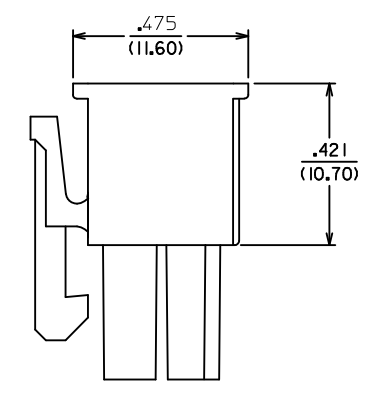
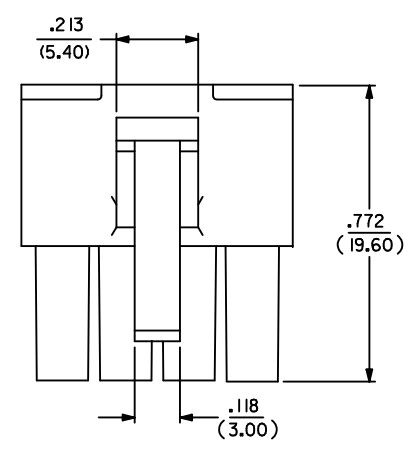
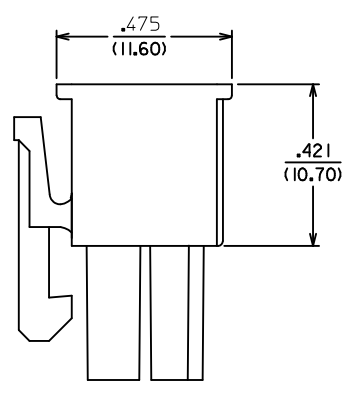
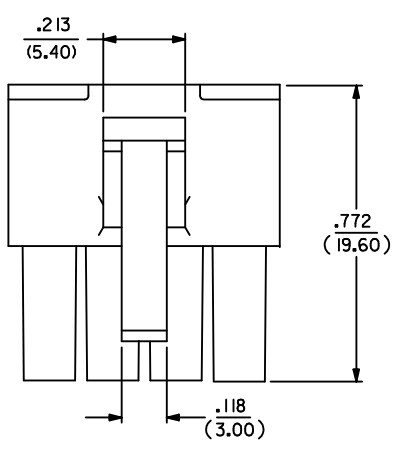
THIS DRAWING CONTAINS INFORMATION THAT IS PROPRIETARY TO MOLEX INCORPORATED AND SHOULD NOT BE USED WITHOUT WRITTEN PERMISSION



455870002  
SECOND GENERATION POLARIZATION



455870004  
THIRD GENERATION POLARIZATION



SEE SHEET 1 EC NO: UCP2011-2074 DRWN: JAGUILAR 2011/01/13 CHKD: J BELL 2011/01/13 APPR: FSMITH 2011/03/01	QUALITY SYMBOLS ∇=0 ∇=0 ∇=0	GENERAL TOLERANCES (UNLESS SPECIFIED) mm INCH 4 PLACES ± --- ± --- 3 PLACES ± --- ± .010 2 PLACES ± .25 ± .015 1 PLACE ± .38 ± --- ANGULAR ± 5 °	DIMENSION STYLE IN/MM DRAWN BY DATE CLS 2003/07/15 CHECKED BY DATE GEP 2003/07/15 APPROVED BY DATE FSMITH 2011/03/01	SCALE 4:1 DESIGN UNITS METRIC THIRD ANGLE PROJECTION	TITLE 8 CKT. RECEPT. HOUSING SPECIAL POLARIZATION MINI-FIT JR. SERIES	MATERIAL NO. SEE CHART	DOCUMENT NO. SD-45587-001	SHEET NO. 2 OF 2		
	DRAFT WHERE APPLICABLE MUST REMAIN WITHIN DIMENSIONS		THIS DRAWING CONTAINS INFORMATION THAT IS PROPRIETARY TO MOLEX INCORPORATED AND SHOULD NOT BE USED WITHOUT WRITTEN PERMISSION		MOLEX MOLEX INCORPORATED					
	REV C1									