

TABLE 1 : UNITIZED CONNECTOR WITH HOLD DOWN MODULE

PART NUMBER	NUMBER OF POWER MODULES	"DIM A"	PLATING OPTION	HOLD DOWN MODULE LOCATION
78239-1005	1X	10.90	TIN	LEFT (REFER TO SHEET 2 FOR DETAILS)
78239-1055	2X	18.30		
78239-2005	1X	10.90		RIGHT (REFER TO SHEET 3 FOR DETAILS)
78239-2055	2X	18.30		

PART NUMBER LEGEND: 78239-*0**

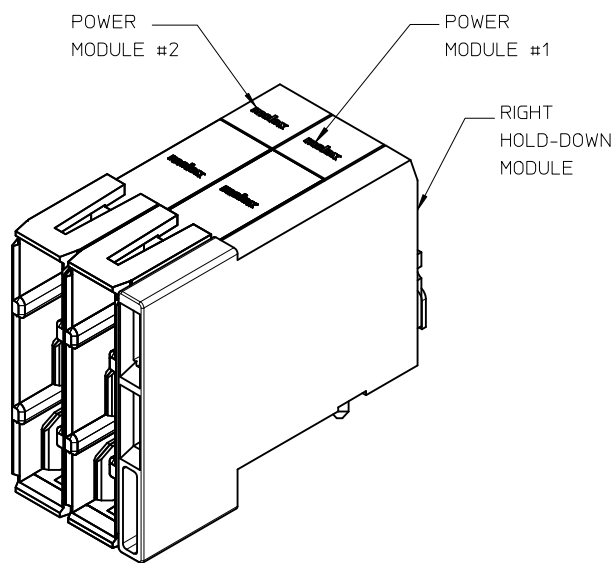
PLATING OPTION	HOLD DOWN MODULE LOCATION	*
TIN	LEFT	1
	RIGHT	2

POWER MODULE 2			
*	BLADE LENGTH		
	P1	P2	P3
0	MODULE NOT PRESENT		
5	6.77	8.27	9.77

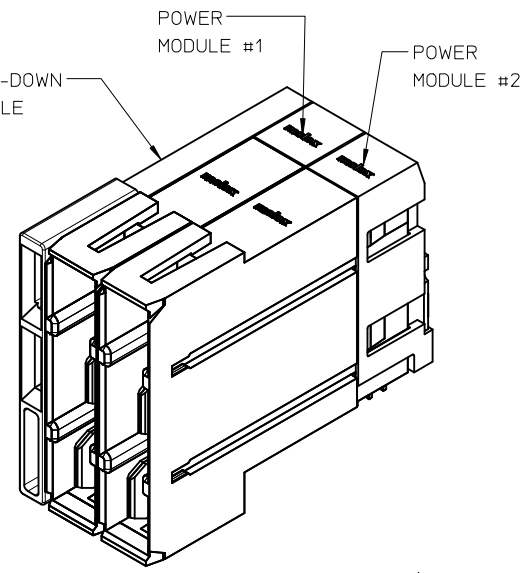
POWER MODULE 1			
*	BLADE LENGTH		
	P1	P2	P3
5	6.77	8.27	9.77

- NOTES
- MATERIALS :
HOUSING - HIGH TEMP. THERMOPLASTIC, GLASS FILLED, UL94-V0,COLOR:BLACK.
POWER PIN - COPPER ALLOY
 - FINISHES :
POWER CONTACTS
0.76µm MINIMUM GOLD AT CONTACT AREA AND
2.54µm MINIMUM TIN AT SOLDER TAIL AREA OVER
1.27µm MINIMUM NICKEL UNDERPLATE.
 - PRODUCT SPECIFICATION: PS-78231-006.
 - COMPONENT STAY AWAY ZONE FROM CONNECTOR.
 - PCB NOTE FOR PLATED HOLE.

TYPE OF PLATED HOLE	DRILLED HOLE SIZE	PLATING THICKNESS	PLATED HOLE SIZE "ØDIM H"
TIN/TIN-LEAD	0.838	0.007 MIN TIN/TIN-LEAD/SILVER OVER 0.03 TO 0.08 COPPER PLATING	0.725±0.075
SILVER	0.863		0.750±0.050



HEADER WITH RIGHT HOLD DOWN

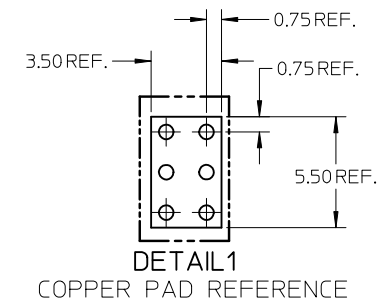
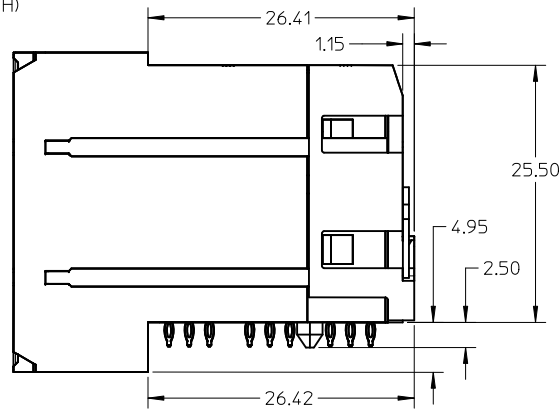
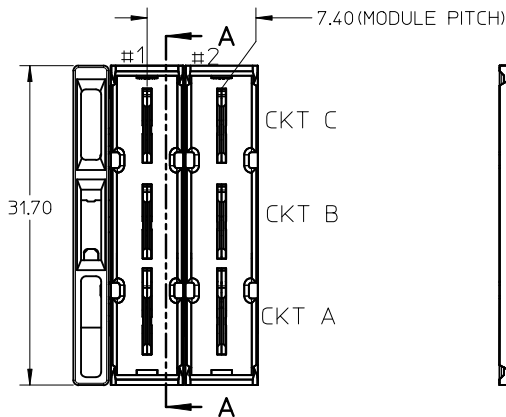
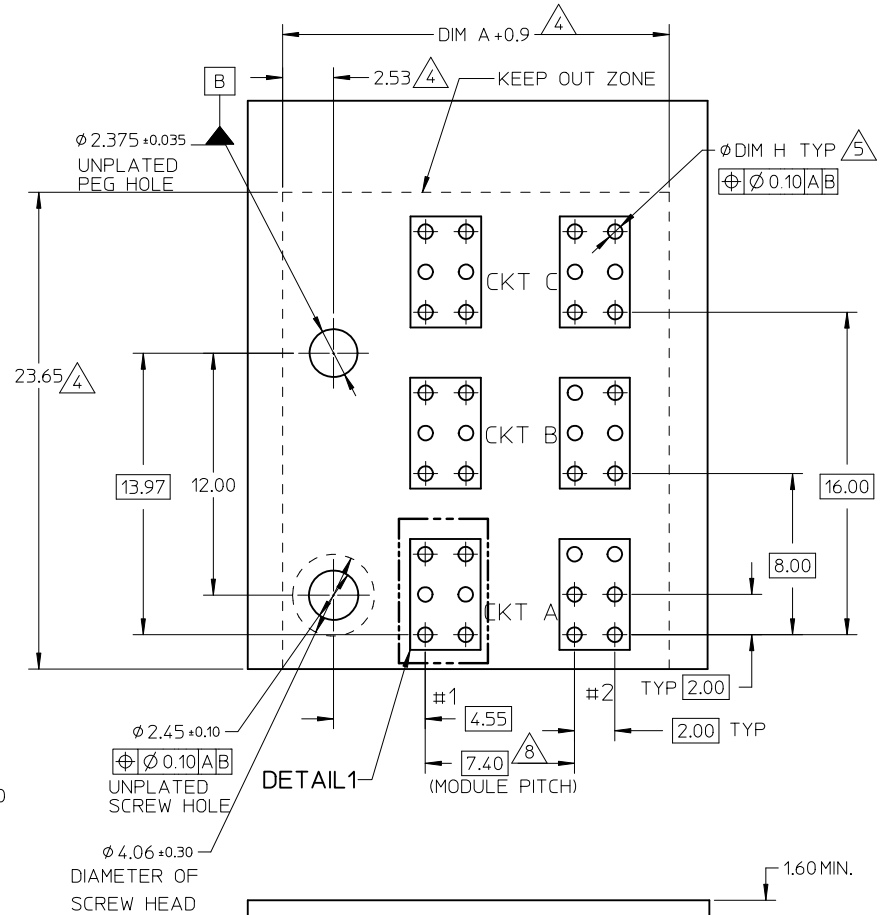
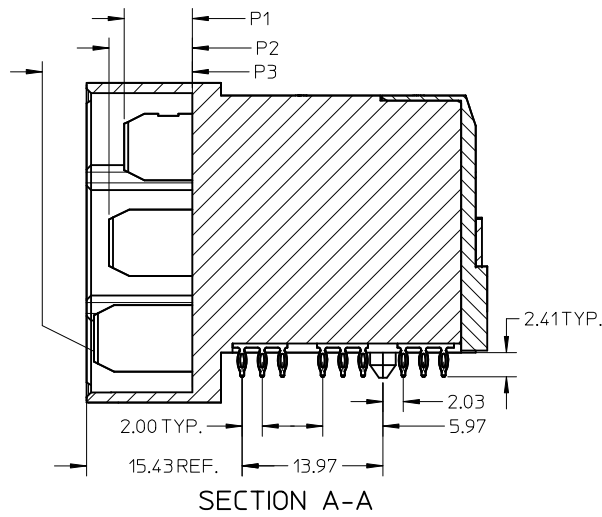
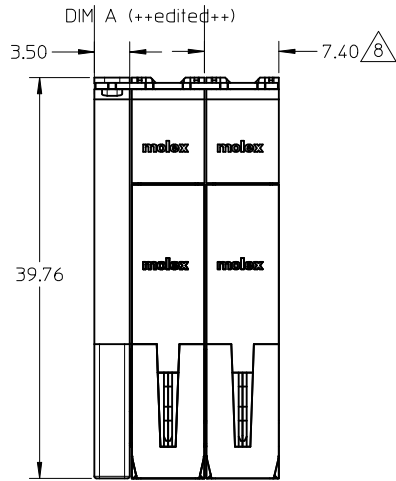


HEADER WITH LEFT HOLD DOWN

- MATES WITH 78237-****.
- PART NUMBER AND YEAR-DAY CODE
- ADD 7.40mm FOR EACH ADDITIONAL MODULE.
- THE DETAILS FOR LEFT HOLD DOWN OPTION SHOWN ON SHEET 2 AND RIGHT HOLD DOWN OPTION SHOWN ON SHEET 3.
- CONNECTORS ARE PACKED IN A TRAY.
- MODULE LOCATION IS FROM NEXT TO HOLD DOWN MODULE WITH STARTING MODULE AS "#1".
- BOTTOM AND TOP CIRCUITS ARE INDICATED AS "CKT A" AND "CKT B".
- ALL PARTS ARE SHIPPED WITH A 2-32 TYPE AB SELF-TAPPING SCREW PART NUMBER 73726-0005.
- PACKAGING PROCEDURE AS PER PK-78239-001.

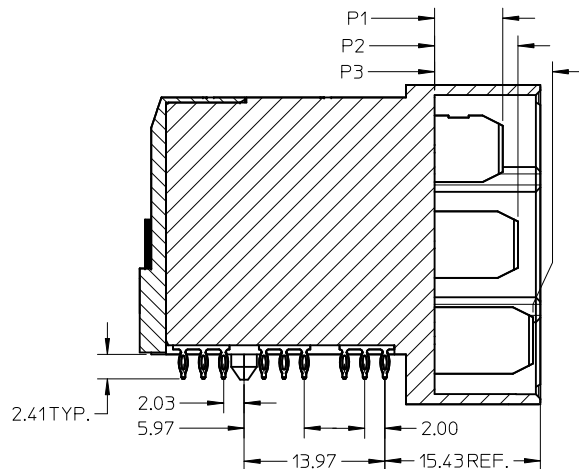
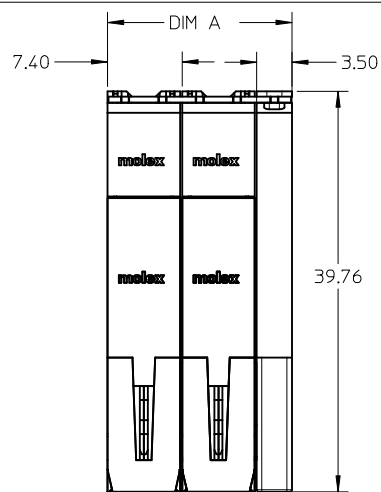
CONSOLIDATE P/N EC NO: S2011-0389 DRWN: SHONG CHKD: LNG APPR: NAGESHKN 2010/10/27 2010/11/03 2010/11/03	QUALITY SYMBOLS	GENERAL TOLERANCES (UNLESS SPECIFIED)	DIMENSION STYLE	SCALE	DESIGN UNITS	THIRD ANGLE PROJECTION
	= 0 = 0	mm INCH 4 PLACES ± --- ± --- 3 PLACES ± --- ± --- 2 PLACES ± 0.25 ± --- 1 PLACE ± --- ± --- ANGULAR ± 3 °	MM ONLY	NTS	METRIC	
	DESCRIPTION	DRAFT WHERE APPLICABLE MUST REMAIN WITHIN DIMENSIONS	DRAWN BY	DATE	TITLE	
	REV		SHONG	2007/09/21	I-TRAC POWER, 15 ROW HEADER WITH HOLD DOWN PRESS-FIT, R/A	
A6		CHECKED BY	DATE	MOLEX INCORPORATED	DOCUMENT NO.	SHEET NO.
		NAGESHKN	2010/11/03	SD-78239-001		1 OF 3
		MATERIAL NO.	DATE	THIS DRAWING CONTAINS INFORMATION THAT IS PROPRIETARY TO MOLEX INCORPORATED AND SHOULD NOT BE USED WITHOUT WRITTEN PERMISSION		
			2010/11/03			

LEFT HOLD DOWN OPTION

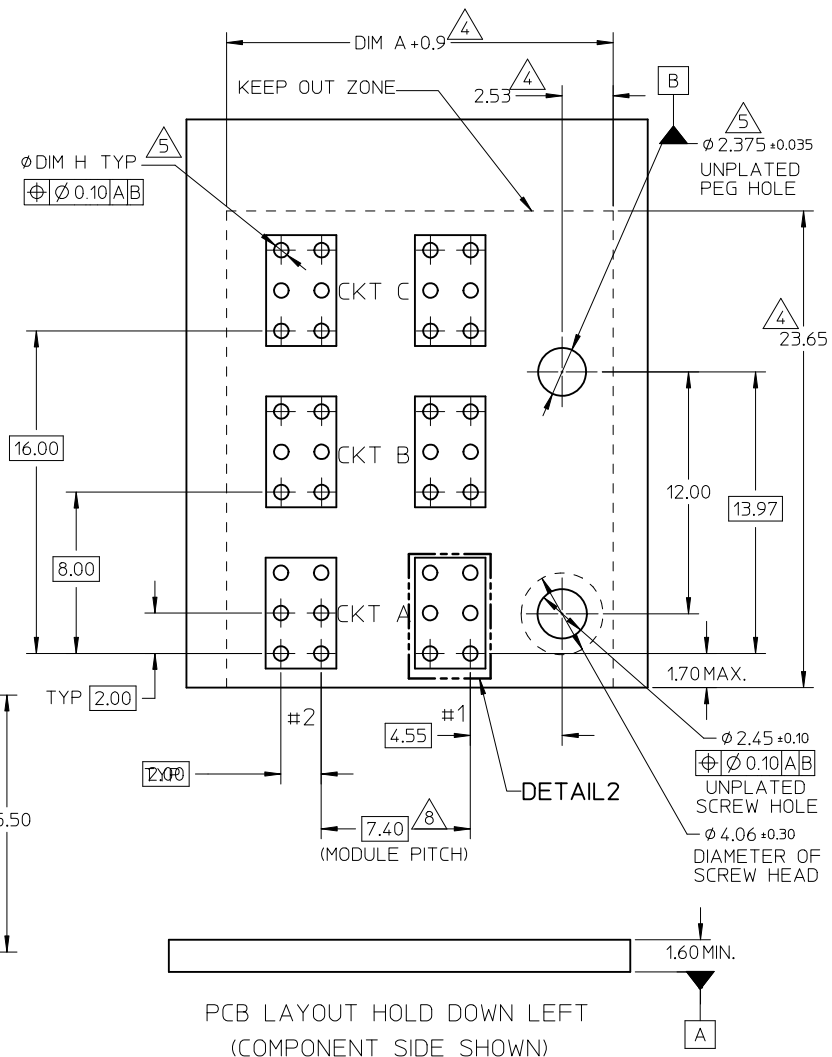
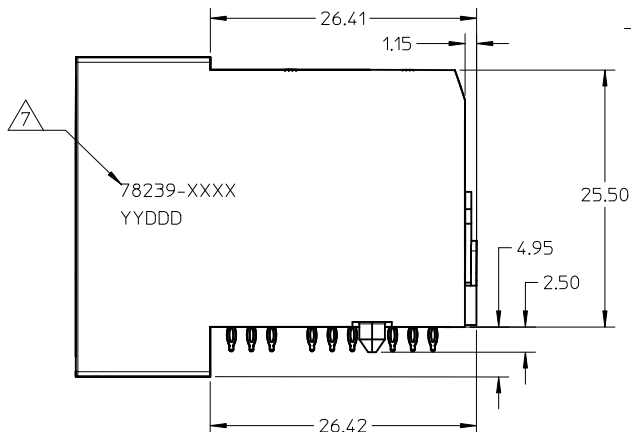
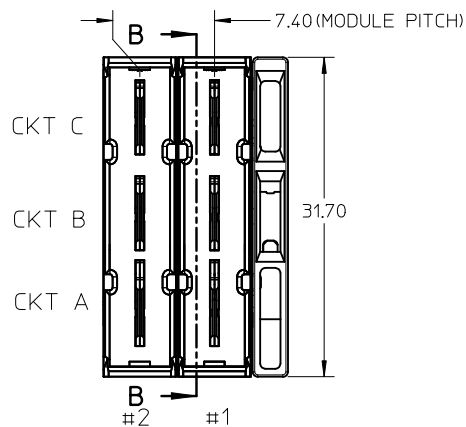


CONSOLIDATE P/N EC NO: S2071-0389 DRWN: SHONG CHKD: LNG APPR: NAGESHKIN 2010/10/27 2010/11/03 2010/11/03	QUALITY SYMBOLS ▽=0 ◻=0	GENERAL TOLERANCES (UNLESS SPECIFIED)		DIMENSION STYLE MM ONLY	SCALE NTS	DESIGN UNITS METRIC	THIRD ANGLE PROJECTION		
		4 PLACES ± --- ± --- 3 PLACES ± --- ± --- 2 PLACES ± 0.25 ± --- 1 PLACE ± --- ± ---	mm INCH	DRAWN BY SHONG	DATE 2007/09/21	TITLE I-TRAC POWER, 15 ROW HEADER WITH HOLD DOWN PRESS-FIT, R/A			
		ANGULAR ± 3 °		CHECKED BY LNG	DATE 2007/11/05	MOLEX INCORPORATED			
		DRAFT WHERE APPLICABLE MUST REMAIN WITHIN DIMENSIONS		APPROVED BY NAGESHKIN	DATE 2010/11/03	MATERIAL NO. SEE TABLE	DOCUMENT NO. SD-78239-001	SHEET NO. 2 OF 3	

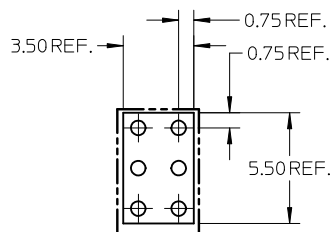
RIGHT HOLD DOWN OPTION



SECTION B-B



PCB LAYOUT HOLD DOWN LEFT
(COMPONENT SIDE SHOWN)



DETAIL2
COPPER PAD REFERENCE

CONSOLIDATE P/N EC NO: S2011-0389 DRWN: SHONG CHKD: LNG APPR: NAGESHK N 2010/10/27 2010/11/03 2010/11/03	QUALITY SYMBOLS ▽=0 ◻=0	GENERAL TOLERANCES (UNLESS SPECIFIED)		DIMENSION STYLE MM ONLY	SCALE NTS	DESIGN UNITS METRIC	THIRD ANGLE PROJECTION		
		4 PLACES ± --- ± --- 3 PLACES ± --- ± --- 2 PLACES ± 0.25 ± --- 1 PLACE ± --- ± ---	mm INCH	DRAWN BY SHONG	DATE 2007/09/21	TITLE I-TRAC POWER, 15 ROW HEADER WITH HOLD DOWN PRESS-FIT, R/A			
		ANGULAR ± 3 °		CHECKED BY LNG	DATE 2007/11/05	MOLEX INCORPORATED			
		DRAFT WHERE APPLICABLE MUST REMAIN WITHIN DIMENSIONS		APPROVED BY NAGESHK N	DATE 2010/11/03	MATERIAL NO. SEE TABLE	DOCUMENT NO. SD-78239-001	SHEET NO. 3 OF 3	
A6		SIZE A3		THIS DRAWING CONTAINS INFORMATION THAT IS PROPRIETARY TO MOLEX INCORPORATED AND SHOULD NOT BE USED WITHOUT WRITTEN PERMISSION					