

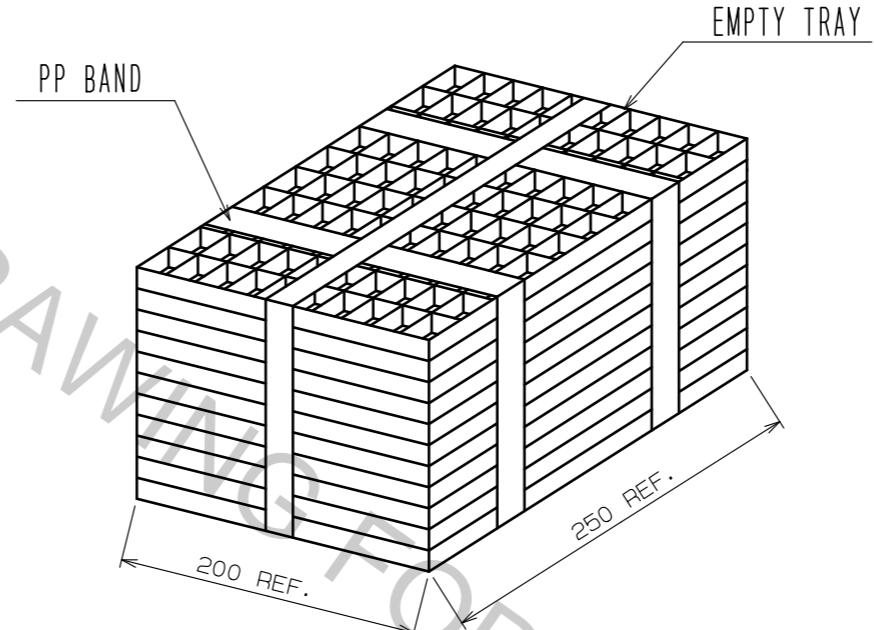
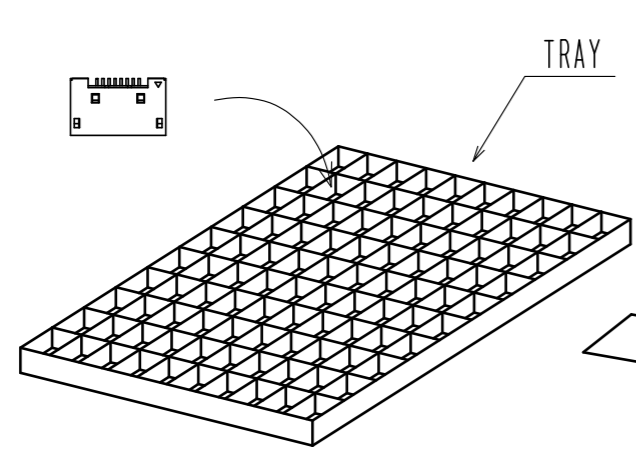
2	PHOSPHOR BRONZE	CONTACT AREA : GOLD 0.2μm MIN. MOUNTING AREA : GOLD 0.03μm MIN. UNDER PLATING : NICKEL 2μm MIN.	3	STAINLESS STEEL	MOUNTING AREA : SELECTIVE GOLD 0.03μm MIN. UNDER PLATING : NICKEL 0.2μm MIN.			
1	PPS	BLACK UL94V-0						
NO.	MATERIAL	FINISH . REMARKS	NO.	MATERIAL	FINISH . REMARKS			
UNITS		SCALE	COUNT	DESCRIPTION OF REVISIONS		DESIGNED	CHECKED	DATE
mm		4 : 1						
HRS HIROSE ELECTRIC CO., LTD.		APPROVED : NM. NISHIMATSU	16.04.08	DRAWING NO.		EDC-046585-55-00		
		CHECKED : NM. NISHIMATSU	16.04.08	PART NO.		3260-8S2(55)		
		DESIGNED : P. EKSOURIYA	16.04.08	CODE NO.		CL232-0009-6-55		
		DRAWN : P. EKSOURIYA	16.04.08			1/2		

May.1.2017 Copyright 2017 HIROSE ELECTRIC CO., LTD. All Rights Reserved.

3 PACKAGING

1. THE CONNECTOR IS PUT IN A TRAY IN 100 PCS.

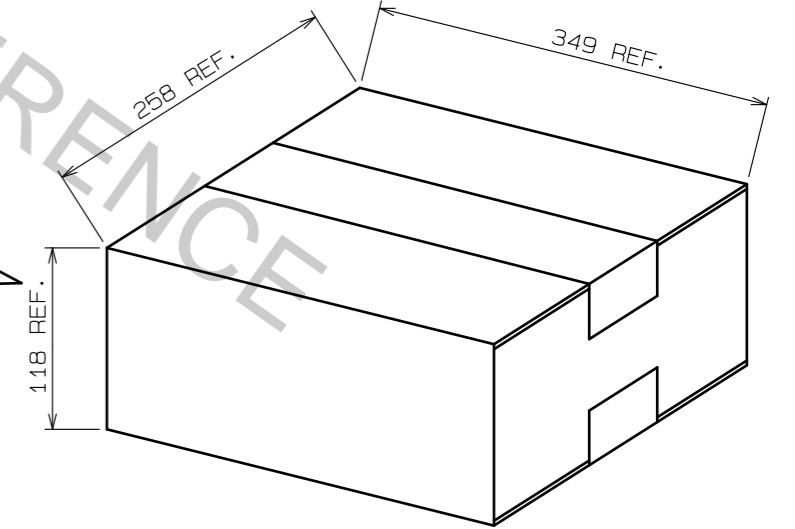
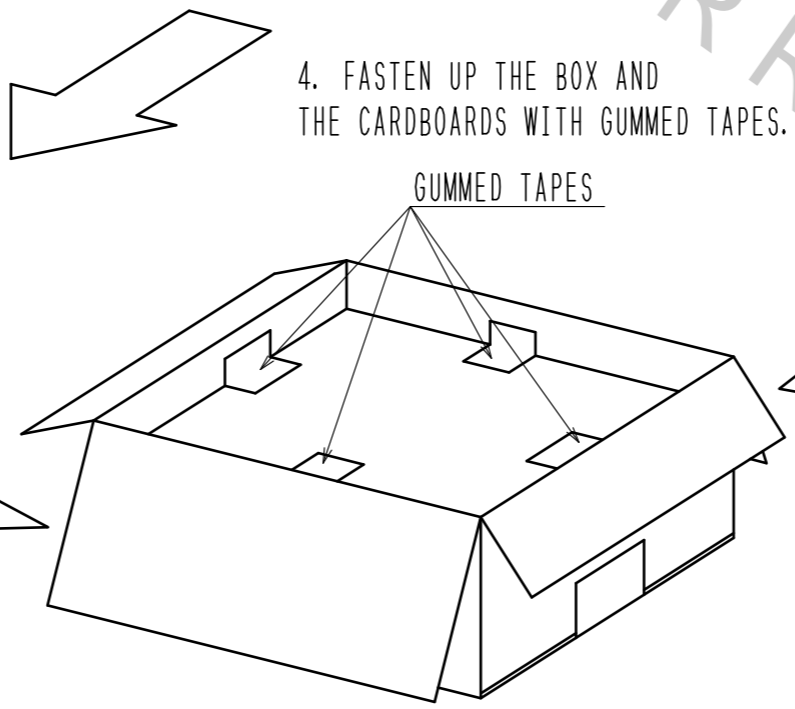
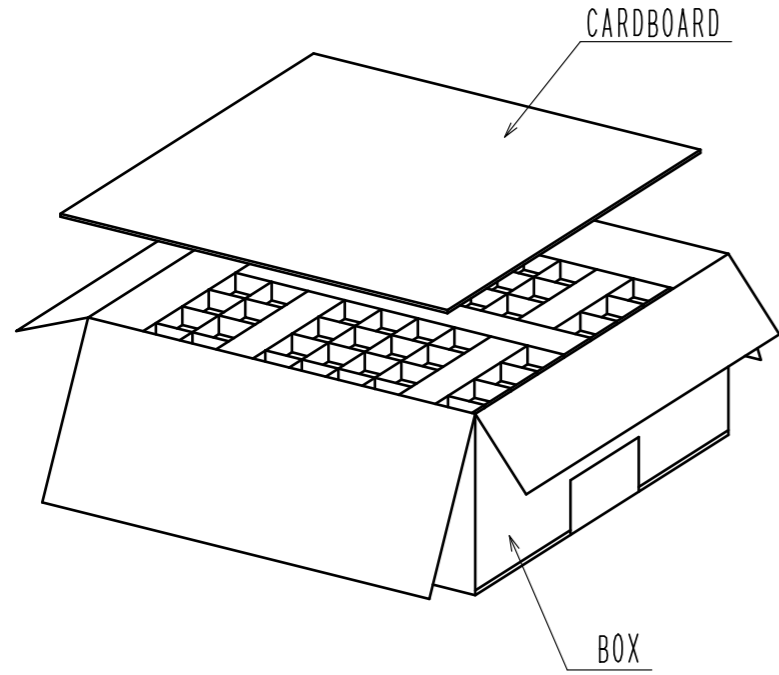
2. 10 TRAYS OF THE CONNECTOR ARE PILED UP ALTERNATELY.
CONNECTOR QUANTITY 1000 PCS

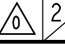


3. PILED UP A PACK OF TRAYS WHICH Banded IN A BOX.
COVER THE TOP WITH THE CARDBOARD.

4. FASTEN UP THE BOX AND
THE CARDBOARDS WITH GUMMED TAPES.

5. CLOSE THE BOX AND FASTEN UP WITH GUMMED TAPES.



HRS	DRAWING NO.	EDC-046585-55-00	 2/2
	PART NO.	3260-8S2(55)	
	CODE NO.	CL232-0009-6-55	