

10 9 8 7 6 5 4 3 2 1

NOTES :

1. MATERIAL :
 HOUSING : (a) HIGH TEMP. NYLON ,GLASS FIBER FILLED,UL94V-0, COLOR: BLACK,
 (b) POLYESTER , GLASS FIBER FILLED,UL94V-0, COLOR: WHITE,
 TERMINAL : PHOSPHOR BRONZE
 METAL SHELL : COPPER ALLOY

2. PLATING :

TERMINAL :
 CONTACT AREA : (a) GOLD FLASH.
 (b) GLOD (Au), THICKNESS = 30 MICROINCH MINIMUM.
 /0.76 MICROMETER MINIMUM.

SOLDER TAIL :
 PURE TIN(Sn) THICKNESS= 75 MICROINCH MINIMUM .
 /1.9 MICROMETER MINIMUM.

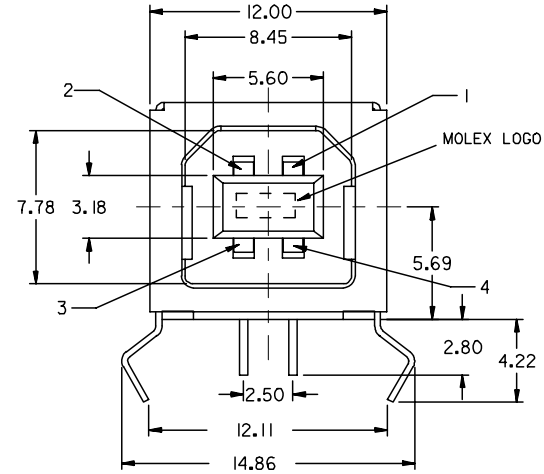
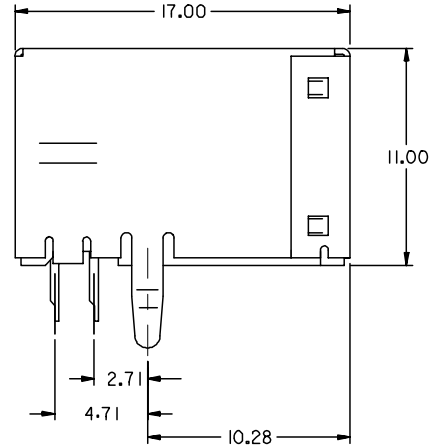
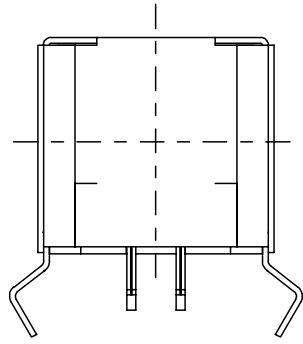
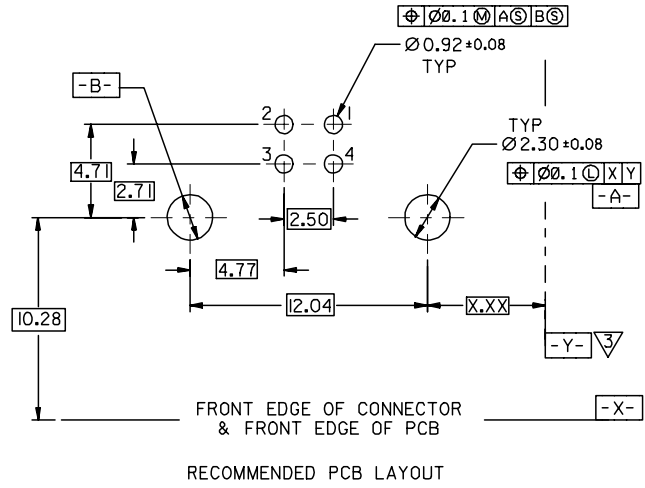
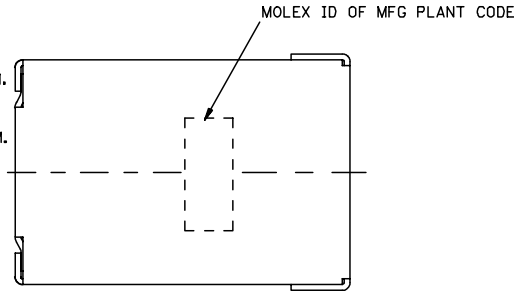
UNDER PLATE : NICKEL (Ni), THICKNESS= 50 MICROINCH MINIMUM.
 /1.27 MICROMETER MINIMUM.

METAL SHELL :
 PURE TIN(Sn) , THICKNESS= 50 MICROINCH MINIMUM.
 /1.27 MICROMETER MINIMUM.

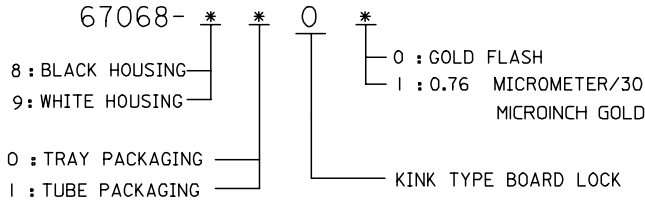
UNDER PLATE : NICKEL (Ni) , THICKNESS= 50 MICROINCH MINIMUM.
 /1.27 MICROMETER MINIMUM.

▽ DATUM AND BASIC DIMENSIONS ESTABLISHED BY CUSTOMER
 RECOMMENDED PCB THICKNESS : 1.60±0.05

4 PRODUCT SPECIFICATION : REFER TO PS-67998-0000



PART NUMBER LEGEND:



NEW RELEASE EC NO: SH2005-0142 DRWN: DAVID HU 2004/11/5 CHKD:HARVEY 2004/11/25 APPR:TYAP 2004/11/25	DESCRIPTION
REV	

QUALITY SYMBOLS	▽=0
	▽C=0

GENERAL TOLERANCES (UNLESS SPECIFIED)	
	mm INCH
4 PLACES	± --- ± ---
3 PLACES	± --- ± ---
2 PLACES	± 0.25 ± ---
1 PLACE	± 0.25 ± ---
ANGULAR ± 3 °	

DIMENSION STYLE		SCALE		DESIGN UNITS	
MM ONLY		4:1		METRIC	
DRAWN BY	DATE	TITLE			
DAVID HU	2004/11/05	USB B TYPE CONNECTOR			
CHECKED BY	DATE	KINK TYPE BOARD LOCK			
HARVEY	2004/11/05	(LEAD-FREE)			
APPROVED BY	DATE				

THIRD ANGLE PROJECTION	
MOLEX INCORPORATED	
MATERIAL NO.	DOCUMENT NO.
SD-67068-003	SD-67068-003
SHEET NO.	1 OF 4

DRAFT WHERE APPLICABLE
 MUST REMAIN
 WITHIN DIMENSIONS

SEE NOTES
 THIS DRAWING CONTAINS INFORMATION THAT IS PROPRIETARY TO MOLEX INCORPORATED AND SHOULD NOT BE USED WITHOUT WRITTEN PERMISSION

9 8 7 6 5 4 3 2 1

10 9 8 7 6 5 4 3 2 1

NOTES :

1. MATERIAL :
 HOUSING : (a) HIGH TEMP. NYLON, GLASS FIBER FILLED, UL94V-0, COLOR: BLACK,
 (b) POLYESTER, GLASS FIBER FILLED, UL94V-0, COLOR: WHITE,
 TERMINAL : PHOSPHOR BRONZE
 METAL SHELL : COPPER ALLOY

2. PLATING :
 TERMINAL :
 CONTACT AREA : (a) GOLD FLASH.
 (b) GLOD (Au), THICKNESS = 30 MICROINCH MINIMUM.
 /0.76 MICROMETER MINIMUM.

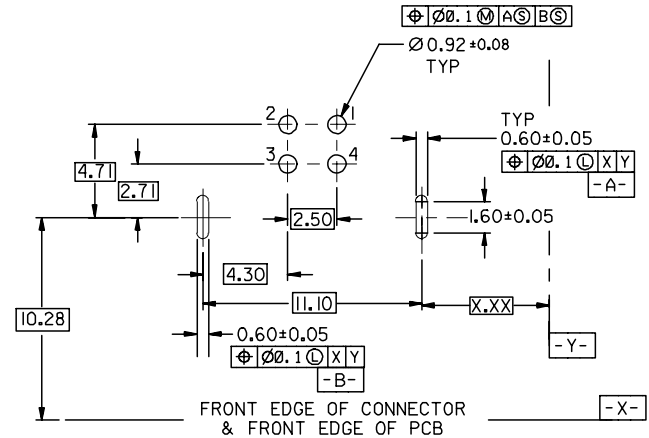
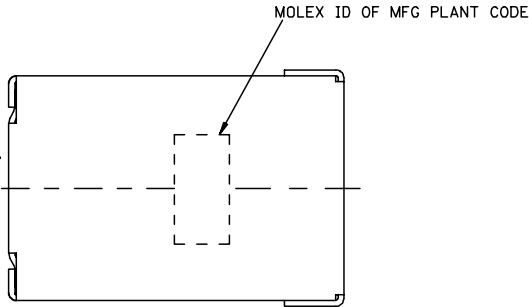
SOLDER TAIL :
 PURE TIN(Sn) THICKNESS= 75 MICROINCH MINIMUM .
 /1.9 MICROMETER MINIMUM.

UNDER PLATE : NICKEL (Ni), THICKNESS= 50 MICROINCH MINIMUM.
 /1.27 MICROMETER MINIMUM.

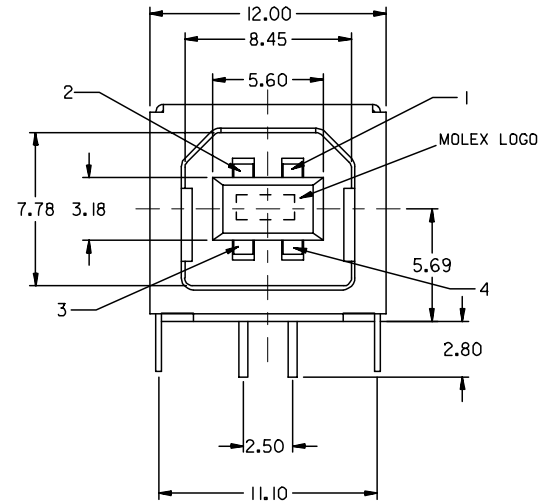
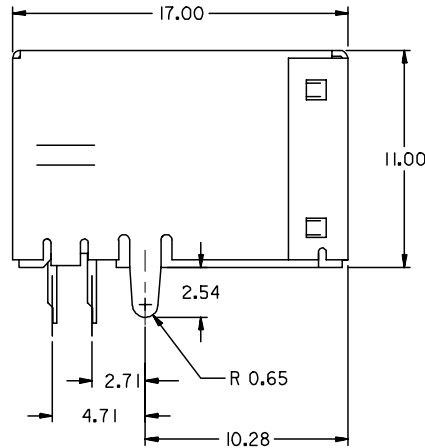
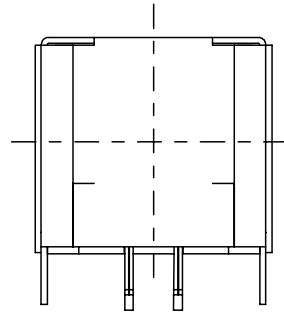
METAL SHELL :
 PURE TIN(Sn) THICKNESS= 50 MICROINCH MINIMUM.
 /1.27 MICROMETER MINIMUM.

UNDER PLATE : NICKEL (Ni), THICKNESS= 50 MICROINCH MINIMUM.
 /1.27 MICROMETER MINIMUM.

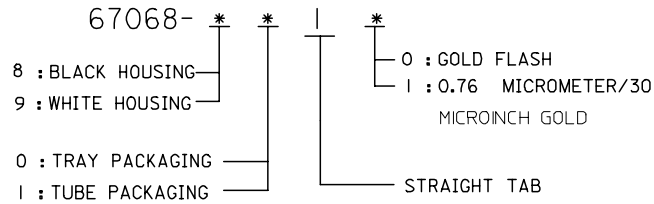
3 DATUM AND BASIC DIMENSIONS ESTABLISHED BY CUSTOMER
 RECOMMENDED PCB THICKNESS : 1.60±0.05
 4 PRODUCT SPECIFICATION : REFER TO PS-67998-0000



RECOMMENDED PCB LAYOUT



PART NUMBER LEGEND:



NEW RELEASE EC NO: SH2005-0142 DRWN: DAVID HU 2004/11/05 CHKD: HARVEY 2004/11/25 APPR: TYAP 2004/11/25	QUALITY SYMBOLS	GENERAL TOLERANCES (UNLESS SPECIFIED)	DIMENSION STYLE MM ONLY	SCALE 4:1	DESIGN UNITS METRIC	THIRD ANGLE PROJECTION
	▽=0 ∇=0	4 PLACES ± --- ± --- 3 PLACES ± --- ± --- 2 PLACES ± 0.25 ± --- 2004/11/05 1 PLACE ± 0.25 ± ---	mm INCH	DRAWN BY DAVID HU	DATE 2004/11/05	TITLE USB B TYPE CONNECTOR WITH STRAIGHT TAB (LEAD-FREE)
		ANGULAR ± 3 °	APPROVED BY DATE	MOLEX INCORPORATED		
		DRAFT WHERE APPLICABLE MUST REMAIN WITHIN DIMENSIONS	SEE NOTES	MATERIAL NO.	DOCUMENT NO. SD-67068-003	SHEET NO. 2

9 8 7 6 5 4 3 2 1

8 7 6 5 4 3 2 1

NOTES :
 1. MATERIAL :
 HOUSING : (a) HIGH TEMP. NYLON, GLASS FIBER FILLED, UL94V-0, COLOR: BLACK,

TERMINAL : PHOSPHOR BRONZE
 METAL SHELL : COPPER ALLOY

2. PLATING :
 TERMINAL :
 CONTACT AREA : (a) GOLD FLASH.
 (b) GL0D (Au), THICKNESS = 30 MICROINCH MINIMUM.
 /0.76 MICROMETER MINIMUM.

SOLDER TAIL :
 PURE TIN(Sn) THICKNESS= 75 MICROINCH MINIMUM .
 /1.9 MICROMETER MINIMUM.

UNDER PLATE : NICKEL (Ni), THICKNESS= 50 MICROINCH MINIMUM.
 /1.27 MICROMETER MINIMUM.

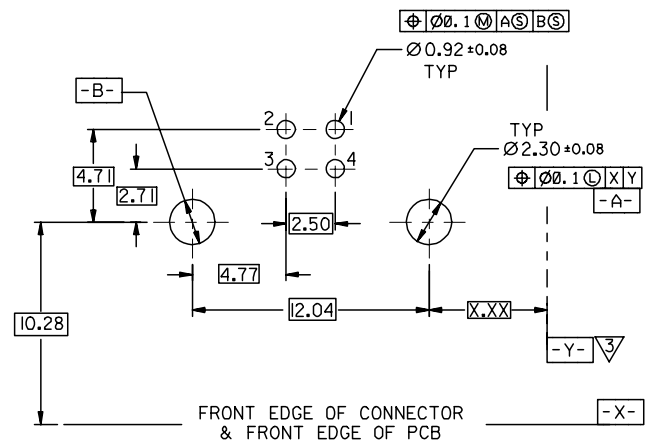
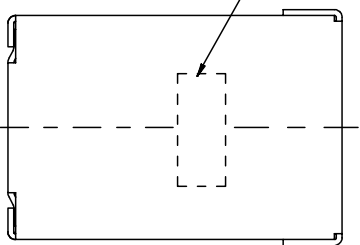
METAL SHELL :
 PURE TIN(SN), THICKNESS= 50 MICROINCH MINIMUM.
 /1.27 MICROMETER MINIMUM.

UNDER PLATE : NICKEL (Ni), THICKNESS= 50 MICROINCH MINIMUM.
 /1.27 MICROMETER MINIMUM.

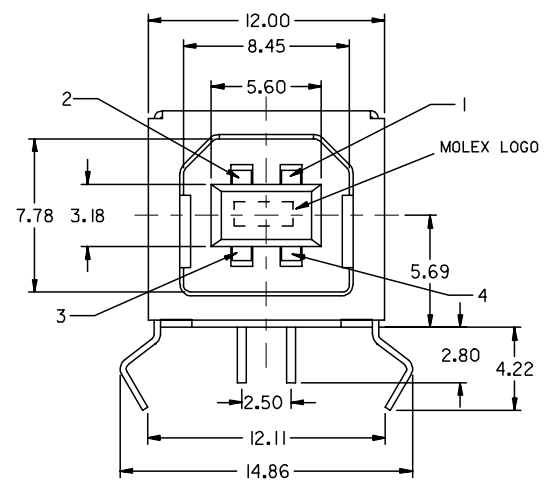
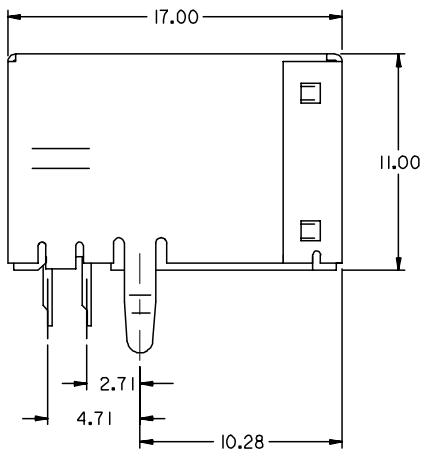
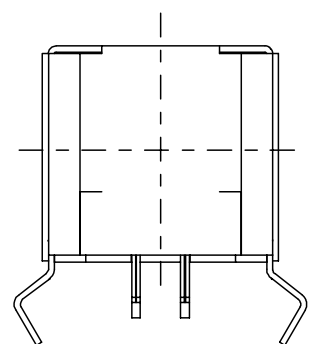
▽ DATUM AND BASIC DIMENSIONS ESTABLISHED BY CUSTOMER
 RECOMMENDED PCB THICKNESS : 1.60±0.05

4 PRODUCT SPECIFICATION : REFER TO PS-67998-0000

MOLEX ID OF MFG PLANT CODE



FRONT EDGE OF CONNECTOR
 & FRONT EDGE OF PCB
 RECOMMENDED PCB LAYOUT



PART NUMBER LEGEND:

67068- 7041

ENG. NO.
 EDP NO.
 SIMILAR ITEM
 CAD FILE :
 DO NOT SCALE DRAWING

				MATERIAL : SEE NOTES		 MOLEX TAIWAN LTD. SHEET 3 OF 4
				FINISH : SEE NOTES		
				WIRE RANGE :		GENERAL TOLERANCES ANGLE : ± 3° DIM : ± .25/.010
				INS. RANGE :		ENG. NO.: SD-67068-003
A	NEW RELEASE FOR LEAD-FREE		DAVID HU	2004/11/5		REV A
LTR	REVISION RECORD	ECN	DR	DATE	DRAWN BY 2004/11/5 DAVID HU	CHK'D BY
REVISE ONLY ON CAD SYSTEM					APPR'D BY	SCALE 4 : 1
TITLE : HIGH TEMP.USB B TYPE CONNECTOR KINK TYPE BOARD LOCK (LEAD-FREE)						

ENG. NO SDA-67068-****

EDP NO.

SIMILAR ITEM

CAD FILE : S6706802

DO NOT SCALE DRAWING

NOTES :

1. MATERIAL :

HOUSING : (a) HIGH TEMP. NYLON, GLASS FIBER FILLED, UL94V-0, COLOR: BLACK,

TERMINAL : PHOSPHOR BRONZE
METAL SHELL : COPPER ALLOY

2. PLATING :

TERMINAL :
CONTACT AREA : (a) GOLD FLASH,
(b) GL0D (Au), THICKNESS = 30 MICROINCH MINIMUM.
/0.76 MICROMETER MINIMUM.

SOLDER TAIL :
PURE TIN(Sn) THICKNESS= 75 MICROINCH MINIMUM .
/1.9 MICROMETER MINIMUM.

UNDER PLATE : NICKEL (Ni), THICKNESS= 50 MICROINCH MINIMUM.
/1.27 MICROMETER MINIMUM.

METAL SHELL :
PURE TIN(Sn) THICKNESS= 50 MICROINCH MINIMUM.
/1.27 MICROMETER MINIMUM.

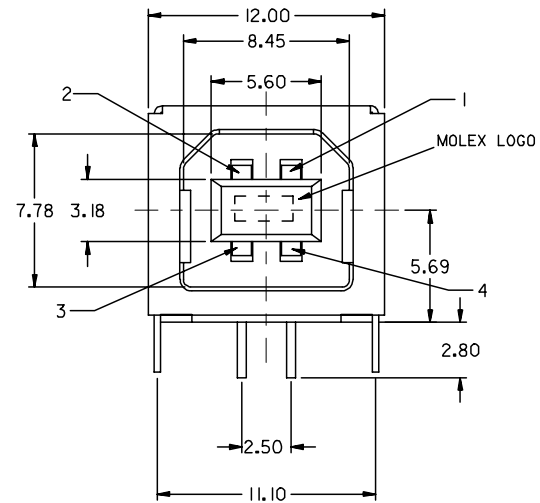
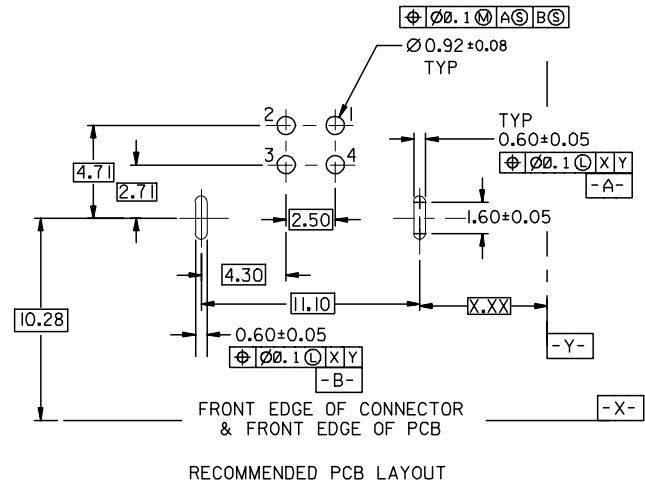
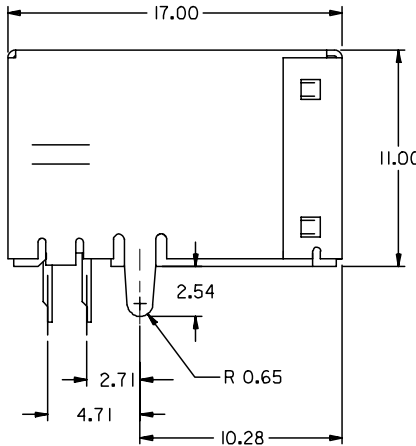
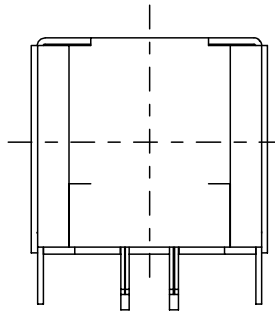
UNDER PLATE : NICKEL (Ni), THICKNESS= 50 MICROINCH MINIMUM.
/1.27 MICROMETER MINIMUM.

3 DATUM AND BASIC DIMENSIONS ESTABLISHED BY CUSTOMER

RECOMMENDED PCB THICKNESS : 1.60±0.05

4 PRODUCT SPECIFICATION : REFER TO PS-67998-0000

MOLEX ID OF MFG PLANT CODE



PART NUMBER LEGEND:

67068- 7051

				MATERIAL : SEE NOTES		 MOLEX TAIWAN LTD. SHEET 4 OF 4
				FINISH : SEE NOTES		
				WIRE RANGE :		GENERAL TOLERANCES ANGLE : ± 3° DIM : ± .25/.010
				INS. RANGE :		ENG. NO.: SD-67068-003
A	NEW RELEASE FOR LEAD-FREE		DAVID HU	2004/11/5		REV A
LTR	REVISION RECORD	ECN	DR	DATE	DRAWN BY 2004/11/5 DAVID HU	CHK'D BY
REVISE ONLY ON CAD SYSTEM					APPR'D BY	SCALE 4 : 1
TITLE : HIGH TEMP/USB B TYPE CONNECTOR WITH STRAIGHT TAB (LEAD-FREE)						

NOTES:

1.MATERIAL:

HOUSING:

- (a)HIGH TEMP,NYLON,GLASS FIBRE FILLED,UL94V-0,COLOR: 8#BLACK
 - (b)POLYESTER(PBT),30% GLASS FIBER FILLED,UL94V-0,COLOR: 9#WHITE
- TERMINAL: PHOSPHOR BRONZE
METAL SHELL: COPPER ALLOY

2.PLATING:

TERMINAL:

- (c)GOLD FLASH ON CONTACT AREA,75 MICROINCH MINIMUM PURE TIN(Sn) ON SOLDER TAIL,UNDER 50 MICROINCH MINIMUM NICKEL(Ni) PLATE.
- (d)30 MICROINCH MINIMUM GOLD(Au) ON CONTACT AREA,75 MICROINCH MINIMUM PURE TIN(Sn) ON SOLDER TAIL,UNDER 50 MICROINCH MINIMUM NICKEL(Ni) PLATE.
- (e)GOLD FLASH ON CONTACT AREA,75 MICROINCH MINIMUM MATTE TIN(Sn) ON SOLDER TAIL,UNDER 50 MICROINCH MINIMUM NICKEL(Ni) PLATE.
- (f)30 MICROINCH MINIMUM GOLD(Au) ON CONTACT AREA,75 MICROINCH MINIMUM MATTE TIN(Sn) ON SOLDER TAIL,UNDER 50 MICROINCH MINIMUM NICKEL(Ni) PLATE.

METAL SHELL:

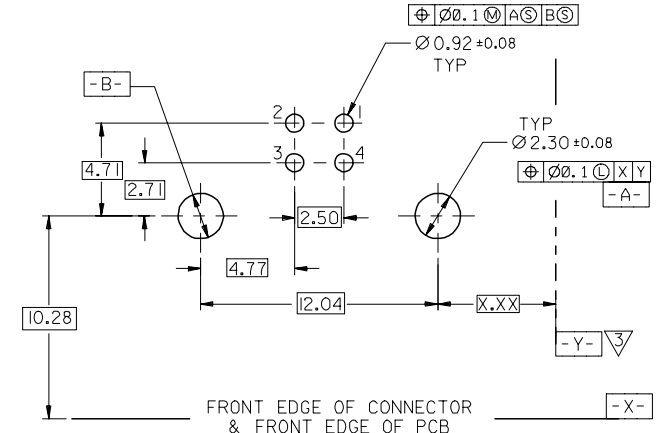
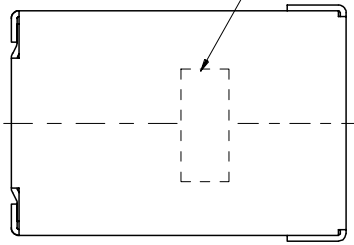
- (g)50 MICROINCH MINIMUM PURE TIN(Sn),UNDER 50 MICROINCH MINIMUM NICKEL(Ni) PLATE.
- (h)50 MICROINCH MINIMUM MATTE TIN(Sn),UNDER 50 MICROINCH MINIMUM NICKEL(Ni) PLATE.

3. DATUM AND BASIC DIMENSIONS ESTABLISHED BY CUSTOMER.

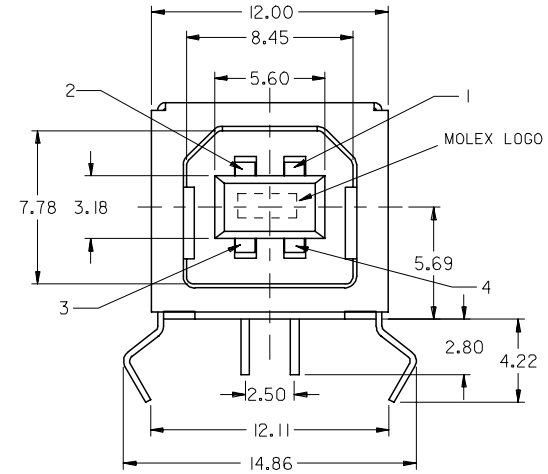
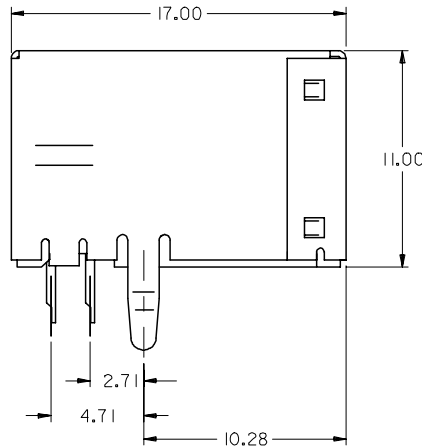
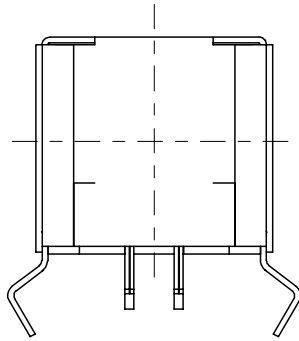
RECOMMENDED PCB THICKNESS : 1.60±0.05

4.PRODUCT SPECIFICATION : REFER TO PS-67998-0000

MOLEX ID OF MFG PLANT CODE



FRONT EDGE OF CONNECTOR & FRONT EDGE OF PCB
RECOMMENDED PCB LAYOUT



P/N	HOUSING COLOR	PLATING
67068-8000	BLACK	GOLD FLASH SEE NOTES(2-(c),2-(g))
67068-8001	BLACK	30MICROINCH Au SEE NOTES(2-(d),2-(g))
67068-9000	WHITE	GOLD FLASH SEE NOTES(2-(c),2-(g))
67068-9001	WHITE	30MICROINCH Au SEE NOTES(2-(d),2-(g))
67068-8012	BLACK	30MICROINCH Au SEE NOTES(2-(f),2-(h))
67068-8013	BLACK	GOLD FLASH SEE NOTES(2-(e),2-(h))

REVISED	EC NO: SH2007-0468	2007/01/19
	DRWN:HYE01	2007/01/19
	CHKD:WANG	2007/01/19
	APPR: JNCHEN	2007/01/26
REV	DESCRIPTION	

QUALITY SYMBOLS	▽=0
	∇=0

GENERAL TOLERANCES (UNLESS SPECIFIED)	
mm	INCH
4 PLACES ±---	±---
3 PLACES ±---	±---
2 PLACES ±0.25	±.010
1 PLACE ±0.25	±.010
ANGULAR ± 3 °	
DRAFT WHERE APPLICABLE MUST REMAIN WITHIN DIMENSIONS	

DIMENSION STYLE MM ONLY	
DRAWN BY	DATE
DAVID HU	2004/11/05
CHECKED BY	DATE
HARVEY	2004/11/05
APPROVED BY	DATE
MATERIAL NO.	
DOCUMENT NO.	
SHEET NO.	

SCALE 4:1	DESIGN UNITS METRIC	THIRD ANGLE PROJECTION
TITLE USB B TYPE CONNECTOR LEAD-FREE		
MOLEX INCORPORATED		
SD-67068-004		1 OF 1
SEE NOTES		
THIS DRAWING CONTAINS INFORMATION THAT IS PROPRIETARY TO MOLEX INCORPORATED AND SHOULD NOT BE USED WITHOUT WRITTEN PERMISSION		