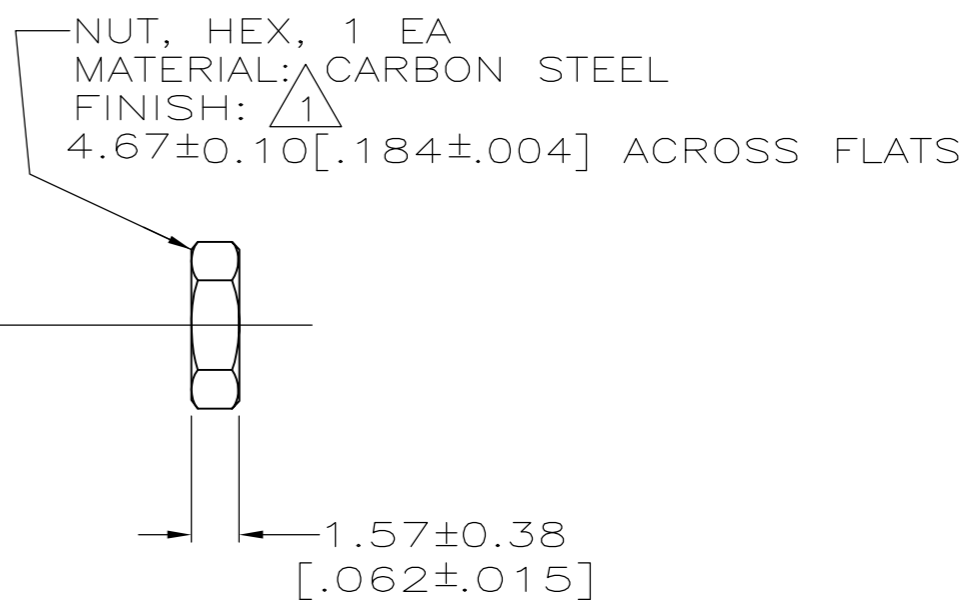
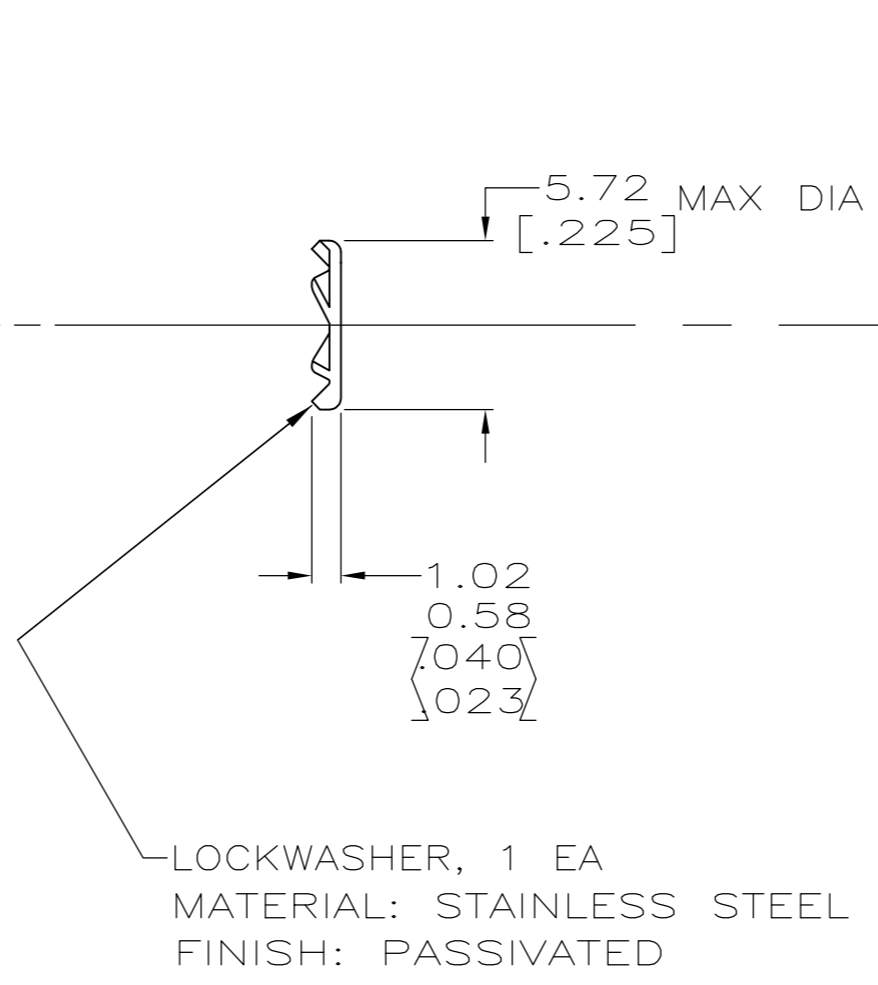
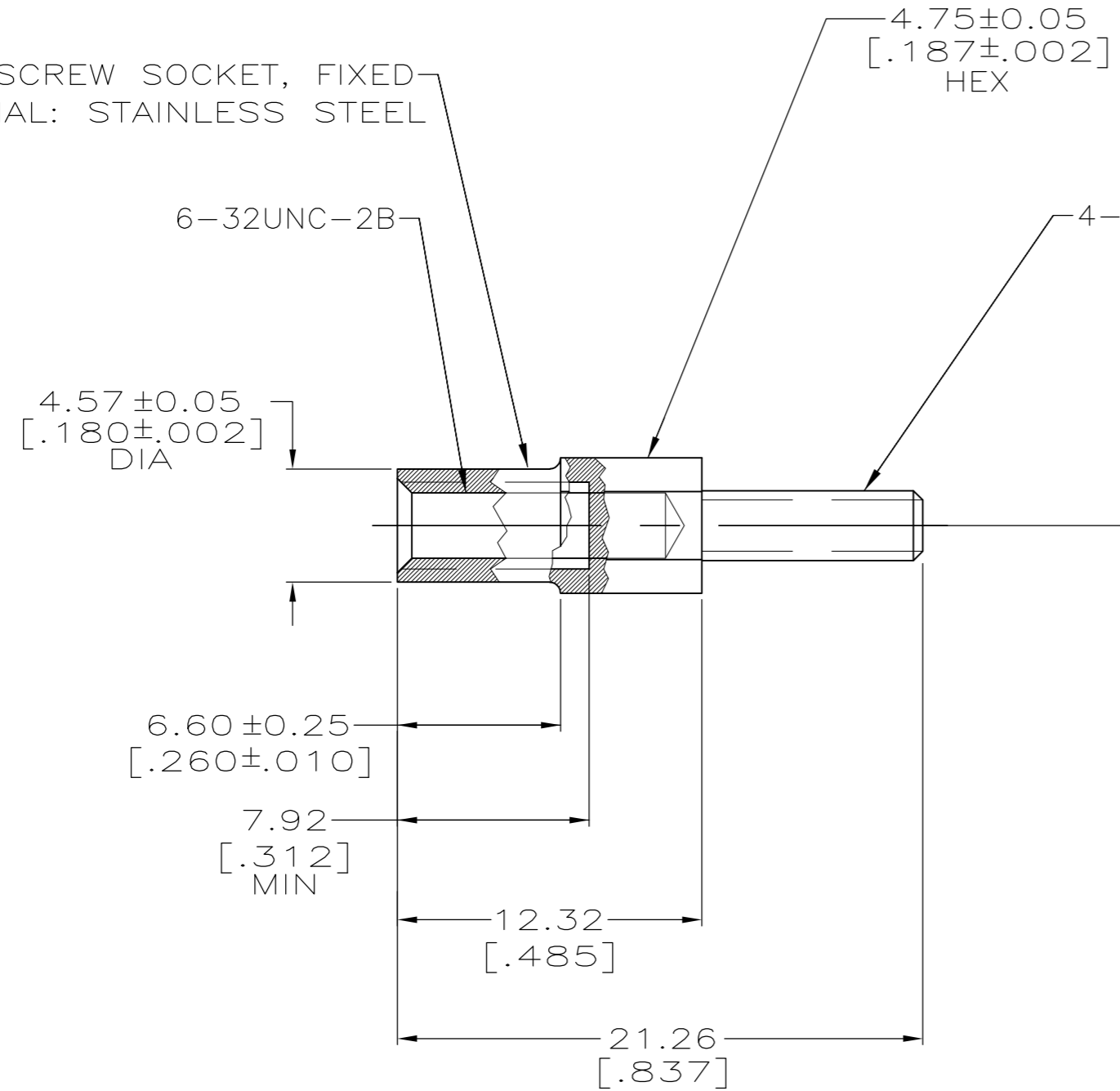


THIS DRAWING IS UNPUBLISHED. RELEASED FOR PUBLICATION
 © COPYRIGHT BY TYCO ELECTRONICS CORPORATION. ALL INTERNATIONAL RIGHTS RESERVED.

LOC	DIST	REVISIONS			
P	LTR	DESCRIPTION	DATE	DWN	APVD
FT	0	N	REVISED PER ECO-10-021995	12JAN11	HMR/MC

1 ZINC PLATED

JACKSCREW SOCKET, FIXED
 MATERIAL: STAINLESS STEEL



	201089-4
SUPERSEDED BY 201089-4	201089-1
	PART NUMBER

THIS DRAWING IS A CONTROLLED DOCUMENT.		DWN D.BROCKWAY 01-18-95	Tyco Electronics Corporation Harrisburg, PA 17105-3608	
DIMENSIONS: mm [INCHES]		CHK R.STONE 01-20-95	NAME JACKSCREW KIT, UNASSEMBLED, FIXED, M SERIES	
TOLERANCES UNLESS OTHERWISE SPECIFIED: 0 PLC ± - 1 PLC ± - 2 PLC ± 0.13 [.005] 3 PLC ± - 4 PLC ± - ANGLES ± -		APVD -	PRODUCT SPEC -	RESTRICTED TO -
MATERIAL SEE CALLOUT		FINISH SEE CALLOUT	APPLICATION SPEC -	SCALE 4:1
		WEIGHT -	SIZE A2	SHEET 1 OF 1
		CUSTOMER DRAWING	CAGE CODE 00779	REV N
			DRAWING NO C=201089	