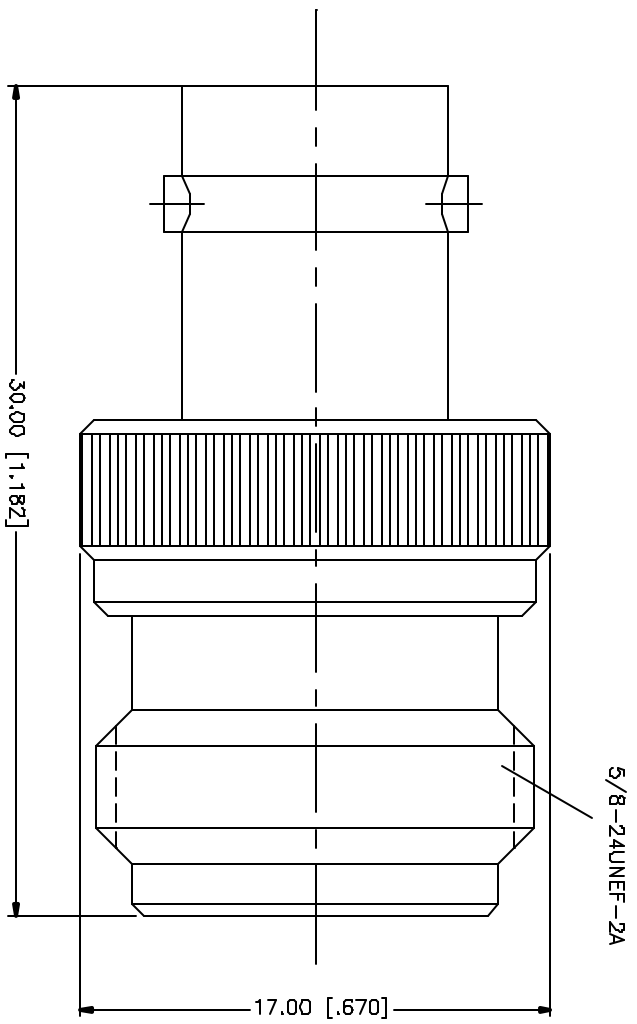


REV.	DATE	DESCRIPTION
A	03/27/05	UPDATE DRAWING FORMAT



REV	DESCRIPTION	MATERIAL	FINISH	QTY	UNITS	APPROVALS	DATE	PART DESCRIPTION
B								<p>Amphenol Connex</p> <p>BNC FEMALE TO N FEMALE ADPTER</p> <p>242100</p>
7								
6								
5								
4								
3	CONTACT PIN	PHOS. BRONZE	COLD	1				
2	INSULATOR	TEFLON	NATURAL	1				
1	BODY	BRASS	NICKEL	1				
DESCRIPTION								

UNITS: DIMENSIONS ARE GIVEN IN INCHES AND FRACTIONS THEREOF UNLESS OTHERWISE SPECIFIED. DIMENSIONS FOR INSULATOR ARE: 0.20 - 0.01mm ± 0.20mm 0.30 - 0.01mm ± 0.40mm 3.00 - 1.20mm ± 0.50mm

UNITS: DIMENSIONS ARE GIVEN IN MILLIMETERS UNLESS OTHERWISE SPECIFIED. DIMENSIONS FOR INSULATOR ARE: .020 - .315 = ± 0.007" .315 - 1.180 = ± 0.015" 1.180 - 4.724 = ± 0.020"

DO NOT SCALE DRAWING

APPROVALS	DATE
DRAWN C.R.S.	03/27/05
CHECKED	
ISSUED	
SHEET 1 OF 1	

CAD FILE	Q:/242/242100.DWG	DWG. NO.	242100.DWG	REV.	A	SIZE	A	SCALE	NA
----------	-------------------	----------	------------	------	---	------	---	-------	----