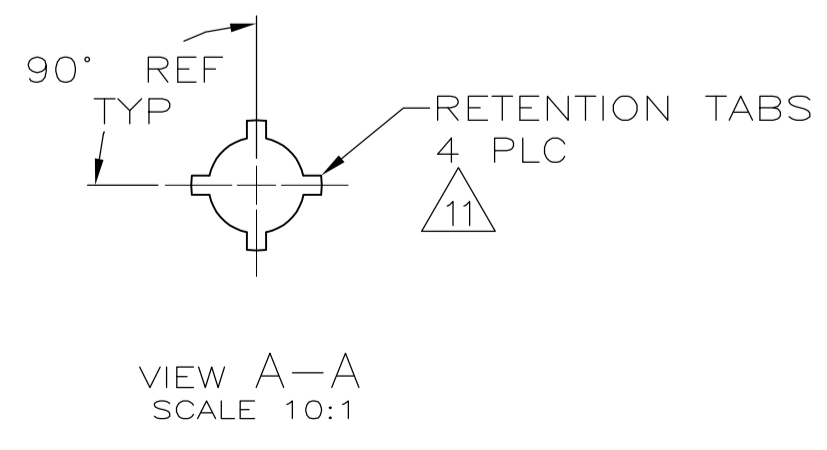
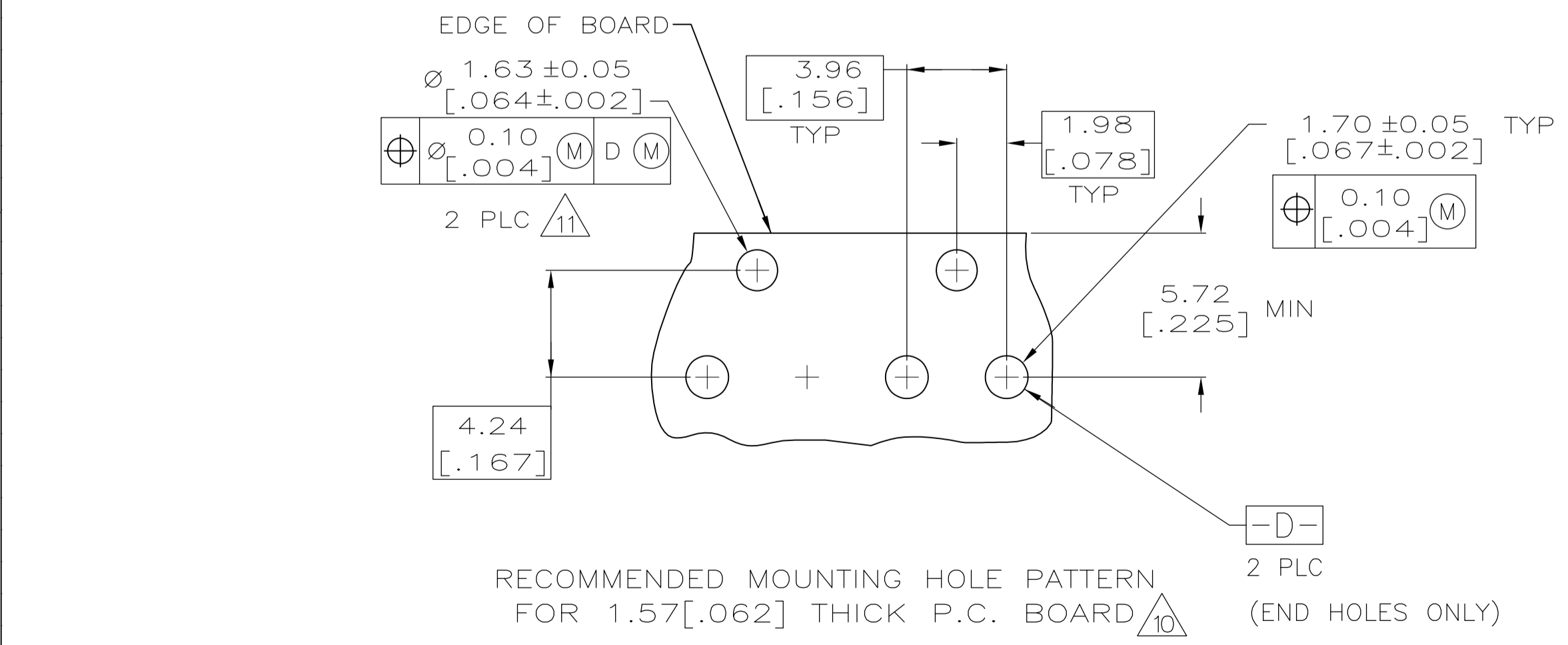
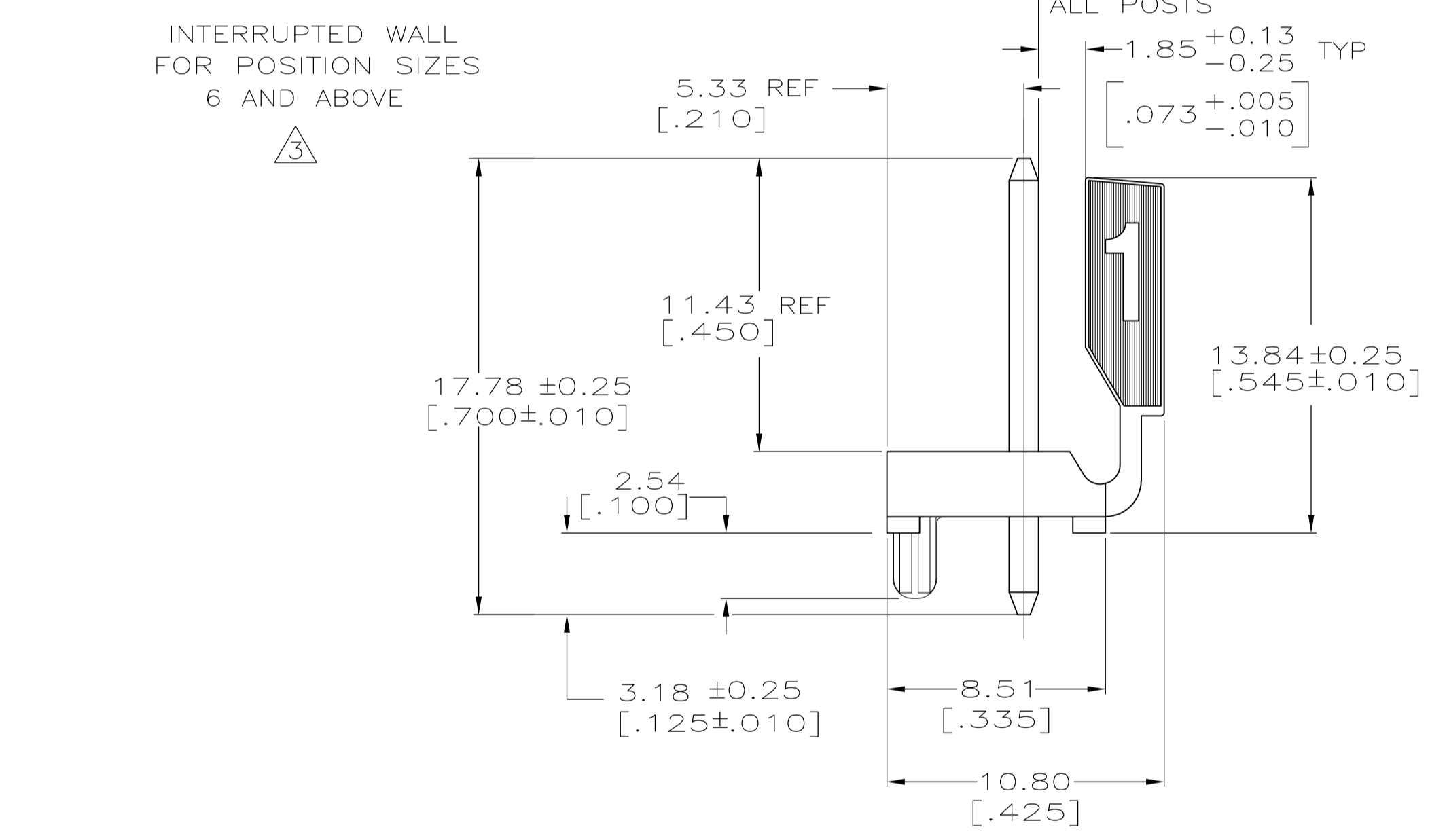
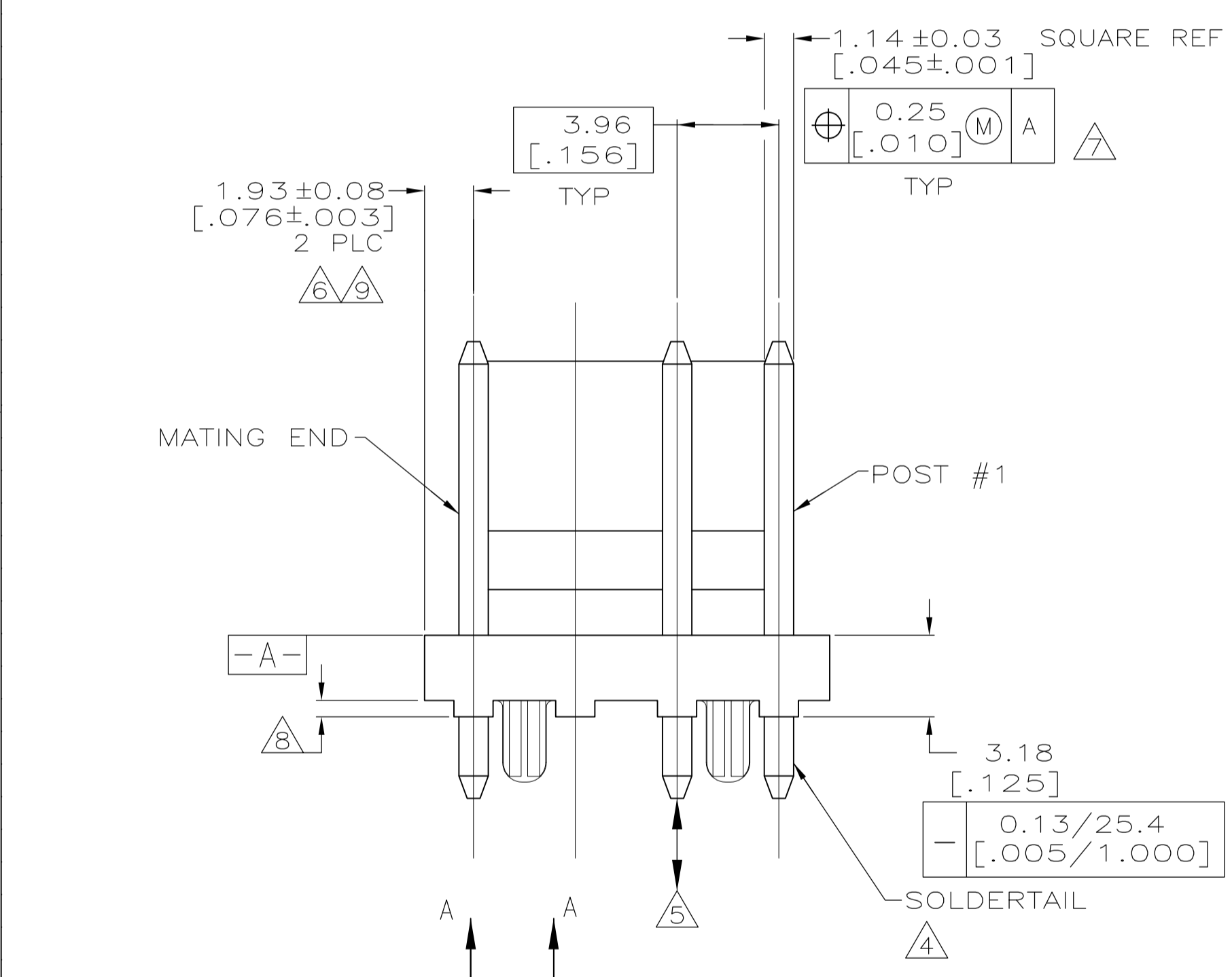
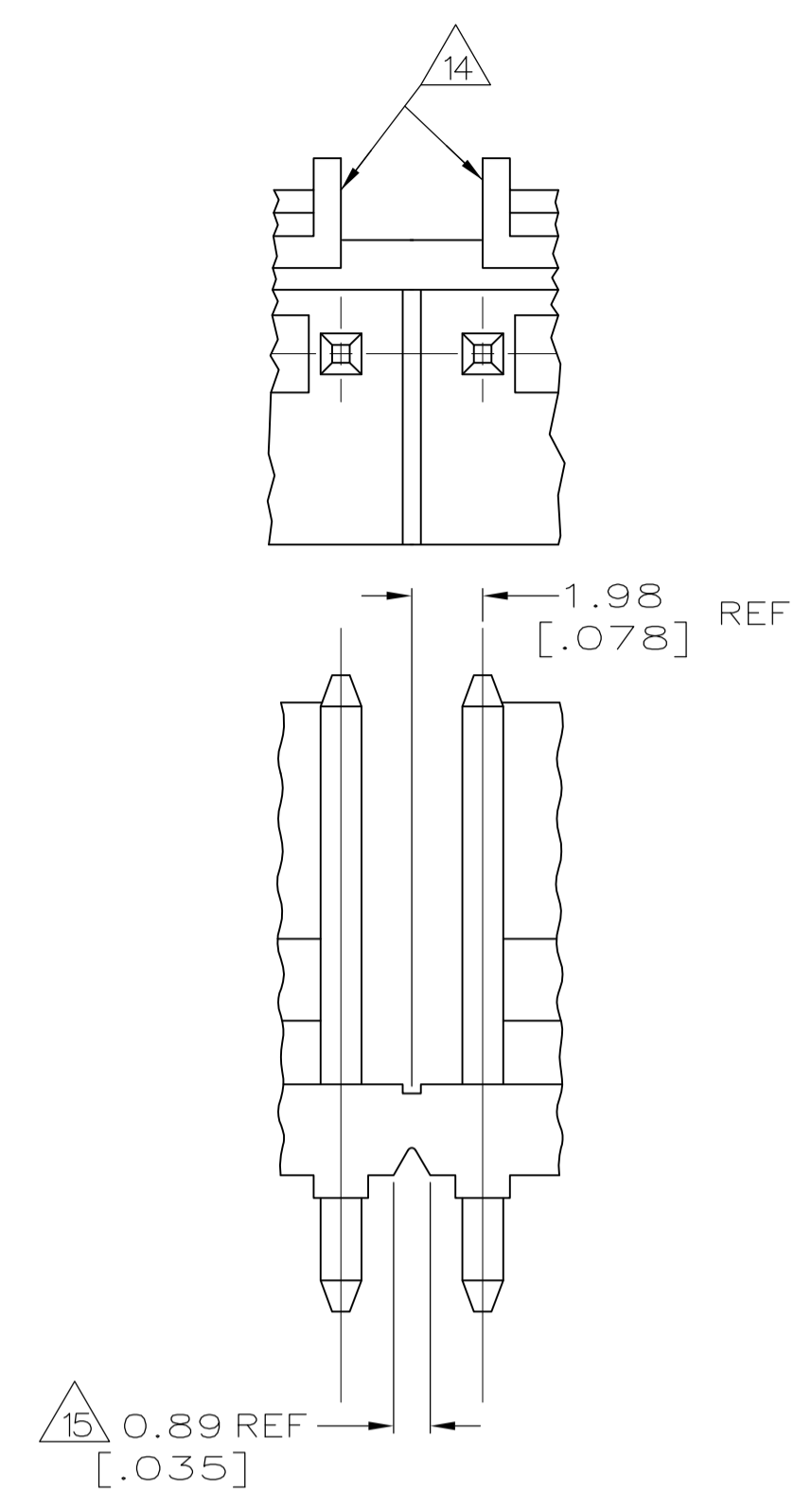
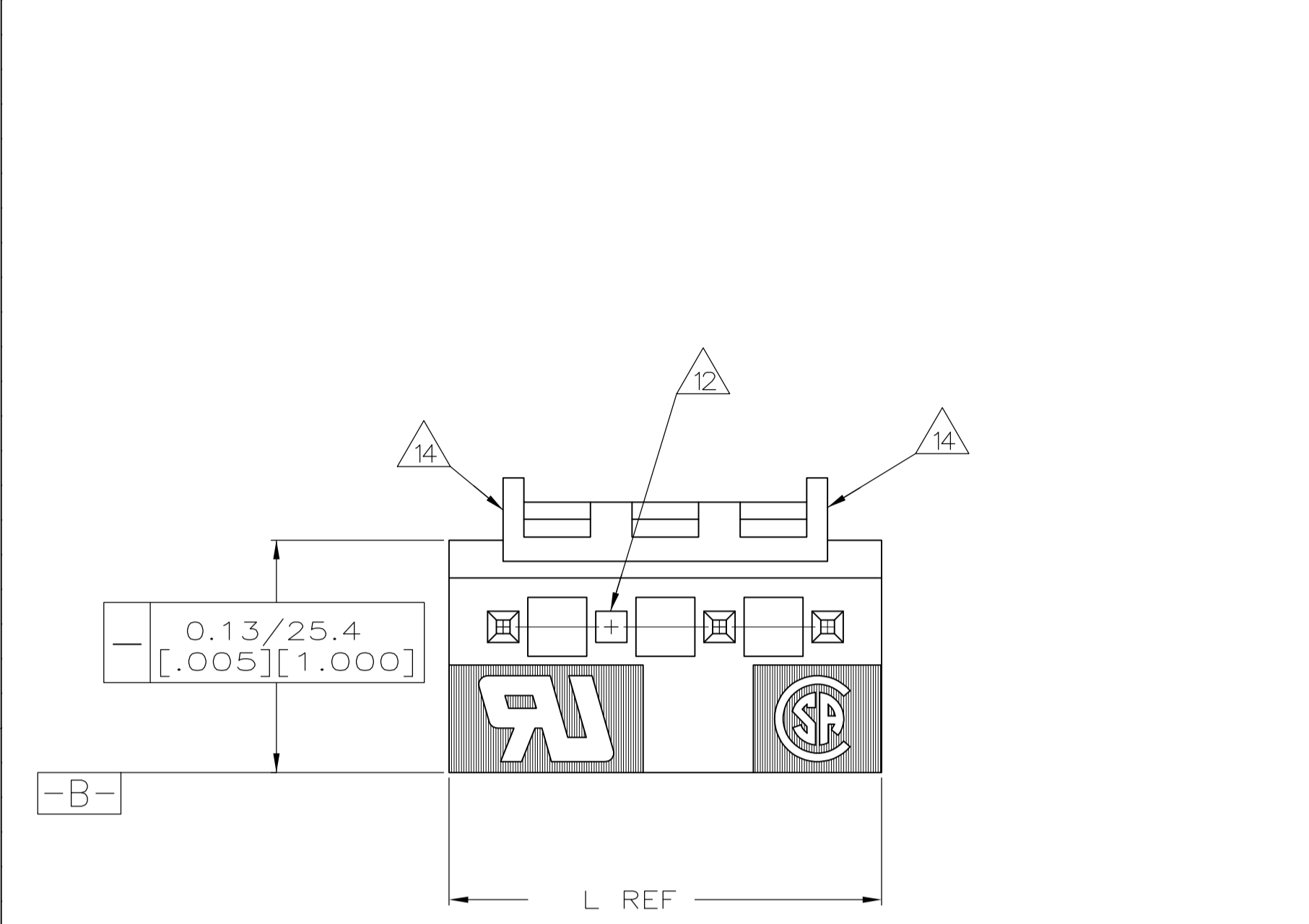


| LOC | | DIST | | REVISIONS | | | |
|-----|-----|---------------------------|---------|-----------|------|--|--|
| P | LTR | DESCRIPTION | DATE | DN | APVD | | |
| D2 | | REVISED PER ECO-09-021172 | 26JAN10 | DH | DY | | |



- 1 MATERIAL
HOUSING: THERMOPLASTIC POLYESTER, GLASS FILLED, UL94V-0.
POST: COPPER ALLOY
- 2 FINISH
HOUSING: NATURAL
POST: BRIGHT TIN-LEAD (93/7) OR MATTE TIN PLATE, 0.00380[.000150]-0.00880[.000350] OVER NICKEL UNDERPLATE, 0.0013[.00005] MIN THICK. SEE PLATING COLUMN FOR DETAILS.
- 3 ALL POSITION SIZES HAVE THE BACKWALL NOTCHED ON BOTH ENDS AS SHOWN.
POSITION SIZES 6 AND ABOVE HAVE AN INTERRUPTED BACKWALL AT VARIOUS LOCATIONS. (SEE TABLE FOR INTERRUPTION(S) LOCATIONS).
- 4 POST SOLDER TAILS COMPLY WITH AMP SOLDERABILITY SPEC 109-11-2.
- 5 POST WITHSTANDS 13.34N (3 LB) MIN AXIAL FORCE IN EITHER DIRECTION WITHOUT DISLODGING.
- 6 APPLIES AT -A-.
- 7 APPLIES WHEN THE HEADER IS STRAIGHT.
- 8 PLASTIC PROJECTIONS PERMITTED IN THIS ZONE.
- 9 COORDINATE DIMENSIONS APPLIES FROM THE CENTER OF THE ACTUAL FEATURE.
- 10 SOLDER SIDE OF BOARD IS SHOWN.
- 11 THE RETENTION TABS PROVIDE A ONE-TIME INTERFERENCE FIT IN THE 1.63[.064] DIAMETER BOARD HOLE FOR HEADER ASSEMBLY RETENTION DURING SOLDERING. FOUR TABS PER PEG, TWO PEGS PER HEADER ASSEMBLY.
- 12 POST NO. 3 OMITTED.
13 DIMENSIONS IN BRACKETS ARE IN INCHES
- 14 EDGE OF POLARIZING LOCK WALL TO BE IN LINE WITH CENTERLINE OF ADJACENT POST WITHIN ±0.13 [.005].
- 15 NOTCH SHOWN MAY OR MAY NOT APPEAR.
- 16 OBSOLETE PART NUMBER

| | | | | | |
|-------|-----------------|-------------------------------------|--------------|-----------------|------------|
| | MATTE TIN | NONE | 19.69 [.775] | 5 | 3-647071-5 |
| | MATTE TIN | NONE | 15.72 [.619] | 4 | 3-647071-4 |
| | MATTE TIN | NONE | 11.76 [.463] | 3 | 3-647071-3 |
| 16 | BRIGHT TIN-LEAD | NONE | 19.69 [.775] | 5 | 647071-5 |
| 16 | BRIGHT TIN-LEAD | NONE | 15.72 [.619] | 4 | 647071-4 |
| 16 | BRIGHT TIN-LEAD | NONE | 11.76 [.463] | 3 | 647071-3 |
| NOTES | PLATING 2 | BACKWALL INTERRUPTIONS BETWEEN POST | L | NO OF POSITIONS | PART NO |

METRIC

THIS DRAWING IS A CONTROLLED DOCUMENT.

| | | | | | |
|-------------------------|--|---------------------------|------------------------|--------------------------|---|
| DIMENSIONS: mm [INCHES] | TOLERANCES UNLESS OTHERWISE SPECIFIED: | DIN K. WHITAKER 07JUN2007 | CK: D. ROSSI 07JUN2007 | APVD: D. ROSSI 07JUN2007 | NAME: MTA-156 HEADER ASSEMBLY, POLARIZED LOCK, STRAIGHT .045 SQUARE POST, TIN-LEAD PLATED |
| 0 PLC ± - | 1 PLC ± - | 2 PLC ± 0.13[.005] | 3 PLC ± - | 4 PLC ± - | ANGLES ± 1° |
| MATERIAL 1 | FINISH 2 | WEIGHT - | SIZE A1 | SCALE 5:1 | RESTRICTED TO |
| CUSTOMER DRAWING | | 00779 | 647071 | SHEET 1 of 1 | REV D2 |