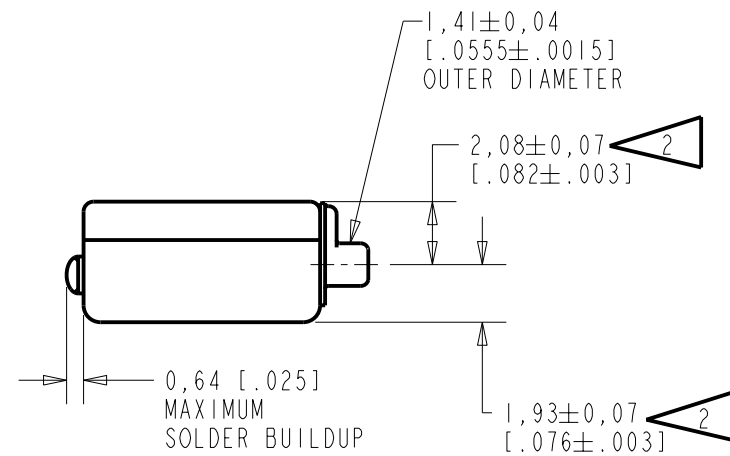
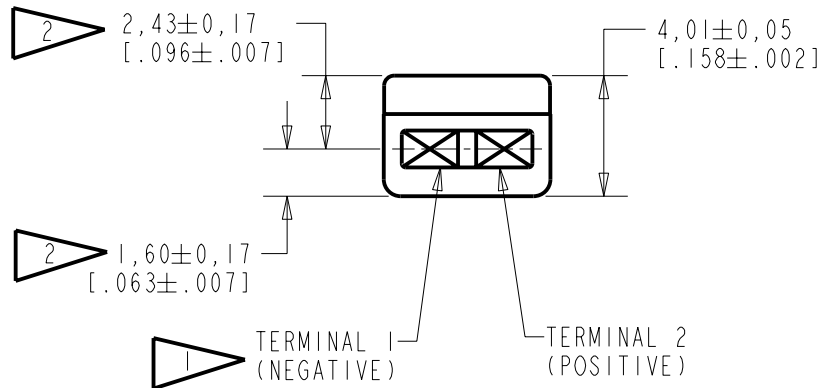
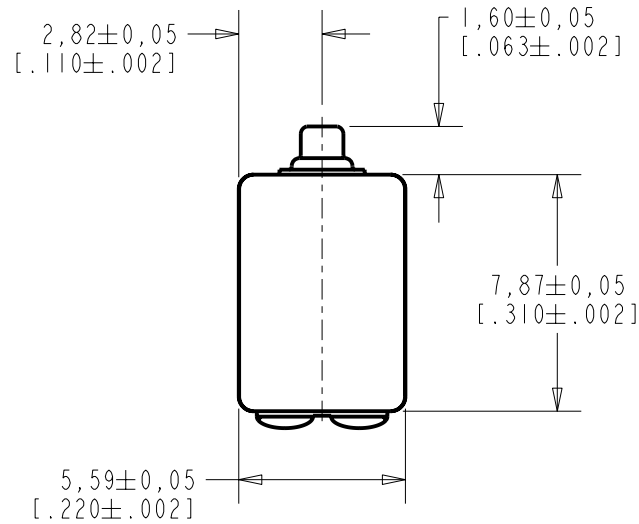
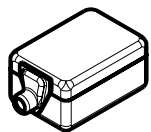


BK-28562-000
SHT 1.1



NOTES:

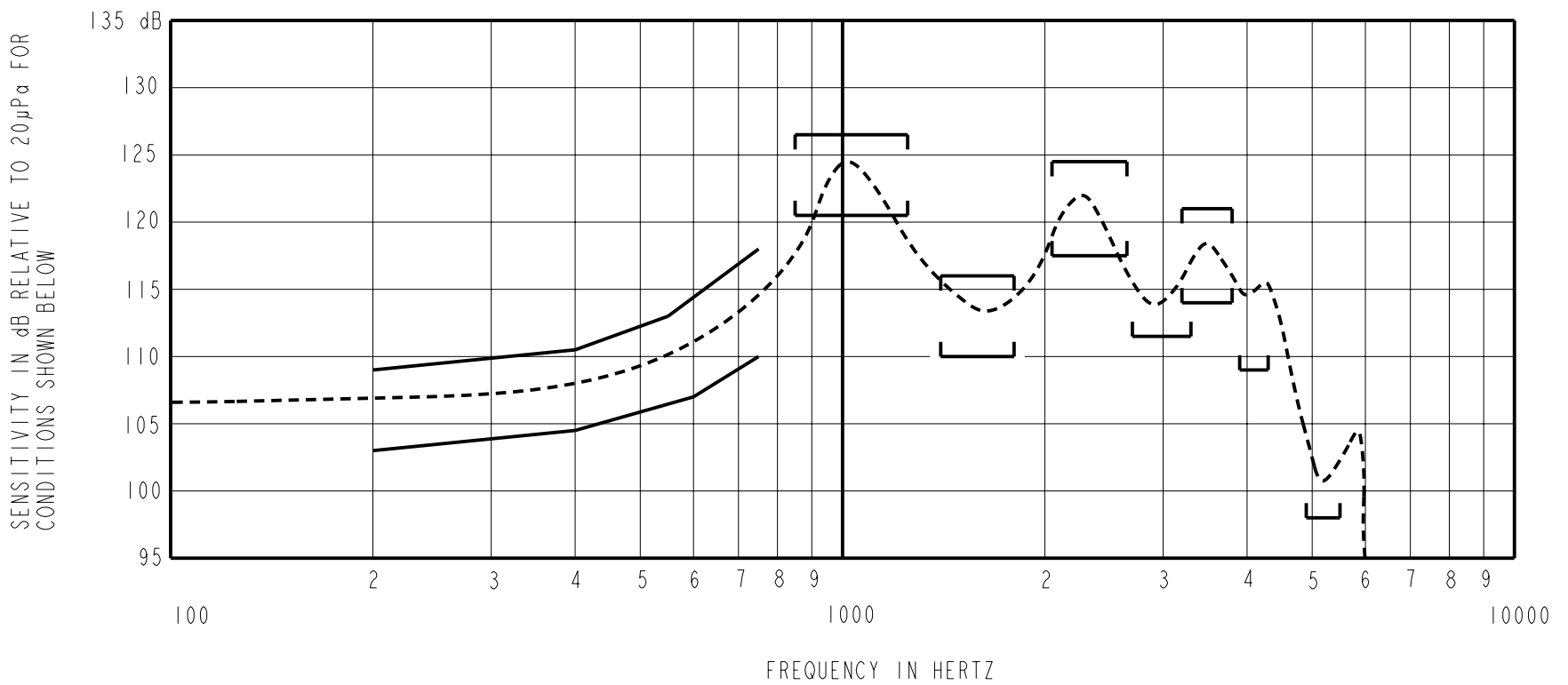
- 1 A POSITIVE GOING VOLTAGE AT TERMINAL 2, RELATIVE TO TERMINAL 1, CAUSES A DECREASE IN PRESSURE AT THE SOUND OUTLET.
- 2 LOCATED FROM TWO SURFACES FOR CUSTOMER COVENIENCE. ONLY APPLICABLE FROM ONE SURFACE, NOT TO BE USED TOGETHER. HORIZONTAL LOCATION FOR TERMINAL CENTERED TO $\pm 0,17$ [.007].



SCALE 2:1
NOMINAL WEIGHT .66 GRAM
DIMENSIONS IN MILLIMETERS [INCHES]

KNOWLES ELECTRONICS
ITASCA, ILLINOIS U.S.A.

Revision	C.O. #	Implementation Date	RELEASE LEVEL	REVISION
A	CI0103461	1-17-06	Released	A
SCALE: 4:1			DR. BY	DATE
DO NOT SCALE DRAWING			CRG	1-17-06
TITLE: RECEIVER			CK. BY	DATE
OUTLINE DRAWING			GJP	1-19-06
BK-28562-000			APP. BY	DATE
SHT 1.1			GJP	1-19-06



NOTES:

1. MEASUREMENTS MADE USING 8mm (.315") X 1mm (.039") ID + 28mm (1.10") X 1.5mm (.059") ID EAR HOOK SIMULATOR INTO 25mm (.984") OF 2mm (.079") ID TUBE + 18mm (.709") OF 3MM (.118") ID TUBE + 2cm³ CAVITY (AS IEC126). (T-2607 AND B & K DB0138).

2. SENSITIVITY

FREQUENCY	MIN.	MAX.
200	103.0	109.0
400	104.5	110.5
550	---	113.0
600	107.0	---
750	110.0	118.0
850-1250	120.5	126.5
1400-1800	110.0	116.0
2050-2650	117.5	124.5
2700-3300	111.5	---
3200-3800	114.0	121.0
3900-4300	109.0	---
4900-5500	98.0	---

- 3. RESPONSE, IMPEDANCE, AND DISTORTION MEASUREMENTS MADE USING THE ELECTRICAL TEST CONDITIONS SHOWN BELOW.
- 4. ELECTRICAL SOURCE IMPEDANCE MUST BE "EQUAL TO NOMINAL" 1KHz IMPEDANCE FOR TEST CONDITIONS SHOWN BELOW.
- 5. INDIVIDUAL SPECIFICATIONS.

PORT LOCATION	IMPEDANCE OHMS ±15%		DCR @20°C OHMS ±10%	DISTORTION		ELECTRICAL TEST CONDITIONS		SOURCE IMPEDANCE OHMS
	1KHz	500Hz		MAX. %	FREQ Hz	OPEN CIRCUIT AC VOLTAGE V RMS	DC mA	
12S	35	23	18.5	10	500	0.35	0.0	30

Revision	C.O. #	Implementation Date	RELEASE LEVEL	REVISION
A	C10103461	1-17-06	Released	A

KNOWLES ELECTRONICS
ITASCA, ILLINOIS U.S.A.

WHEN TEST LIMITS ARE USED TO ESTABLISH INCOMING INSPECTION ACCEPTANCE/REJECTION CRITERIA, CORRELATION OF TEST EQUIPMENT WITH KNOWLES IS ALSO REQUIRED FOR ELIMINATION OF EQUIPMENT AND TEST METHOD VARIATION

TITLE: **RECEIVER**
PERFORMANCE SPECIFICATION

BK-28562-000
SHT 2.1

DR. BY	DATE
CRG	1-17-06
CK. BY	DATE
GJP	1-19-06
APP. BY	DATE
GJP	1-19-06