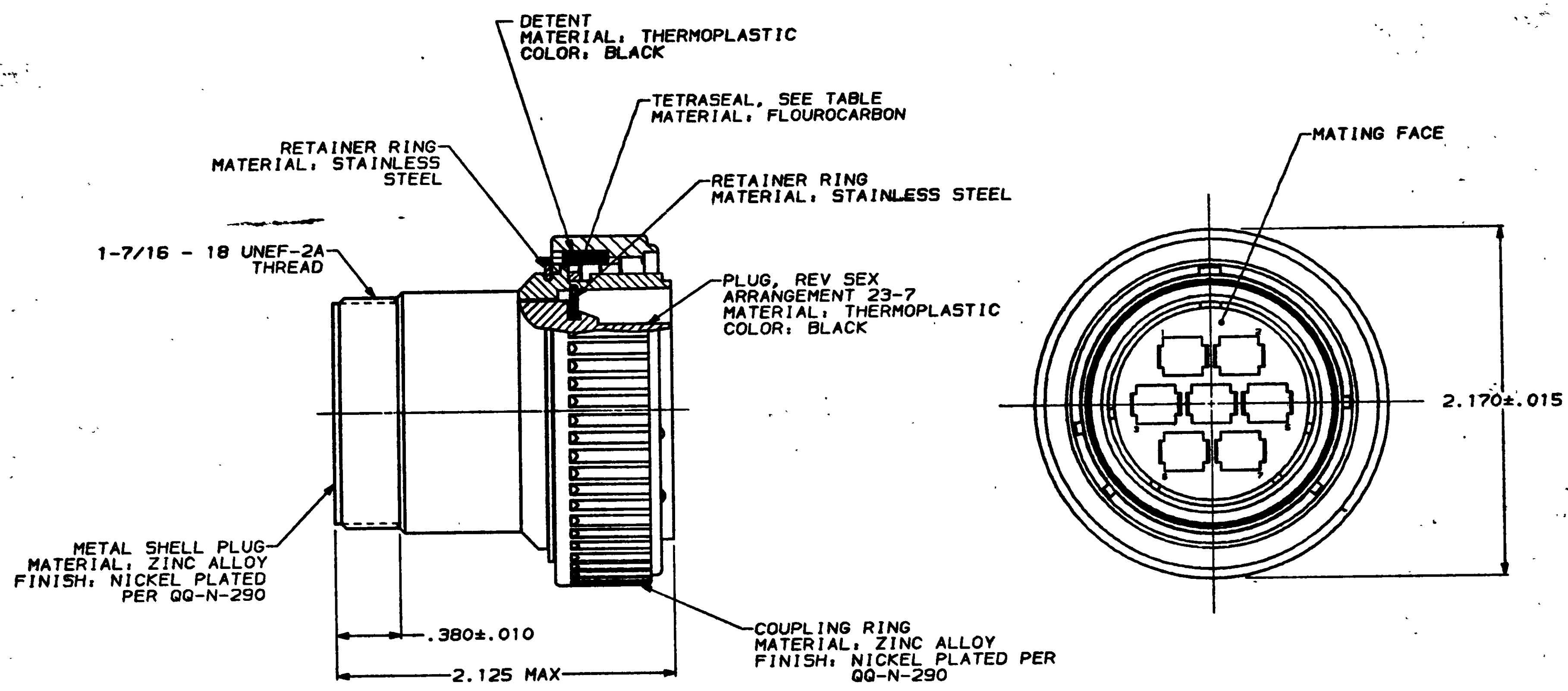


DRAWING MADE IN THIRD ANGLE PROJECTION

THIS DRAWING IS UNPUBLISHED. RELEASED FOR PUBLICATION .18  
 COPYRIGHT © BY AMP INCORPORATED. ALL INTERNATIONAL RIGHTS RESERVED.

NO		LBR		DTSY		REV		REVISIONS		DATE	APPD
23	BD	35	P	P	ZONE	LTR	DESCRIPTION				
						N	REDRAWN		8-27-91		-
						P	REV PER ECN 805454		08/28/92		KB



YES	208484-3
NO	208484-1
TETRASEAL	PART NUMBER

- 208484-1 MATES WITH AMP RECEPTACLE 208485-1 OR -2. 208484-3 MATES WITH AMP RECEPTACLE 208485-1 ONLY.
- AMP PART NUMBER AND DATE CODE TO BE LOCATED ON COUPLING RING.

DO NOT SCALE PRINT. UNLESS SPECIFIED DIMENSIONS IN INCHES TOLERANCES ON: 2 PLC DEC * - 3 PLC DEC * - ANGLES * -	DR 8-27-91 R.LEE BG CHK 4-20-92 W.G.LENKER APPD 4-20-92 K.BEAVER APPD 4-20-92 C.ROHDE	<b>AMP</b> AMP Incorporated Harrisburg, PA 17105-3808	
MATERIAL SEE CALLOUT	PRODUCT SPEC 108-10040	NAME PLUG ASSEMBLY, REV SEX, SERIES 3, 28-7, CMC	
FINISH SEE CALLOUT	APPLICATION SPEC -	SIZE C	CAGE CODE 00779
	WEIGHT -	SCALE 2:1	DRAWING NO 208484
			SHEET 1 OF 1

CUSTOMER DRAWING