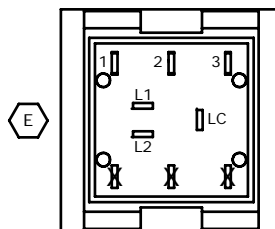
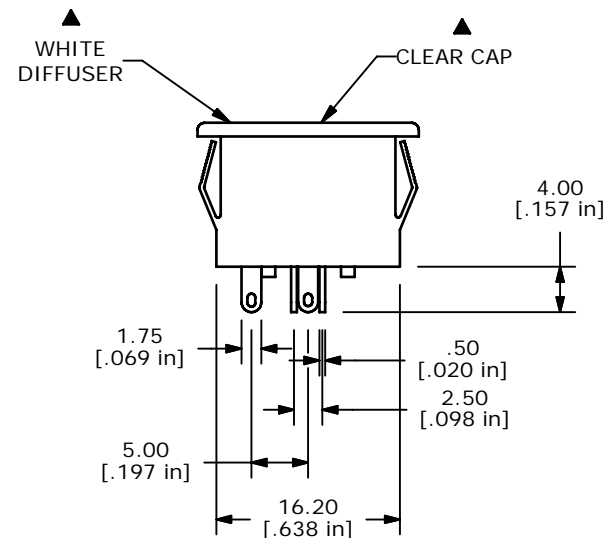
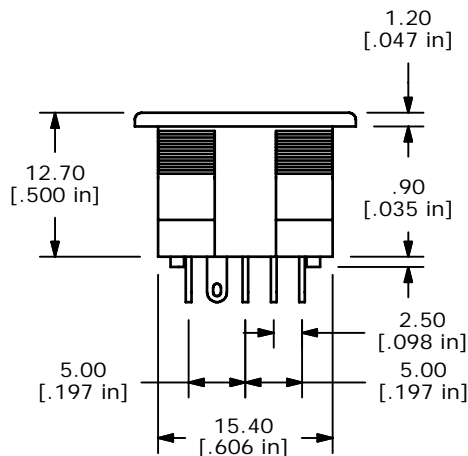


PANEL MOUNTING	
PANEL THICK	W
0.75 - 1.25	17.6 - 17.8
1.25 - 2.0	17.8 - 18.0
2.0 - 3.0	18.0 - 18.2

PANEL MOUNTING



1. ALL DIMENSIONS IN MM
2. GENERAL TOLERANCE: X.X=±0.4  
X.XX=±0.25
3. TERM. NOS. FOR REFERENCE ONLY.
- ▲ 4. CONTACT RATING: 0.4VA MAX. 28V MAX. AC/DC
5. CONTACT MATERIAL: GOLD
6. ELECTRICAL LIFE: 200,000 Typical
7. MECHANICAL LIFE:  
1,000,000 CYCLES TYP.
8. CONTACT RESISTANCE:  
100 MILLI OHM INITIAL TYP. MAX.
9. DIELECTRIC STRENGTH:  
1000 VAC FOR 1 MIN.
10. TRAVEL TO MAKE: 2.20mm ±0.2
11. OPERATING FORCE: 200 +/- 100 gf
12. OPERATING TEMPERATURE: -20° to +70°C
13. 2002/95/EC (ROHS) COMPLIANT
14. ▲ DENOTES CRITICAL PARAMETER
- ▲ 15. LED COLOR: RED: 3 CHIPS; 1.7VDC @20mA TYP.  
BLU: 1 CHIPS; 3.0VDC @20mA TYP.



TITLE ULP12OAM1RPMCL1BLURED

A	20689	New Release	7/31/12	rc
REV	PCR NO	DESCRIPTION	DATE	BY

SCALE	DATE	DR	DWG	REV
1.5 : 1	7/31/2012	rc	B810042	A

THE INFORMATION CONTAINED IN THIS DOCUMENT IS PROPRIETARY TO E-SWITCH AND IS NOT TO BE COPIED OR TRANSFERRED