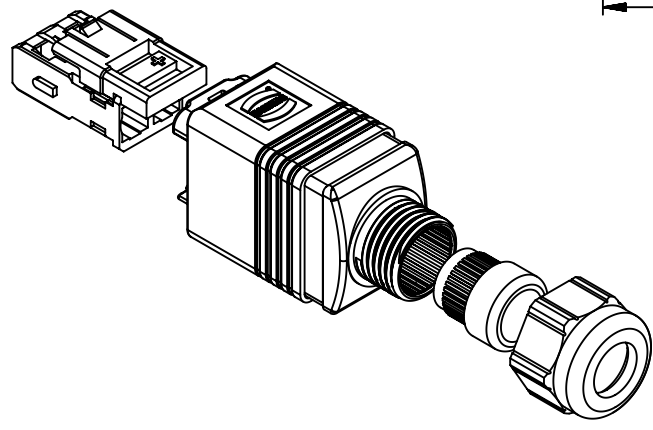
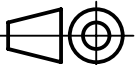



Gesamtlänge montiert ca. 69  
complete length assembled ca. 69



|  |  |            |                       |                             |                                    |  |             |
|--|--|------------|-----------------------|-----------------------------|------------------------------------|--|-------------|
|  All Dimensions in mm<br>Original Size DIN A4 | Scale<br>1:1                                 |            | Free size tol.        |                             | Ref.                               |  |             |
|  |  |            |                       |                             | Sub. 09 35 241 0422 35981 26.04.10 |  |             |
|  All rights reserved<br>Department EC PD - DE | Created by<br>ELLERMANN                      |            | Inspected by<br>DAHMS | Standardisation<br>HOFFMANN | Date<br>2013-06-12                 | State<br>Final Release                                   |             |
|  | Title<br>Han PP V14 SCRJ plug plastic w/o SC |            |                       |                             |                                    | Doc-Key / ECM-Nr.<br>100193119/UGD/002/B<br>500000062379 |             |
| HARTING Electronics GmbH<br>D-32339 Espelkamp  |  | Type<br>TB | Number<br>09352410422 |                             |                                    | Rev.<br>B  | Page<br>1/1 |