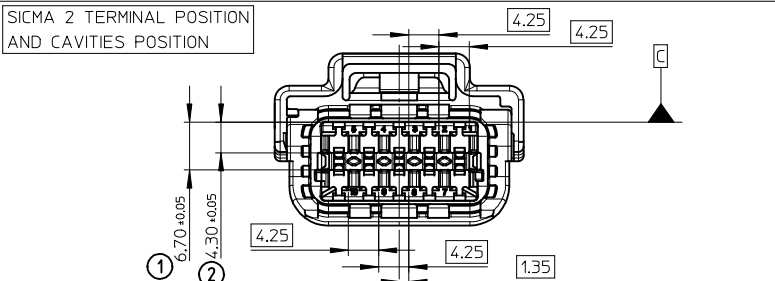
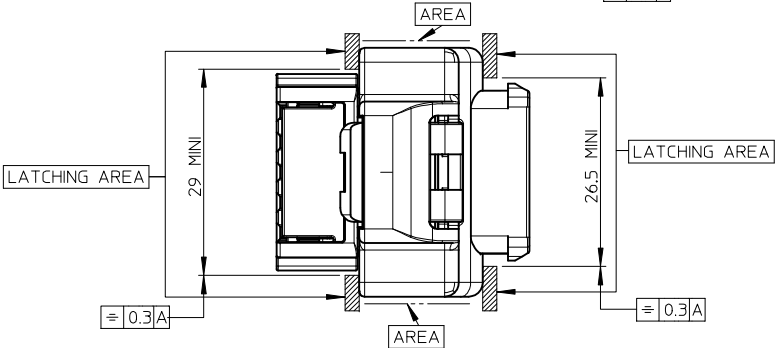
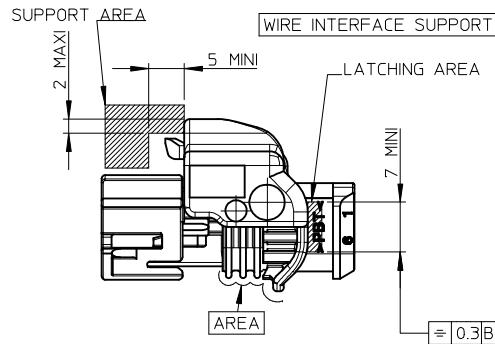


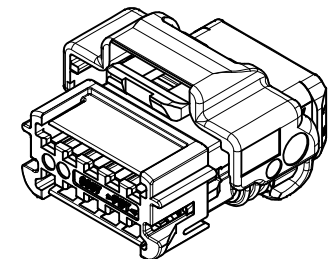
2	GREY	SICMA RCPT CONN SLD W/ 1.5 GRY 10CKT	0987881208
1	BLACK	SICMA RCPT CONN SLD W/ 1.5 BLK 10CKT	0987881201
CODING	COLOR	DESCRIPTION	MATERIAL NUMBER



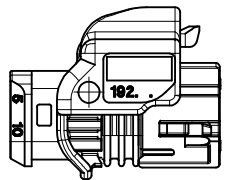
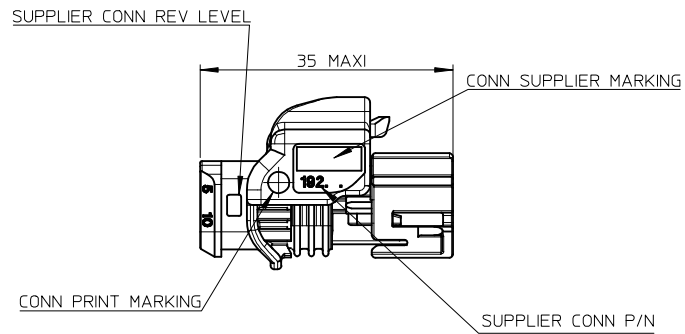
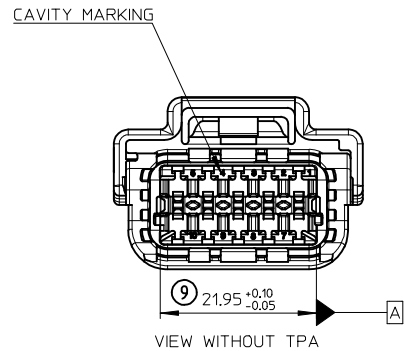
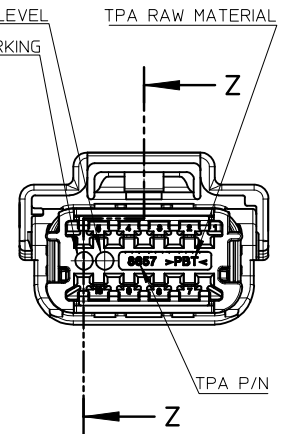
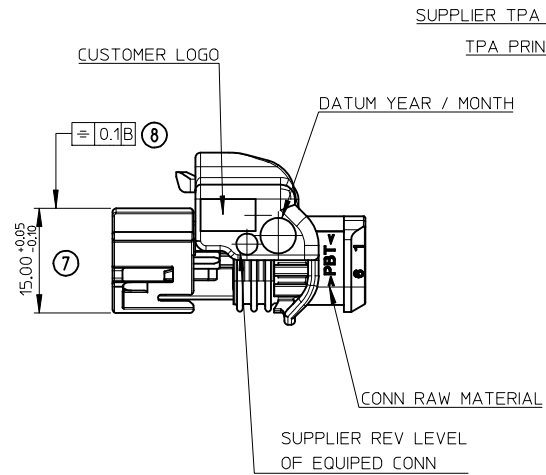
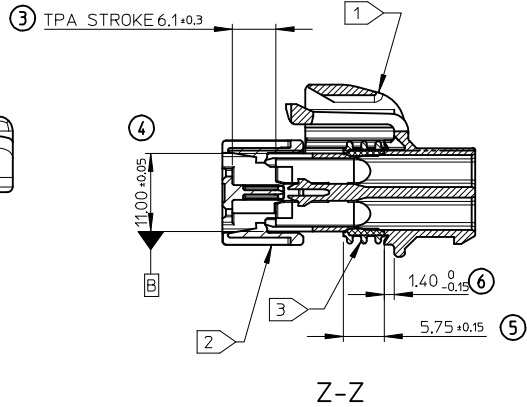
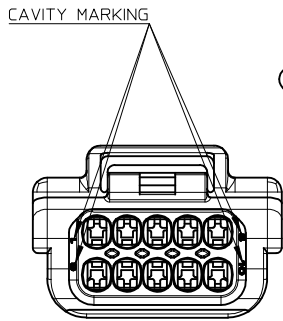
NOTES:

1. MATERIALS: SEE CHART
2. FINISHES: N/A
3. PRODUCT SPECIFICATION: AS-98788-002
4. PACKAGING INFORMATION: PK-98788-002
5. MATES WITH: 0987891201(BLACK), 0987891208(GREY)
6. WIRE EXTERNAL Ø (INSULATION) MUST BE BETWEEN 1.25MM AND 2.4MM.
7. CONNECTOR TIGHTENING STRENGTH ON WIRING INTERFACE: 50 TO 250 WITHOUT PUSH TEST
8. AREAS SHOWN AS: AREA
  - DO NOT LOCK WIRING INTERFACE
  - DO NOT DAMAGE THE PART

ISOMETRIC VIEW



SEE SHEET 2 EC NO: G2016-0151 DRAWN: J. JOUS CHKD: B. DAROUX APPR: P. LESSIS	2016/05/09 2016/05/09 2016/06/06	QUALITY SYMBOLS ▽=0 ▽=0	GENERAL TOLERANCES (UNLESS SPECIFIED)		DIMENSION STYLE MM ONLY		SCALE 2:1	DESIGN UNITS METRIC	FIRST ANGLE PROJECTION
			4 PLACES ± --- ± --- 3 PLACES ± --- ± --- 2 PLACES ± --- ± --- 1 PLACE ± 0.2 ± --- ANGULAR ± 2 °	mm INCH	DRAWN BY VLOUVANCOUR	DATE 2008/01/23	TITLE SICMA RCPT CONN SLD W/ 1.5 10CKT	CHECKED BY YIGEL	DATE 2008/01/24
DRAFT WHERE APPLICABLE MUST REMAIN WITHIN DIMENSIONS			SEE CHART		THIS DRAWING CONTAINS INFORMATION THAT IS PROPRIETARY TO MOLEX INCORPORATED AND SHOULD NOT BE USED WITHOUT WRITTEN PERMISSION		MOLEX INCORPORATED		SHEET NO. 1 OF 2



VIEW WITH TPA LOCKED

Item	Amount	Unit	Description	Material-Number	Packing	Material	Weight Calculated
3	1	Piece	SICMA RCPT CONN SLD 10CKT	0987880206	-	SILICONE RED	0.642g
2	1	Piece	SICMA RCPT CONN TPA ORN 10CKT	0987880213	-	POLYESTER ORANGE	1.548g
1	1	Piece	SICMA RCPT CONN 1.5 GRAY 10CKT	0987880208	-	(PBT), GREY	7.317g
			SICMA RCPT CONN 1.5 BLK 10CKT	0987880201	-	UL94 HB, BLACK	

<b>CHANGE COLOR TPA</b> EC NO: G2016-0151 DRWN: JJOUS 2016/05/09 CHKD: TBADAROUX 2016/05/09 APPR: OPLESSIS 2016/06/06	QUALITY SYMBOLS ▽=0 ▽=0	GENERAL TOLERANCES (UNLESS SPECIFIED) mm INCH 4 PLACES ± --- ± --- 3 PLACES ± --- ± --- 2 PLACES ± --- ± --- 1 PLACE ± 0.2 ± --- ANGULAR ± 2 °	DIMENSION STYLE <b>MM ONLY</b> DRAWN BY DATE VLOUVANCOUR 2008/01/23 CHECKED BY DATE YIGEL 2008/01/24 APPROVED BY DATE LSTICKEIR 2008/01/25 MATERIAL NO.	SCALE <b>2:1</b> DESIGN UNITS <b>METRIC</b> FIRST ANGLE PROJECTION	<b>SICMA RCPT CONN SLD W/ 1.5 10CKT</b>
	DRAFT WHERE APPLICABLE MUST REMAIN WITHIN DIMENSIONS			<b>SEE CHART</b> SIZE A 2	<b>MOLEX INCORPORATED</b> DOCUMENT NO. SD-98788-006
	THIS DRAWING CONTAINS INFORMATION THAT IS PROPRIETARY TO MOLEX INCORPORATED AND SHOULD NOT BE USED WITHOUT WRITTEN PERMISSION			SHEET NO. 2 OF 2	
	A2				