

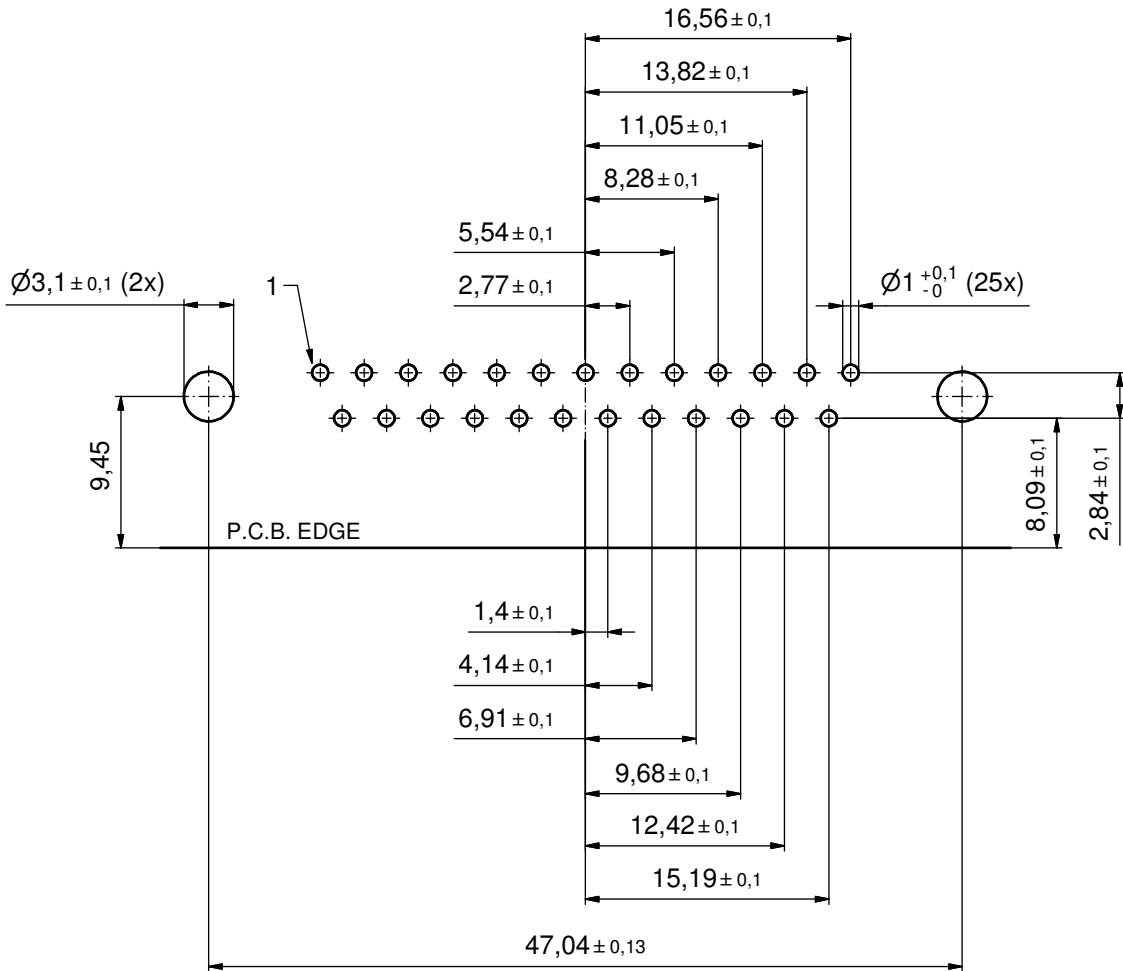
**NOTES:**

1. METAL SHELLS: STEEL; min. 315µm TIN over 40-80µm NICKEL
2. INSULATORS: PBT GF UL 94 V-0; BLACK
3. CONTACTS: COPPER ALLOY; PLATING (SEE PART NO.)
  - PLEASE ADD C for 30µm HARD GOLD over min. 50µm NICKEL
  - PLEASE ADD B for 20µm HARD GOLD over min. 50µm NICKEL
  - PLEASE ADD A for GOLD FLASH over NICKEL (PREFERRED TYPE)
4. METAL BRACKETS: ZINC DIE CAST; 300µm COPPER/40-120µm NICKEL/120-200µm TIN
5. THREADED LOCKS: COPPER ALLOY; min. 200µm TIN over 80µm NICKEL
6. PCB-SNAPS: COPPER ALLOY; min. 200µm TIN over 80µm NICKEL  
PCB-HOLE:  $\varnothing 3,1 \pm 0,1$ ; PCB THICKNESS 1,6mm
7. FIXING-PLATE: PBT GF UL 94 V-0; BLACK
8. PCB HOLE DRILLINGS ON SHEET 2
9. MAXIMUM TORQUE VALUE FOR THREAD: 6 in.LB
10. CONNECTOR IS PART MARKED: **163□18629X CONEC ABC** (see note 3)

Directive 2002/95/EC RoHS compliant

THIS DRAWING MAY NOT BE COPIED OR REPRODUCED IN ANY WAY, AND MAY NOT BE PASSED ON TO A THIRD PARTY WITHOUT WRITTEN PERMISSION. OWNERSHIP AND COPYRIGHT OF CONEC GmbH DO NOT ALTER CAD DRAWING BY HAND	tolerance		dim. in mm		scale: 2:1 (5:1)	
			date	name	material: see notes	
			drawn	23.01.13	Henneboel	title: D-SUB MALE 90° 25pos. SOLDER PIN ANGLED 0.318inch with threaded lock, metal bracket, snap, fixing-plate
			appd.	28.01.13	Fischer	
			norm			
		d-old	16K1A1010/16K2A1010		dwg no:	
3 x b	A4620	23.01.2013	KH.		DIN-A3	
a	Original				sh: 1/2	
rev.	description	date	name	part no: <b>163□18629X</b> (see note 3)		

P.C.B. HOLE DRILLINGS  
(P.C.B. TOP SIDE)



THIS DRAWING MAY NOT BE COPIED OR REPRODUCED IN ANY WAY, AND MAY NOT BE PASSED ON TO A THIRD PARTY WITHOUT WRITTEN PERMISSION. OWNERSHIP AND COPYRIGHT OF CONEC GmbH  DO NOT ALTER CAD DRAWING BY HAND				tolerance	dim. in mm	scale:	3:1	
				date		name	material:	see sheet 1
				drawn	23.01.13	Henneboel	title: <b>P.C.B. HOLE DRILLINGS</b> D-SUB MALE 90° 25pos. solder pin angled with threaded lock, metal bracket, snap, fixing-plate	
				appd.	28.01.13	Fischer		
				norm				
				d-old			dwg no:	DIN-A3
	a	Original					16K1A3181	sh: 2/2
rev.	description	date	name				part no:	see sheet 1