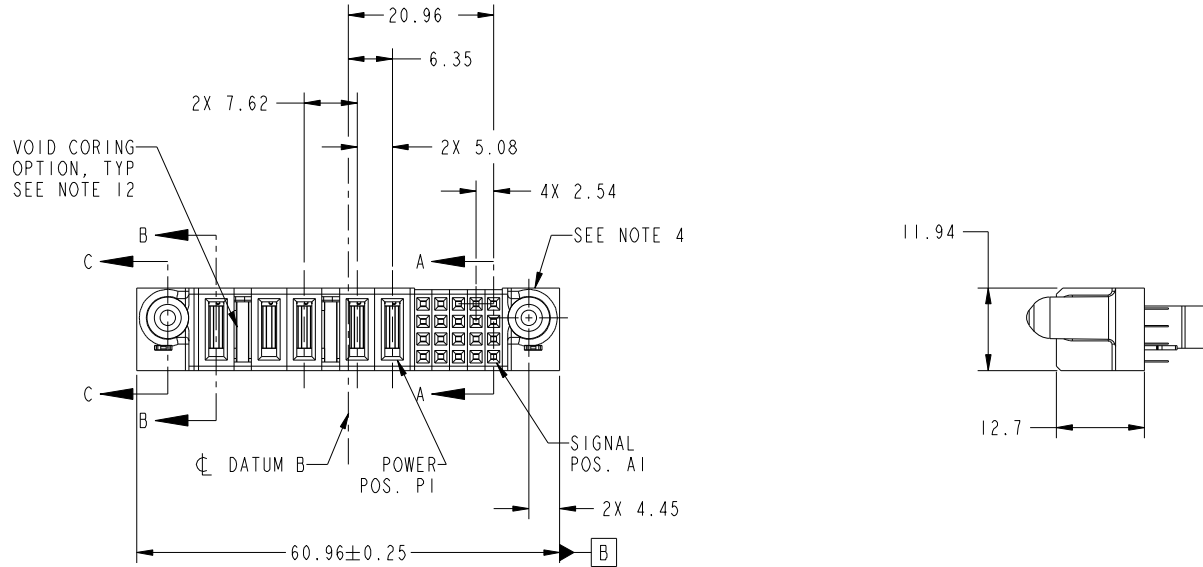


Tous droits strictement reserves. Reproduction ou communication a des tiers interdite sous quelque forme que ce soit sans autorisation écrite du propriétaire. Propriete de c FCI. Droits de reproduction FCI.



All rights strictly reserved. Reproduction or issue to third parties in any form whatever is not permitted without written authority from the proprietor. Property of FCI. Copyright FCI.

PRODUCT NO.	ROWS	POWER					SIGNAL						
		E2	P5	P4	P3	P2	P1	5	4	3	2	1	E1
51940-296-- NOTE: 3	D C B A												



CODE	DIM "M" MATING LENGTH	CONTACT TYPE
E	[N/A]	SIGNAL
PG	[1.07]	POWER
HA	[N/A]	HOLD-DOWN

mat'l code				SEE NOTES		tolerances unless otherwise specified		CUSTOMER		FCI www.fciconnect.com	
ltr	ecn no.	dr	date	linear	0.X ±0.5	projection		COPY		title	
A	DG09-0194	JW	05/27/09	angles	0.XX ±0.25			MIM		20S + 4P + IACP VERTICAL SOLDER RECEPT	
				dr	0.XXX ±0.1	scale		product family		code	
				enr	0° ±2°	1:1		PwrBlade		213	
				chr	JULIA WANG 05/08/09			size		sheet	
				appd	JEROME CHEN 05/08/09			dwg no		1 of 4	
					PM ZHENG 05/08/09			51940-296			
					JOSEPH HSIA 05/08/09			A			
sheet index	revision sheet	A	A	A	A						
		1	2	3	4						
								cage code		22526	

1 | 2

Pro/E

3 |

cage code 22526

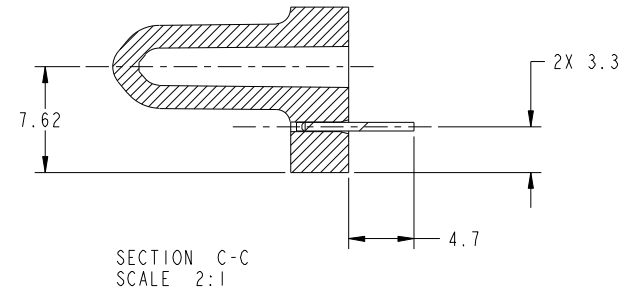
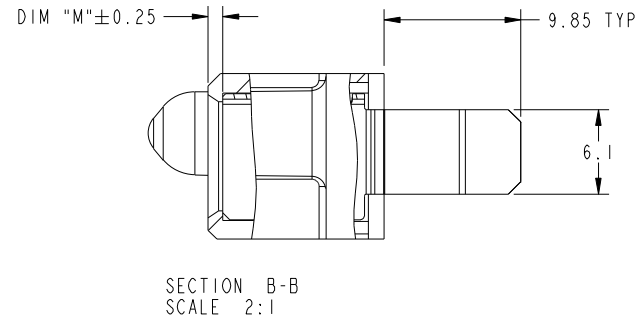
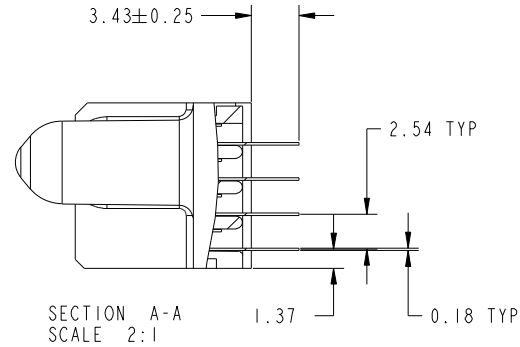
4

Tous droits strictement reserves. Reproduction ou communication a des tiers interdite sous quelque forme que ce soit sans autorisation écrite du propriétaire. Propriete de c FCI. Droits de reproduction FCI.



All rights strictly reserved. Reproduction or issue to third parties in any form whatever is not permitted without written authority from the proprietor. Property of FCI. Copyright FCI.

PRODUCT NUMBER  
51940-296--  
NOTE: 3



mat'l code				tolerances unless otherwise specified		CUSTOMER		www.fciconnect.com	
ltr	ecn no.	dr	date	linear	0.X ± 0.5	COPY		title	
A					0.XX ± 0.25	projection		20S + 4P + IACP VERTICAL SOLDER RECEPT	
				angles	0.XXX ± 0.1			product family PwrBlade code	
		dr	JULIA WANG	05/08/09	0° ± 2°	MIM		size	
		enrg	JEROME CHEN	05/08/09				dwg no	
		chr	PM ZHENG	05/08/09		scale		213	
		appd	JOSEPH HSIA	05/08/09		1:1		sheet	
sheet index		revision sheet						2 of 4	

Pro/E

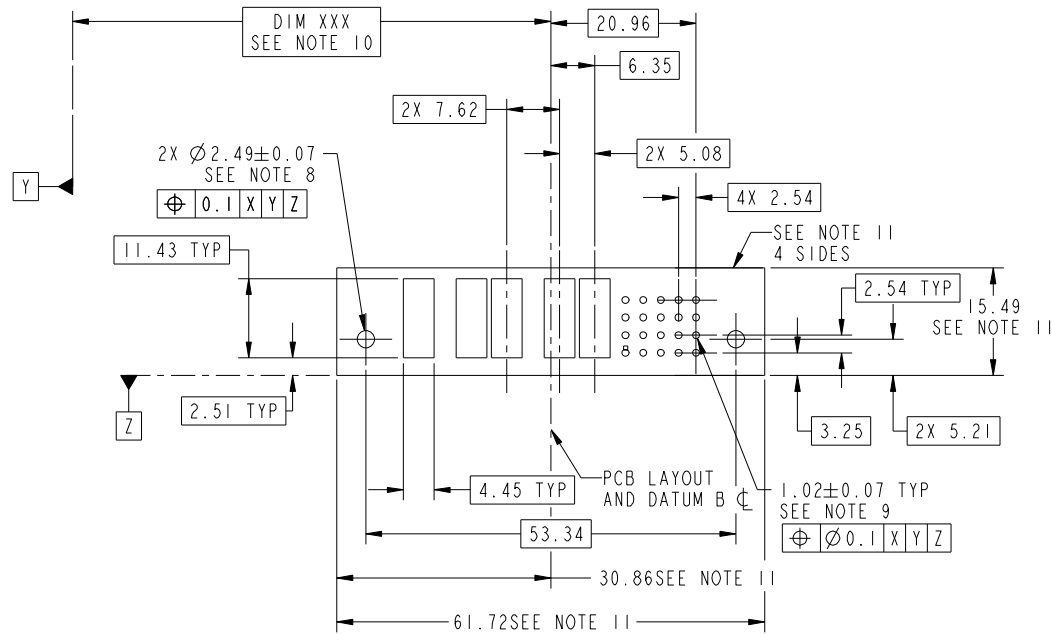
cage code 22526

Tous droits strictement reserves. Reproduction ou communication a des tiers interdite sous quelque forme que ce soit sans autorisation écrite du propriétaire. Propriete de c FCI. Droits de reproduction FCI.



All rights strictly reserved. Reproduction or issue to third parties in any form whatever is not permitted without written authority from the proprietor. Property of FCI. Copyright FCI.

PRODUCT NUMBER  
51940-296--  
NOTE: 3



mat'l code				tolerances unless otherwise specified		CUSTOMER		FCI	
ltr	ecn no.	dr	date	linear	0.X ± 0.5	COPY		www.fciconnect.com	
A					0.XX ± 0.25	projection		title	
				angles	0.XXX ± 0.1			20S + 4P + IACP VERTICAL SOLDER RECEPT	
				dr	0° + 2°	MIM		product family PwrBlade code	
				enr	JULIA WANG 05/08/09			size	
				chr	JEROME CHEN 05/08/09	scale		dwg no	
				appd	PM ZHENG 05/08/09	1:1		51940-296	
					JOSEPH HSIA 05/08/09			sheet	
sheet index	revision sheet							3 of 4	

cage code 22526

Pro/E

Tous droits strictement reserves. Reproduction ou communication a des tiers interdite sous quelque forme que ce soit sans autorisation écrite du propriétaire. Propriete de c FCI. Droits de reproduction FCI.



All rights strictly reserved. Reproduction or issue to third parties in any form whatever is not permitted without written authority from the proprietor. Property of FCI. Copyright FCI.

PRODUCT NUMBER  
51940-296--  
NOTE: 3

NOTES:

1. DIMENSIONS AND TOLERANCES ARE IN ACCORDANCE WITH ASME Y14.5M, 1994 UNLESS OTHERWISE SPECIFIED.

CONNECTOR NOTES:

- 2 HOUSING MATERIAL: UL 94 V-0 GLASS FILLED HIGH-TEMP THERMOPLASTIC  
POWER CONTACT MATERIAL: COPPER ALLOY  
SIGNAL PIN MATERIAL: COPPER ALLOY
  - 3. PLATING SPEC.  
SEE ITEM 1 & 2 IN PRINT 10064183 FOR PLATING SPEC. OF 51940-296, 51940-296LF RESPECTIVELY.
  - 4 MANUFACTURER'S NAME, P/N, AND DATE CODE TO APPEAR ON THIS SURFACE.
  - 5. PRODUCT SPECIFICATION GS-12-149.  
APPLICATION SPECIFICATION BUS-20-067.
  - 6. PACKAGED IN TRAYS.
- PCB NOTES:
- 7. ALL HOLE DIAMETERS ARE FINISHED HOLE SIZE.
  - 8 MOUNTING HOLES, WHERE APPLICABLE, ARE UNPLATED.
  - 9  $\varnothing 1.151 \pm 0.025$  DRILLED HOLES PLATED WITH  
0.008 MIN SnPb OR Sn OVER 0.03  
TO 0.08 Cu PLATING TO ACHIEVE  
 $\varnothing 1.02 \pm 0.07$  HOLE.
  - 10 "DIM XXX" TO BE DETERMINED BY THE CUSTOMER.
  - 11 CONNECTOR KEEP-OUT ZONE.
  - 12. THE VOID CORING IN BETWEEN POWER MODULES, SIGNAL MODULES AND END MODULES ARE OPTIONAL AND THE SHAPE MAY BE DIFFERENT FOR OPTIMIZE THE MOLDING PROCESS. THE VOID CORING WILL NOT EFFECT TO PRODUCT FUNCTION.

mat'l code				tolerances unless otherwise specified		CUSTOMER		FCI	
ltr	ecr no.	dr	date	linear	0.X ± 0.5	COPY		www.fciconnect.com	
A				linear	0.XX ± 0.25	projection		title	
				angles	0.XXX ± 0.1			20S + 4P + IACP VERTICAL SOLDER RECEPT	
				dr	0° ± 2°	MIM		product family PwrBlade code	
				enr	JULIA WANG 05/08/09	← MIM →		size 213	
				chr	JEROME CHEN 05/08/09	scale		dwg no 4 of 4	
				appd	PM ZHENG 05/08/09	1:1		sheet	
					JOSEPH HSIA 05/08/09	A		4 of 4	
sheet index	revision sheet								

cage code 22526

Pro/E