

Customer Information Sheet

DRAWING No.: M80-819XXXX

SHEET 2 OF 2

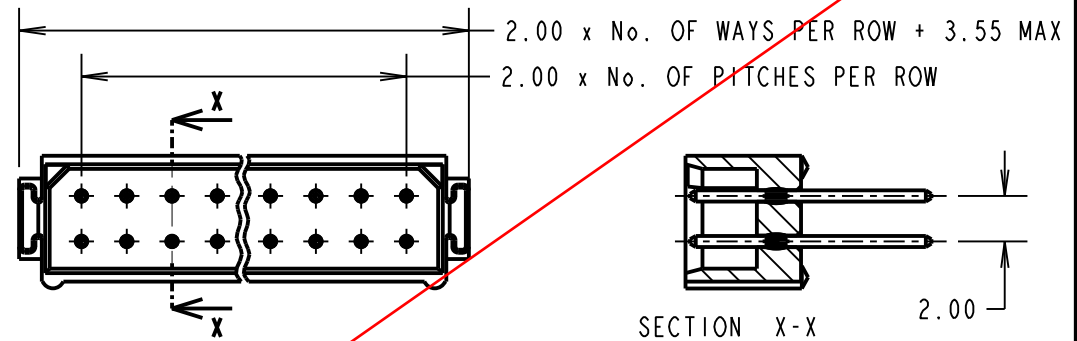
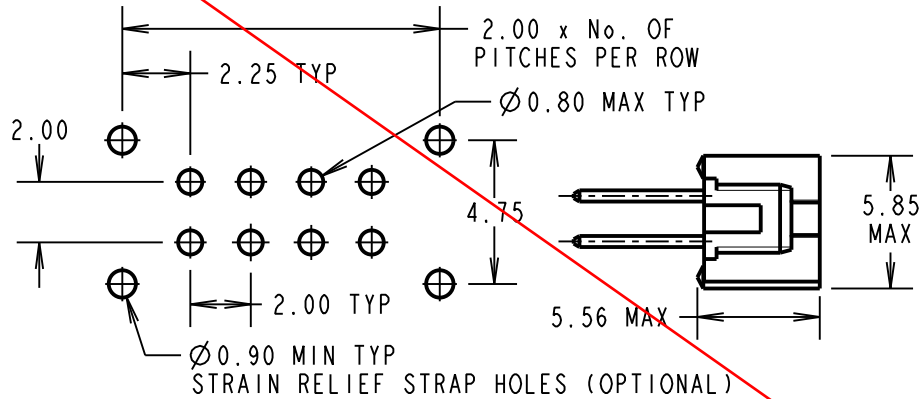
IF IN DOUBT - ASK

©

NOT TO SCALE

THIRD ANGLE PROJECTION

ALL DIMENSIONS IN mm



RECOMMENDED PCB LAYOUT

NOTES.

- 2-OFF STRAIN RELIEF STRAP M80-0030006 MAY BE USED WITH THIS CONNECTOR

OBSOLETE

SPECIFICATION:

MATERIAL:
 Moulding = GLASS-FILLED POLYESTER UL94V-0
 CONTACT = PHOSPHOR BRONZE
 FINISH:
 CONTACTS:
 05 = 0.75µ GOLD
 22 = 0.75µ GOLD ON CONTACT AREA, 3.0µ 90/10 TIN/LEAD ON TAILS

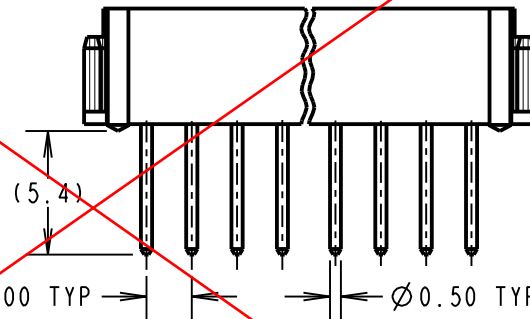
ENVIRONMENTAL:
 TEMPERATURE RANGE = -55°C TO +125°C

MECHANICAL:
 DURABILITY = 500 OPERATIONS
 PACKING:
 TUBE

FOR COMPLETE SPECIFICATION, SEE COMPONENT SPECIFICATION C005XX (LATEST ISSUE)

ELECTRICAL:

CURRENT RATING AT 25°C = 3.0A MAX
 CURRENT RATING AT 85°C = 2.2A MAX
 WORKING VOLTAGE = 120V AC/DC
 VOLTAGE PROOF = 360V AC/DC
 CONTACT RESISTANCE (INITIAL) = 20 MILLIOHMS MAX
 CONTACT RESISTANCE (AFTER CONDITIONING) = 25 MILLIOHMS MAX
 INSULATION RESISTANCE (INITIAL) = 1000 MEGOHMS MIN
 INSULATION RESISTANCE (AFTER CONDITIONING) = 100 MEGOHMS MIN



BRITISH STANDARD ORDER CODE: TO B39525 F0033

B5743-2XX-M-T-U

TOTAL No. OF WAYS _____
 04, 06, 08, 10, 12, 14,
 16, 18, 20, 26, 34, 44

FINISH: _____
 0 - SELECTIVE GOLD

ORDER CODE:

M80-819XXXX

TOTAL No. OF WAYS _____
 04, 06, 08, 10, 12, 14,
 16, 18, 20, 26, 34, 44

FINISH _____
 05 - GOLD
 22 - SELECTIVE GOLD

SM	3	07.06.11	10832
NAME	ISS.	DATE	C/NOTE
APPROVED: S. MCCULLAGH			
CHECKED: M. G. PLESTED			
DRAWN: W. J. BOURNE			
CUSTOMER REF.:			
ASSEMBLY DRG:			

HARWIN

HARWIN USA
 TEL: 603 893 5376
 FAX: 603 893 5396
 mis@harwin.com

HARWIN Europe (UK)
 TEL: 023 9231 4545
 FAX: 023 9231 4590
 mis@harwin.co.uk

HARWIN Asia
 TEL: +65 6 779 4909
 FAX: +65 6 779 3868
 mis@harwin.com.sg

THIS DRAWING AND ANY INFORMATION OR DESCRIPTIVE MATTER SET OUT HEREON ARE CONFIDENTIAL AND COPYRIGHT PROPERTY OF THE HARWIN GROUP AND MUST NOT BE DISCLOSED, LOANED, COPIED OR USED FOR MANUFACTURING, TENDERING OR FOR ANY OTHER PURPOSE WITHOUT THEIR WRITTEN PERMISSION.

TOLERANCES
 X. = ±1mm
 X.X = ±0.25mm
 X.XX = ±0.10mm
 X.XXX = ±0.01mm
 ANGLES = ±5°
 UNLESS STATED

MATERIAL:
 SEE ABOVE
 FINISH: SEE ABOVE
 S/AREA: mm²

TITLE: DATAMATE 2mm PITCH VERTICAL PC TAIL DIL PLUG ASSEMBLY - UNLATCHED
 DRAWING NUMBER: **M80-819XXXX**
 SHT 2 OF 2