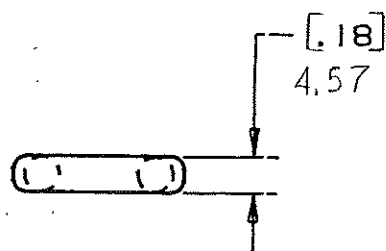
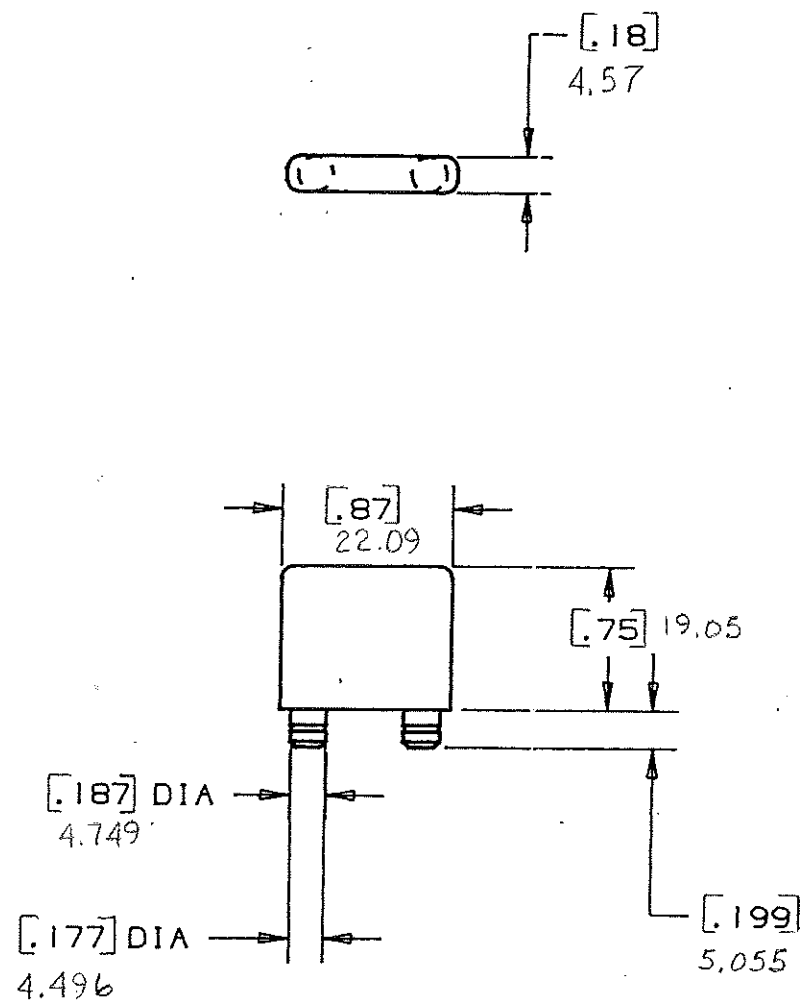


DRAWING NO.

NOTE: ALL DIMENSIONS ARE IN MILLIMETERS,  
ENGLISH DIMENSIONS IN [ ].



CERTIFICATION OF  
COUNTRY OF ORIGIN  
REQUIRED

COPIES TO	18	MAT'L SPEC.	Nylon Check Barrel			
	19		FINISH	SCALE		
9	20	DR.	GES. 08.7.94	CHK.	GES.	SUPER. DR.
10	21	APPD.	A. H. H. H.	DATE	10-11-94	RAW STK. WT.
11	22	TOLERANCE UNLESS OTHERWISE SPECIFIED				
12	23	TWO PLACE DEC. ± .50mm [0.02] FRACTION ±				
13	24	THREE PLACE DEC. ± .25mm [0.01] ANGULAR ±				
14	25	LBS./M				
15	26	TITLE				
16	27	ISOLATION BARRIER				
17	28	Littelfuse				
18	29	800 E. NORTHWEST HIGHWAY				
19	30	DES PLAINES, ILLINOIS 60016				
20	31	DRWG. NO. D-03540511Z				

LTR	REVISION	CHK.	APD.
A	06534 - RELEASED OCTOBER 10, 94 Ges.	GES	AB
B	36988C - ADD METRIC DIM'S 7-19-95 RFR	GES	GES
C	37055D - CHG TITLE 8-19-95 JCU	TRB	GES
D	000807ER - RE-INSTATE 10/09/09 J.U.		

THIS DRAWING IS THE PROPERTY OF LITTELFUSE INC. IT IS TO BE USED ONLY FOR THE PURPOSES SPECIFIED HEREON.