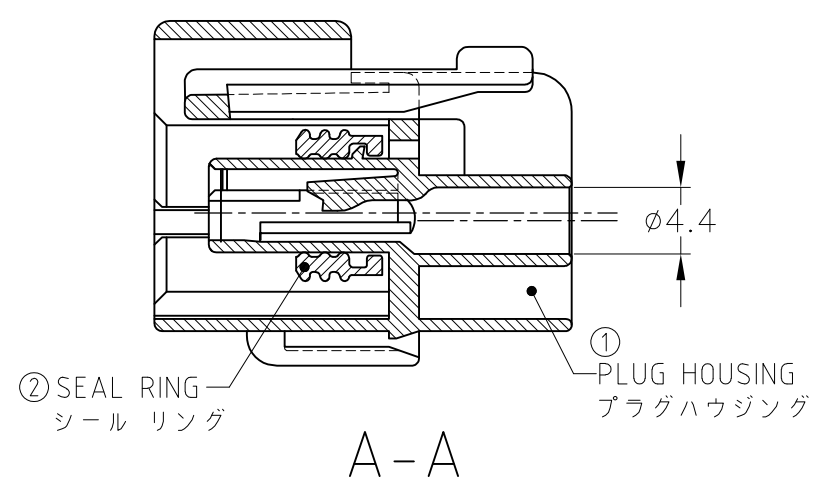
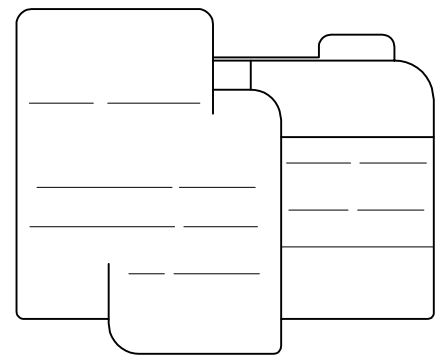
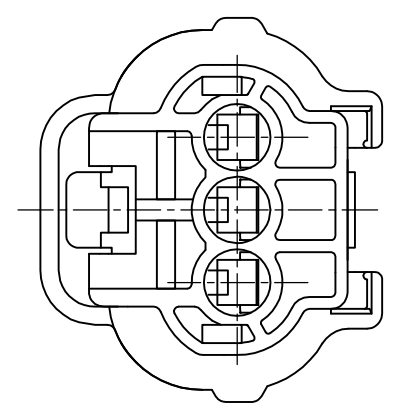
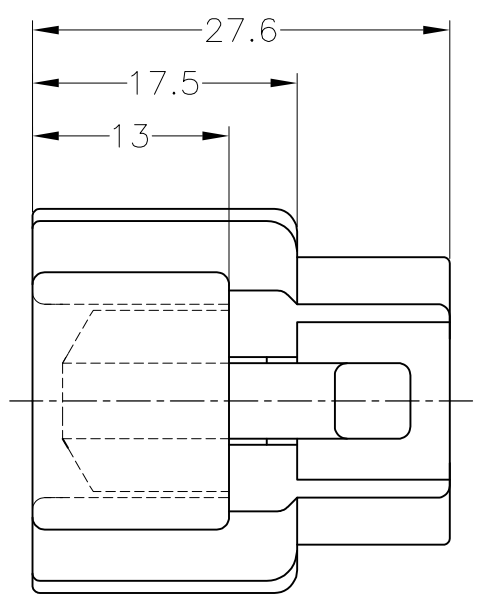
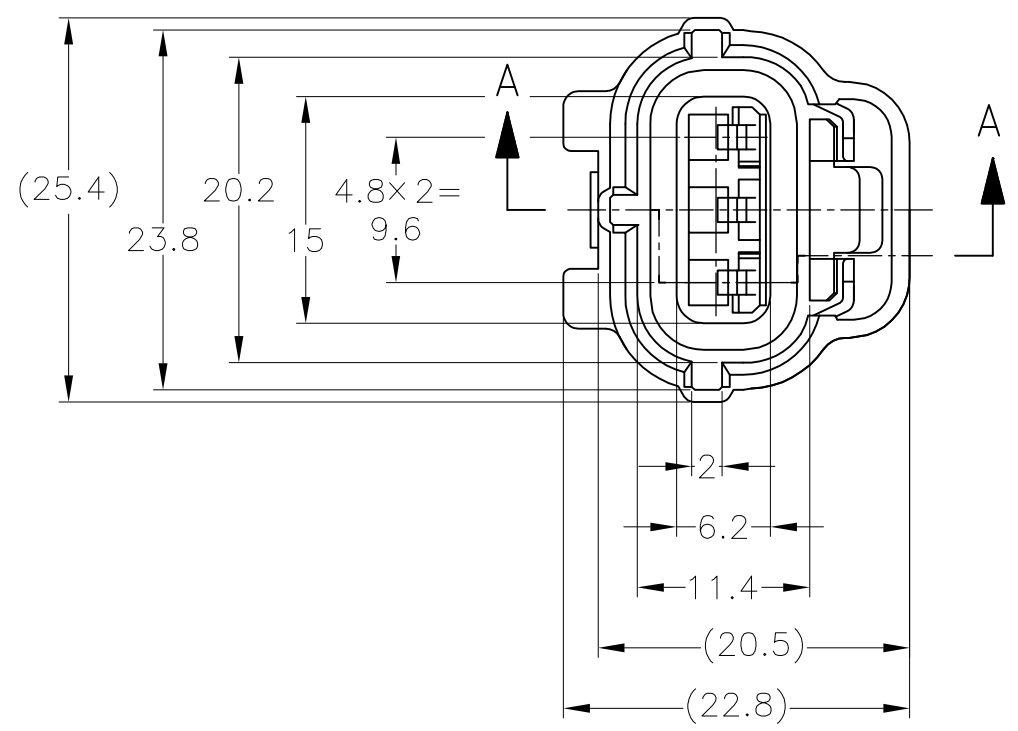


THIS DRAWING IS UNPUBLISHED. RELEASED FOR PUBLICATION JUN,2014 ,10 .  
 © COPYRIGHT 2014 By Tyco Electronics Japan G.K. ALL RIGHTS RESERVED.

LOC	DIST	REVISIONS 変更					
J	—	P	LTR	DESCRIPTION	DATE	DWN	APVD
		A		RELEASED	06AUG14	DM	TK

TOLERANCE UNLESS OTHERWISE SPECIFIED:  
 一般公差  
 0 < x ≤ 10 : ±0.2  
 10 < x ≤ 30 : ±0.25  
 30 < x ≤ 100 : ±0.3  
 ANGLE : ±3°  
 角度



- 1. 嵌合相手型番：174359, 173065
- 2. 本品はプラグハウジング単体にシールリングがアセンブリされたものである。
- 3. 本品はダブルロックプレート型番 174358を装着して使用する。
- ④ シールリングはフタル酸フリー品である。

- 1. FOR CAP HOUSING PN 174359, 173065
- 2. THIS PART IS COMPOSED OF PLUG HOUSING AND SEAL RING
- 3. THIS PART MUST BE USED WITH DOUBLE LOCK PLATE PN 174358
- ④ SEAL RING IS NON-BIS TYPE

NBR④/BLACK	PBT/BLACK	2822350-1
② SEAL RING	① PLUG HOUSING	PART NUMBER
MATERIAL / COLOR		

THIS DRAWING IS A CONTROLLED DOCUMENT.		DWN D.MATSUURA 06AUG2014	TE Connectivity		
DIMENSIONS: 単位：mm mm		CHK S.IWATANI 06AUG2014			
TOLERANCES UNLESS OTHERWISE SPECIFIED: 一般公差		APVD T.KOHNO 06AUG2014	NAME 名称 3Pos. ECONOSEAL J-MARKII+ CONNECTOR PLUG HOUSING VERSION II		
0 PLC ±- 1 PLC ±- 2 PLC ±- 3 PLC ±- 4 PLC ±- ANGLES ±-		PRODUCT SPEC 製品規格 108-5262	RESTRICTED TO —		
MATERIAL 材料 SEE TABLE		APPLICATION SPEC 取付適用規格 114-5082	SIZE A3	CAGE CODE 00779	DRAWING NO 番号 C-2822350
FINISH 仕上 —		WEIGHT 6.0g	SCALE 尺度 2:1		SHEET 1 OF 2
CUSTOMER DRAWING			REV A		

THIS DRAWING IS UNPUBLISHED.

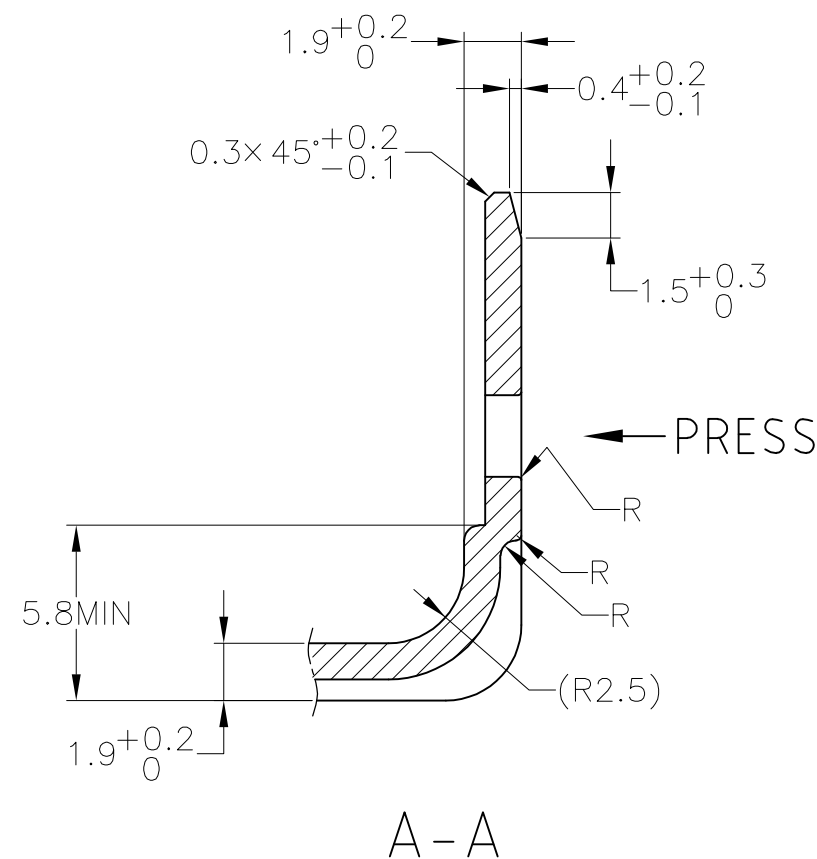
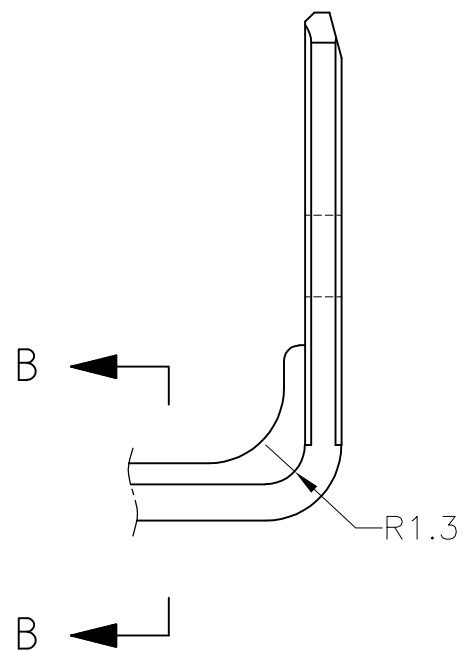
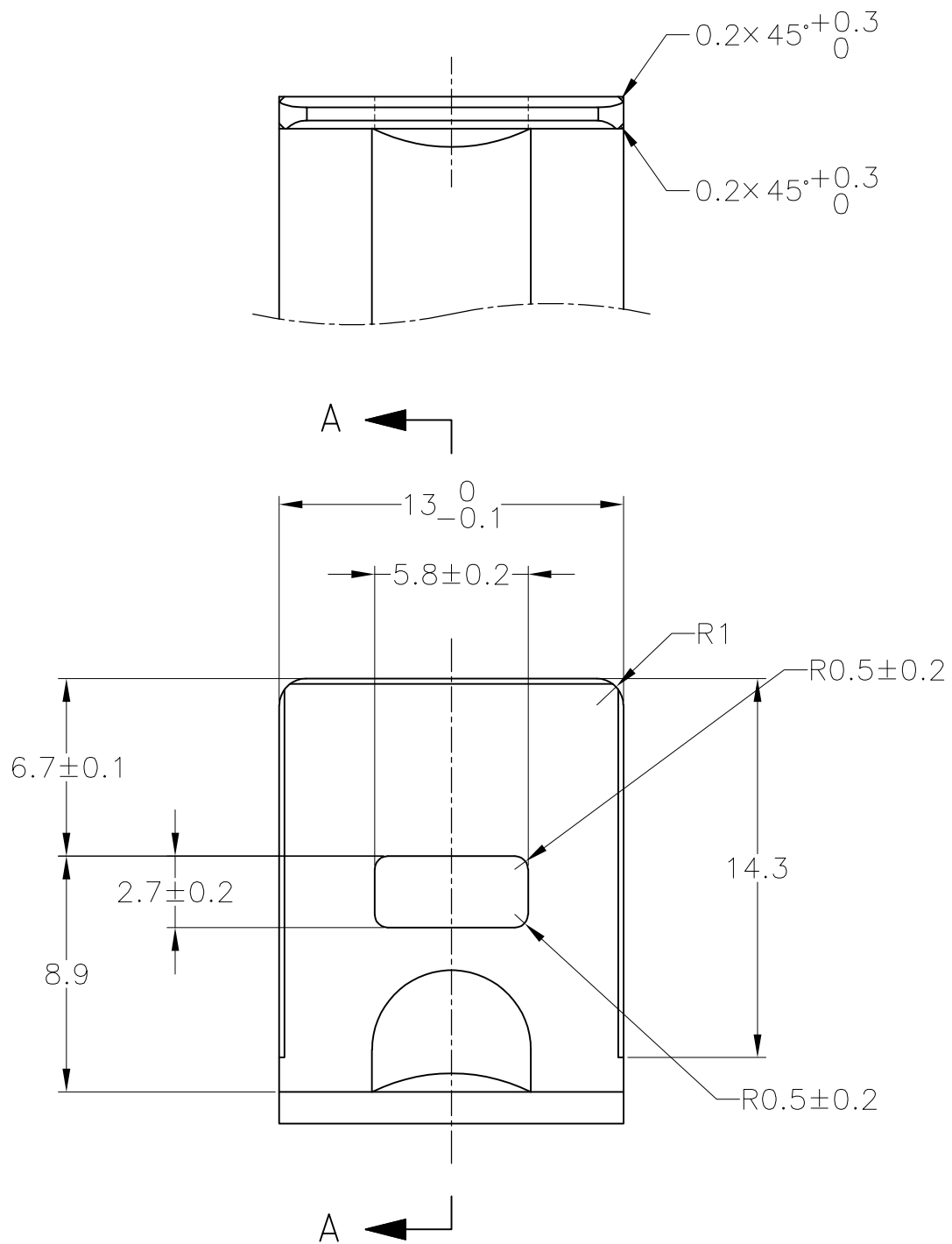
RELEASED FOR PUBLICATION JUN,2014 ,10 .

© COPYRIGHT 2014 By Tyco Electronics Japan G.K.

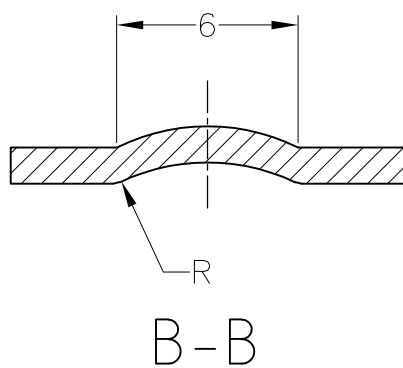
ALL RIGHTS RESERVED.

LOC	DIST	REVISIONS					
J	—	P	LTR	DESCRIPTION	DATE	DWN	APVD
		—		SEE SHEET 1	—	—	—

ブラケット推奨寸法図  
RECOMMENDED DIMENSION OF BRACKET




t = 1.2 ± 0.08



TOLERANCE UNLESS OTHERWISE SPECIFIED: 一般公差

0 < x ≤ 10	: ±0.2
10 < x ≤ 30	: ±0.25
30 < x ≤ 100	: ±0.3
ANGLE ; 角度	: ±3°

THIS DRAWING IS A CONTROLLED DOCUMENT.		DWN D.MATSUURA 06AUG2014	 TE Connectivity													
DIMENSIONS: 単位: 耗 mm		CHK S.IWATANI 06AUG2014														
TOLERANCES UNLESS OTHERWISE SPECIFIED: 一般公差		APVD T.KOHNO 06AUG2014	NAME 名称 3Pos. ECONOSEAL J-MARKII+ CONNECTOR PLUG HOUSING VERSION II													
<table border="1"> <tr> <td>0 PLC</td> <td>± -</td> </tr> <tr> <td>1 PLC</td> <td>± -</td> </tr> <tr> <td>2 PLC</td> <td>± -</td> </tr> <tr> <td>3 PLC</td> <td>± -</td> </tr> <tr> <td>4 PLC</td> <td>± -</td> </tr> <tr> <td>ANGLES</td> <td>± -</td> </tr> </table>		0 PLC	± -	1 PLC	± -	2 PLC	± -	3 PLC	± -	4 PLC	± -	ANGLES	± -	PRODUCT SPEC 製品規格	SIZE A3	
0 PLC	± -															
1 PLC	± -															
2 PLC	± -															
3 PLC	± -															
4 PLC	± -															
ANGLES	± -															
MATERIAL 材料		APPLICATION SPEC 取付適用規格	CAGE CODE 00779	DRAWING NO 番号 C-2822350												
FINISH 仕上		WEIGHT	RESTRICTED TO —													
CUSTOMER DRAWING			SCALE 尺度 4:1	SHEET 2 OF 2												
			REV A													