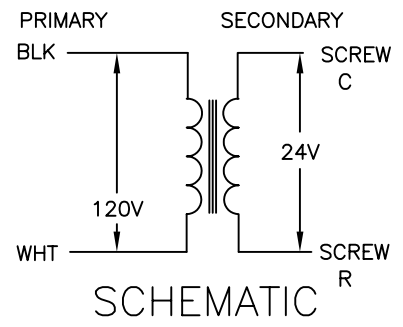
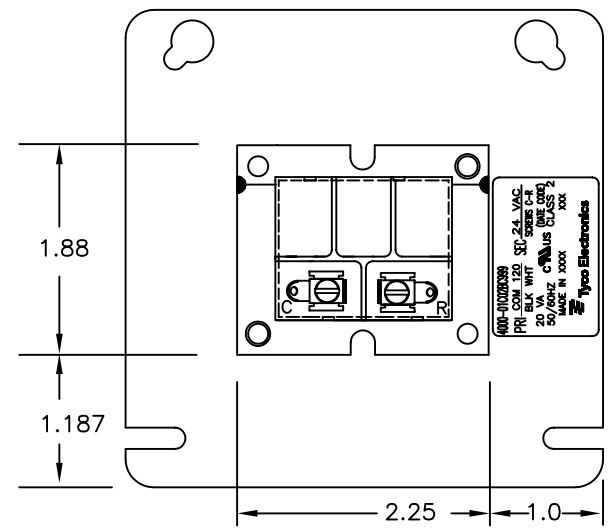
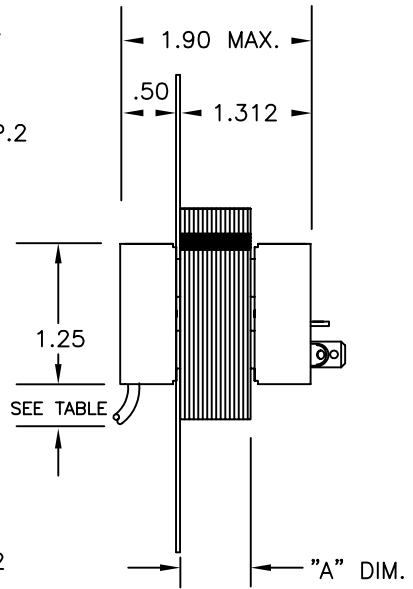
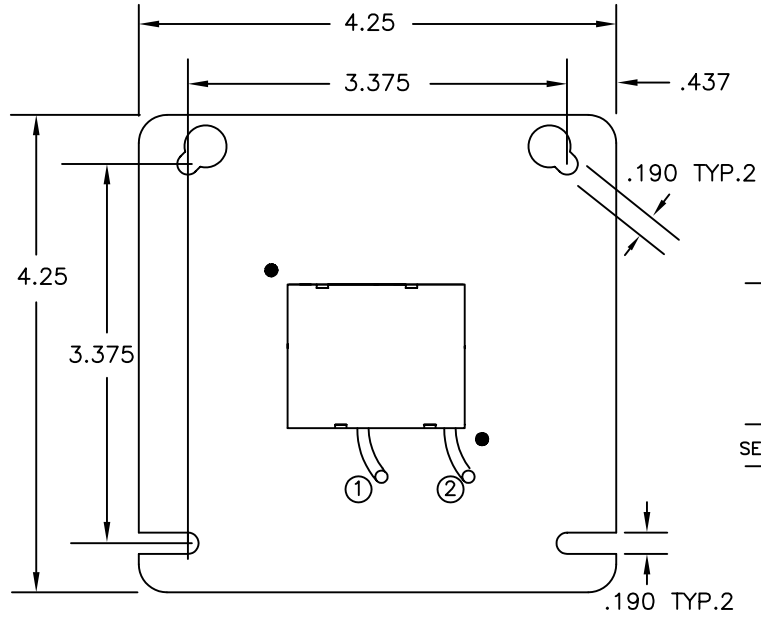


THIS DRAWING IS UNPUBLISHED. RELEASED FOR PUBLICATION
 © COPYRIGHT - BY TYCO ELECTRONICS CORPORATION. ALL RIGHTS RESERVED.

| LOC | | DIST | | REVISIONS | | | | | |
|-----|--|------|--|-----------|-----|---------------|---------|-----|------|
| GZ | | 00 | | P | LTR | DESCRIPTION | DATE | DWN | APVD |
| | | | | B | | ECR-07-026802 | 09NOV07 | KH | HT |

| | | | | | | | | | | | |
|--|------|------|--|--|--|--|--|------------------------|----------------|------|--|
| ALL LEADS 18AWG-UNLESS OTHERWISE SPECIFIED | | | | NOTES | | | | CERTIFICATION: | | | |
| PRIMARY | | | | 1. DIMENSIONS FOR REFERENCE ONLY. | | | | UL/CUL FILE NO. E87824 | | | |
| | | | | 2. ALL LEADS +1"/-0" TOL. | | | | SECONDARY | | | |
| | | | | 3. STRIP TOL ±1/32 | | | | TERM NO. | | | |
| | | | | 4. WINDING PROTECTION-INHERENTLY LIMITED | | | | VOLTAGE | | | |
| LEAD NO. | 1 | 2 | | | | | | 6 | 7 | | |
| VOLTAGE | COM | 120 | | | | | | 24 | VAC | | |
| COLOR | BLK | WHT | | | | | | TERMINAL | SCREW WITH QC. | TERM | |
| LENGTH | 12.0 | 12.0 | | | | | | LETTER | C | R | |
| STRIP LENGTH | .50 | .50 | | | | | | | | | |



TYCO ELECTRONICS PART NUMBER
 1-1611449-3

| | | | | | |
|--|--|------------------|------|-----------------------------------|---|
| THIS DRAWING IS A CONTROLLED DOCUMENT. | | DWN | K.H. | 30JAN04 | Tyco Electronics Corporation Harrisburg, PA 17105-3608 |
| DIMENSIONS: INCHES | | CHK | DH | 30JAN04 | |
| TOLERANCES UNLESS OTHERWISE SPECIFIED: | | APVD | HT | 30JAN04 | |
| 0 PLC ± - 1 PLC ± - 2 PLC ± .01 3 PLC ± .005 4 PLC ± - ANGLES ± - | | PRODUCT SPEC | | NAME | |
| MATERIAL | | APPLICATION SPEC | | TRANSFORMER OUTLINE P.U. STOCK | |
| FINISH | | WEIGHT | | SIZE | CAGE CODE |
| | | | | A3 | 00779 |
| | | CUSTOMER DRAWING | | DRAWING NO | RESTRICTED TO |
| | | | | C=4000-01C02BC999 | |
| | | SCALE | | SHEET | REV |
| | | 1:1 | | 1 of 1 | B |