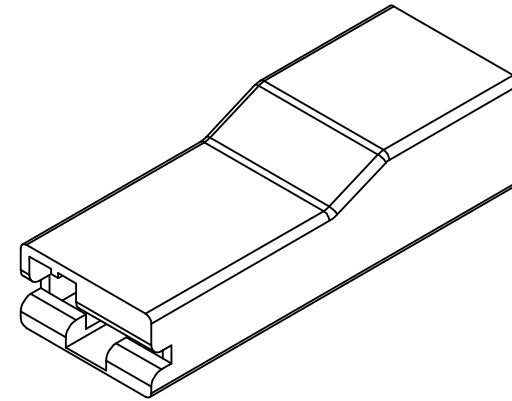
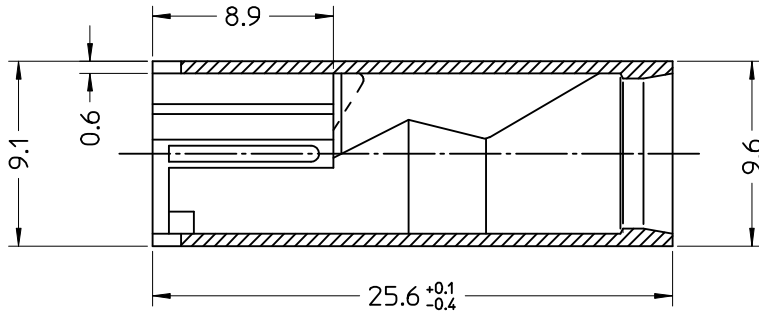
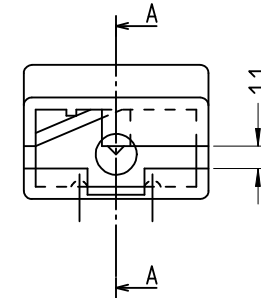
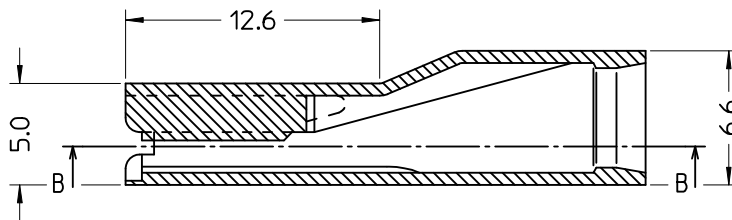


SEZIONE B-B



SEZIONE A-A



STD DESCR: HSG FOR 6.3 F TERM

CODICE P/N	COLORE COLOUR	MATERIALE sec. UL-94 MATERIAL ref. UL-94	CONFEZIONE PACKAGING
94090-5320	NATURALE/NATURAL	PA 6.6 V2	12.000 PZ IN SCATOLA (SPO) 12.000 PCS IN CARTON BOX (SPO)
94090-5321	NERO/BLACK	PA 6.6 HB	
94090-5322	ROSSO/RED	PA 6.6 HB	
94090-5326	NERO/BLACK	PA 6.6 V0	
94090-5324	NATURALE/NATURAL	NYLON 6.6 GWT 750°C IEC 60335-1 TEST METHOD IEC 60695-2-11	

EC NO: Z2008-0222 DRWN:SBARBIER 2008/06/23 CHKD:LSANTESSO 2008/06/23 APPR:FBI SELLO 2008/06/24	QUALITY SYMBOLS	GENERAL TOLERANCES (UNLESS SPECIFIED)	DIMENSION STYLE	SCALE	DESIGN UNITS	FIRST ANGLE PROJECTION
	DESCRIPTION	4 PLACES ± --- ± --- 3 PLACES ± --- ± --- 2 PLACES ± --- ± --- 1 PLACE ± 0.2 ± --- ANGULAR ± 3 °	MM ONLY	4:1	METRIC	

DRAWN BY LSANTESSO	DATE	TITLE
	1993/03/16	
CHECKED BY	DATE	
APPROVED BY	DATE	
MPREVIATO	1993/03/16	
MATERIAL NO.	DOCUMENT NO.	
SEE TABLE	SD-94090-017	

APPROVED BY	DATE
MPREVIATO	1993/03/16
MATERIAL NO.	DOCUMENT NO.
SEE TABLE	SD-94090-017

MOLEX INCORPORATED	SHEET NO.
SD-94090-017	1 OF 1
THIS DRAWING CONTAINS INFORMATION THAT IS PROPRIETARY TO MOLEX INCORPORATED AND SHOULD NOT BE USED WITHOUT WRITTEN PERMISSION	