

MICRO SWITCH
 FREEPORT ILLINOIS U.S.A.
 A DIVISION OF HONEYWELL
 FED. MFG CODE 81929

SWITCH-TOGGLE

CATALOG LISTING
104TL286-12 SERIES
 CHART 1

CATALOG LISTING
 ⚠️

AVAILABLE LOCKING COMBINATIONS FOR CONFIGURATION SEE LETTERING DETAILS

CURRENT CAPACITY (AMPS)

RESISTIVE LOAD					LAMP LOAD		INDUCTIVE LOAD		
DC VOLTS		AC VOLTS			VDC		VAC		
28	125	250	125	250	28	125	28	125	
7.5	.75	.5	7.5	6	5	4	7.5	7.5	

104TL286-12
 REPLACES SERIES

CATALOG LISTING
M 104TL286-12 SERIES CHART 1
 PAGE 1 OF 1

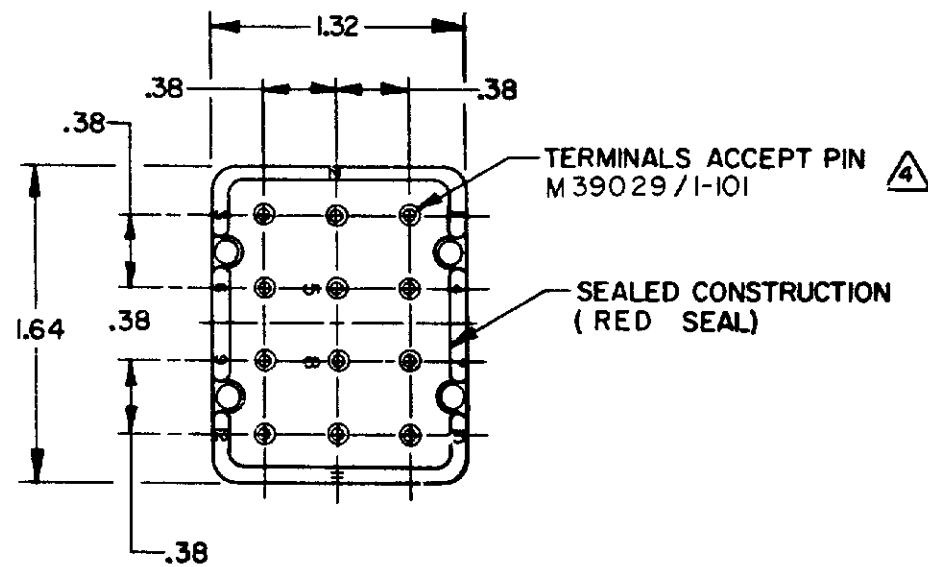
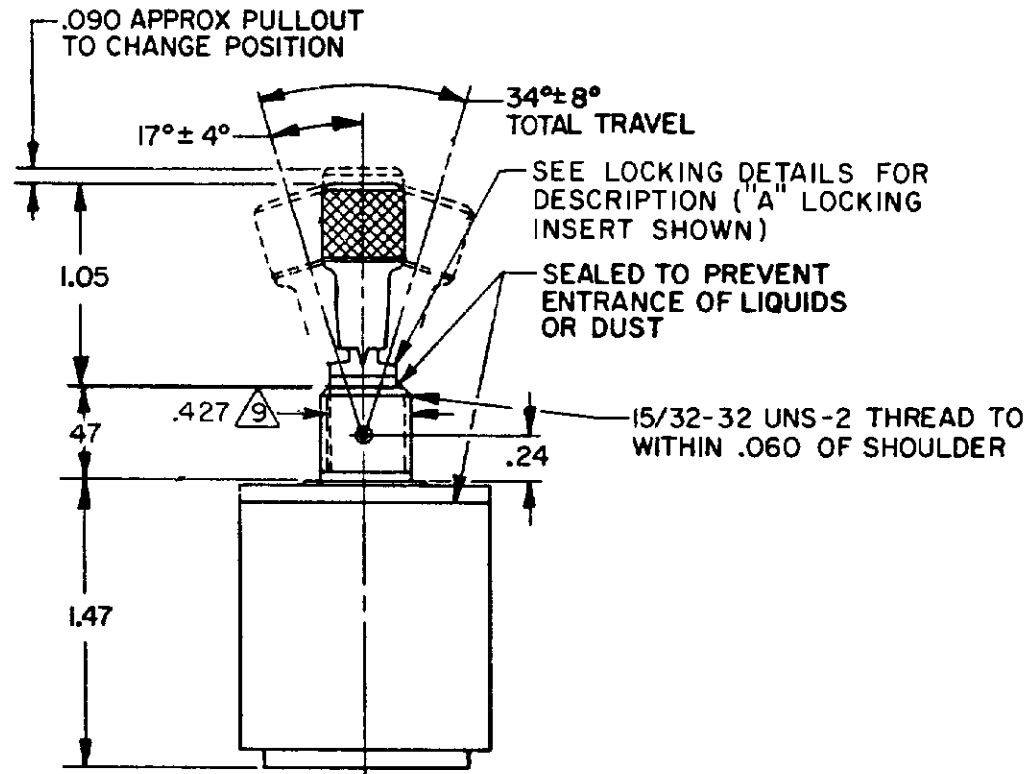
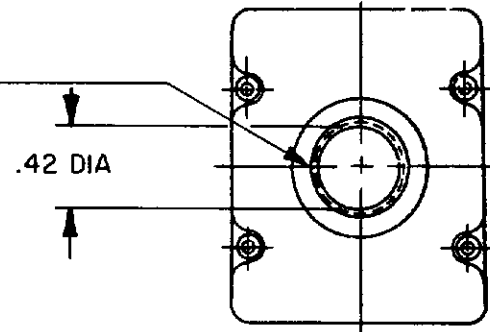
ISSUE
 3

REVISIONS
 A 0014018 TSG 24 JUN 05
 B 0020644 BNA 03APR06

AS 03APR06 RELEASE NO. CO-78465
 CHECK AK
 JJO 9 JUN 94 CHECK KAG

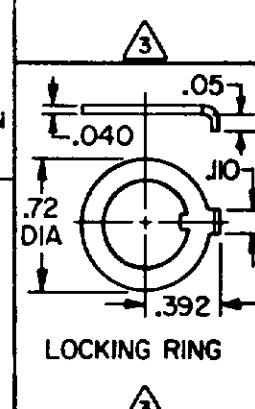
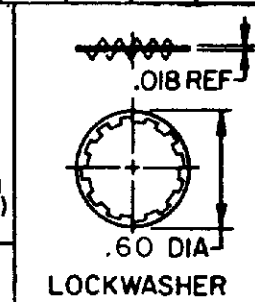
WARNING: THIS PRODUCT IS SUBJECT TO THE U.S. INTERNATIONAL TRAFFIC AND ARMS REGULATIONS (ITAR) AND THE EXPORT CONTROL LAWS OF THE UNITED STATES. TRANSFER OF TECHNICAL DATA PERTAINING TO THIS PRODUCT BY ANY MEANS TO A FOREIGN PERSON PER ITAR DEFINITIONS, WHETHER IN THE UNITED STATES OR ABROAD, WITHOUT A PRIOR EXPORT LICENSE OR OTHER APPROVAL FROM THE U.S. DEPARTMENT OF STATE IS PROHIBITED.

.076±.008 WIDE KEYWAY



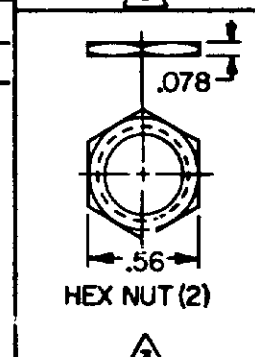
SCALE FULL
 DO NOT SCALE PRINT
 UNLESS OTHERWISE NOTED
 DIMENSIONS ARE IN INCHES
TOLERANCES ARE:
 ONE PLACE (.0) ±.030
 TWO PLACE (.00) ±.015
 THREE PLACE (.000) ±.005
 ANGLES ±.005
 WEIGHT .240 LB MAX

"A"	"B"	"D"	"E"	"F"
LOCKED IN THREE POSITIONS	LOCKED IN CENTER AND EXTREME POSITION (KEYWAY SIDE)	LOCKED OUT OF CENTER POSITION	LOCKED IN CENTER POSITION	LOCKED IN EXTREME POSITION (OPPOSITE KEYWAY)
"G"	"H"	"J"	"K"	"L"
LOCKED IN EXTREME POSITION (KEYWAY SIDE)	LOCKED OUT OF CENTER AND EXTREME POSITION (KEYWAY SIDE)	LOCKED OUT OF CENTER AND EXTREME POSITION (OPPOSITE KEYWAY)	LOCKED IN CENTER AND EXTREME POSITION (OPPOSITE KEYWAY)	LOCKED OUT OF EXTREME POSITION (KEYWAY SIDE)
"M"	"N"	"P"		
LOCKED OUT OF AND INTO EXTREME POSITION (OPPOSITE KEYWAY)	LOCKED OUT OF EXTREME POSITION (OPPOSITE KEYWAY)	LOCKED OUT OF AND INTO EXTREME POSITION (KEYWAY SIDE)		



CIRCUIT MADE WITH TOGGLE LEVER IN

KEYWAY SIDE	CENTER	OPPOSITE KEYWAY
MAINTAINED POSITION	MAINTAINED POSITION	MAINTAINED POSITION



- NOTES**
- SWITCHES ARE CAPABLE OF WITHSTANDING A TEMPERATURE OF 160°F CONTINUOUSLY AT FULL RATED LOAD
 - CIRCUIT DESIGNATION, MICRO SWITCH CATALOG LISTING AND MILITARY PART NUMBER STAMPED ON SIDE OF SWITCH
 - FURNISHED UNASSEMBLED
 - THE SEALING GROMMET SHALL SEAL ON A SMOOTH WIRE INSULATION OF .040 TO .083 DIAMETER (16-20 GAGE)
 - KEYWAY SHOWN ON LEFT
 - SUFFIX LETTER MUST BE ADDED FOR DESIRED TYPE OF TOGGLE LOCKING. SEE CHART FOR AVAILABLE LOCKING COMBINATIONS
 - UNUSED TERMINAL HOLES MAY BE SEALED WITH PLUGS M83723/28-20
 - TOGGLE AND BUSHING ARE NICKEL PLATED
 - FROM MAJOR DIA. OF 15/32 THREAD TO BOTTOM OF KEYWAY