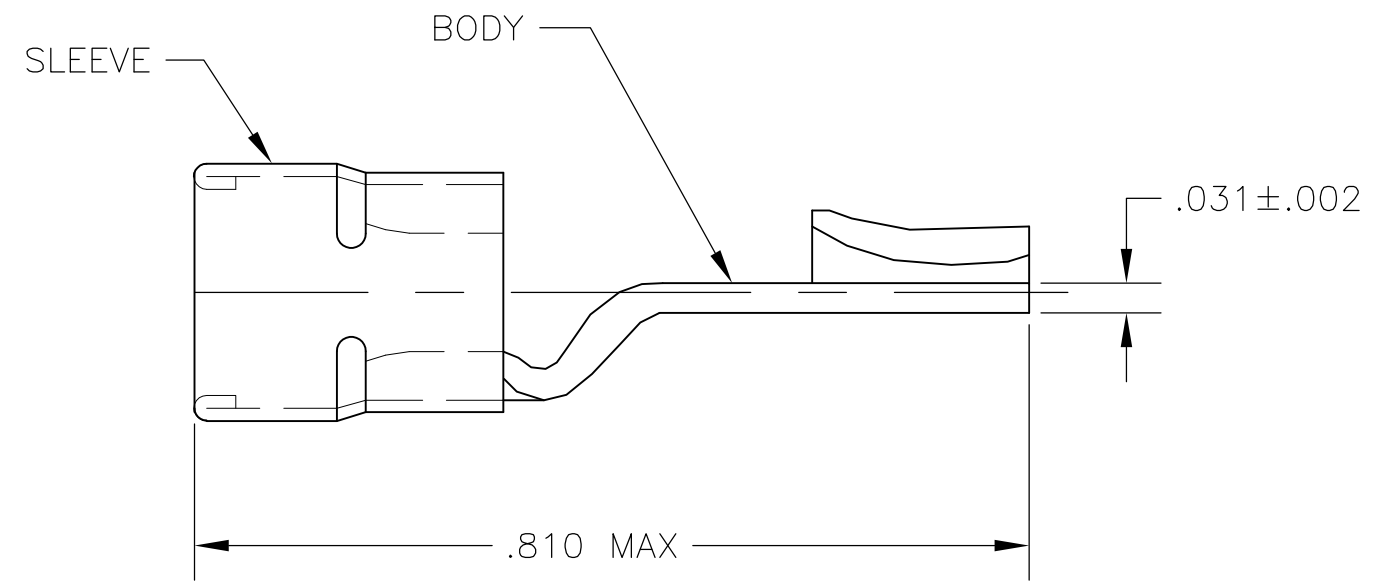
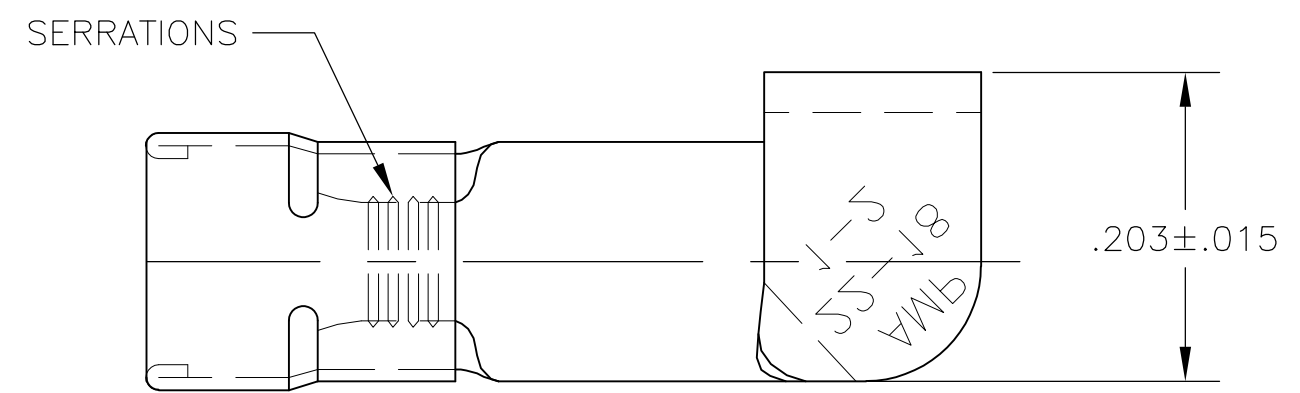


THIS DRAWING IS UNPUBLISHED. RELEASED FOR PUBLICATION
 © COPYRIGHT BY TYCO ELECTRONICS CORPORATION. ALL RIGHTS RESERVED.

LOC	DIST	REVISIONS			
P	LTR	DESCRIPTION	DATE	DWN	APVD
G	86	J	REVISED PER ECR-08-018477	07AUG08	HMR TM



- 1 FOR .080 TO .125 WIRE INSULATION DIA
- 2 MARKING 22-18 FOR MILITARY COMMERCIAL RANGE 22-16.
- △ 3 BODY & SLEEVE: COPPER PER ASTM-B152
- △ 4 TIN PLATE .000100 MIN THK PER ASTM-B545

5000	31770 ON TAPE	2-31770-2
1000	LOOSE PIECE	31770
QTY	PACKAGE TYPE	PART NO

THIS DRAWING IS A CONTROLLED DOCUMENT.		DWN jr_ruth 22DEC2003	Tyco Electronics Corporation Harrisburg, PA 17105-3608	
DIMENSIONS: INCHES 		CHK MJ SPICER 22DEC03		
TOLERANCES UNLESS OTHERWISE SPECIFIED: 0 PLC ± - 1 PLC ± - 2 PLC ± - 3 PLC ± .008 4 PLC ± - ± 5' ANGLES ± - ± 5'		APVD MJ SPICER 22DEC03	NAME WIRE TERMINAL DIAMOND GRIP-KNIFE DISCONNECT WIRE SIZE: 22-16	
MATERIAL △ 3		FINISH △ 4	PRODUCT SPEC -	APPLICATION SPEC -
		WEIGHT -	SIZE A3	CAGE CODE 00779
			DRAWING NO G-31770	RESTRICTED TO -
		CUSTOMER DRAWING	SCALE 5:1	SHEET 1 OF 1
				REV J