

1

2

3

4

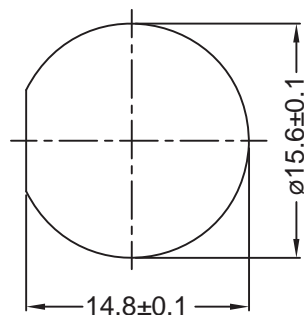
5

6

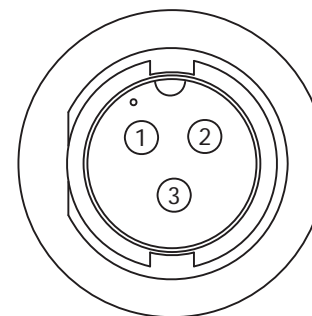
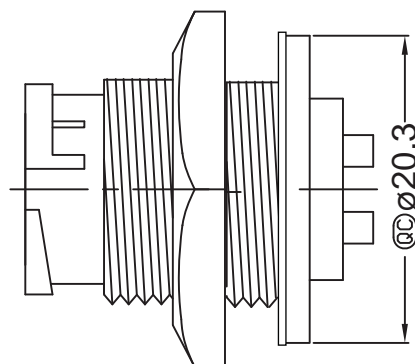
7

A

A



Recommended Panel Cut-Out

Pin Assignments  
Front View

B

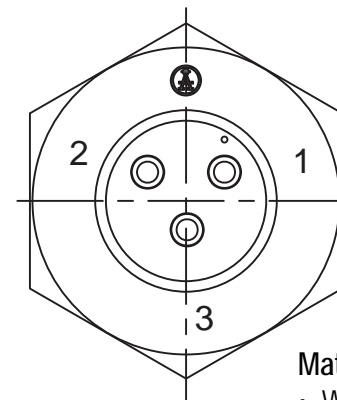
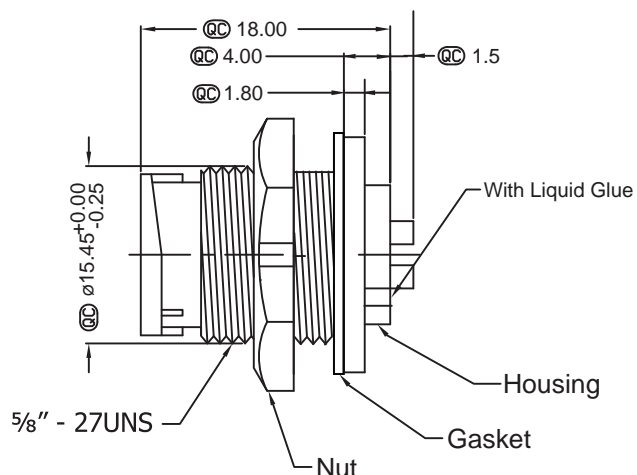
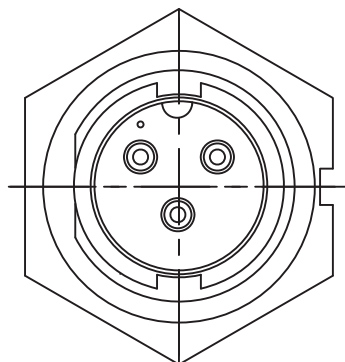
B

C

C

D

D



E

E

F

F

**Material:**

- Waterproof Rate: IP67
- Connector: Nylon+GF, Black
- Pin: Copper Alloy, Gold Plated

**QC** Quality Control: Important Dimension to check

Unit: mm



Scale	1:1					Date	Name	Title
TOLERANCE						Drawn	06.03.14	Wilson
X.X	±0.40					Approved	06.03.14	Groll
X.XX	±0.25							
X.XXX	±0.15							
DIM	TOL							
X.°	±3°							
X.X°	±X°							
Angle	TOL	Id.	Modification	Date	Name			

**ASSMANN**  
WSW components

1840 W. Drake Drive, Suite 101 • Tempe, AZ 85283  
Toll Free: 1-877-277-6266 • Email: info@assmann.us

Title  
**Waterproof Circular connector**  
5A Solder type, Panel mount, Male, 3 pin

ASSMANN WSW-No.  
**A-CR-03PMMS-LC-WP**

Drawing-No.  
**ASS 6237 CO** rev00

Replace Sheet  
1/1

1

2

3

4

5

6

7

H

H