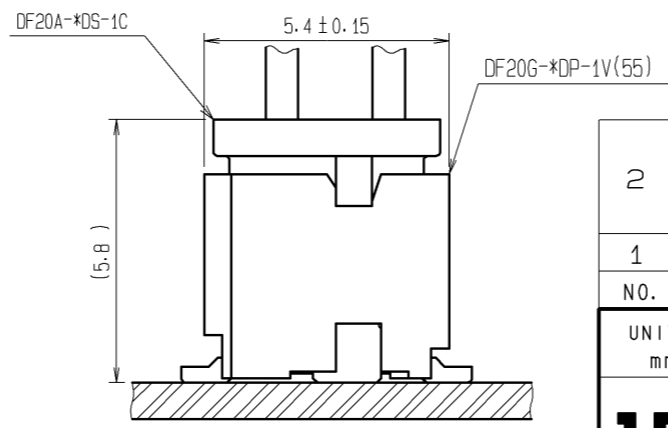
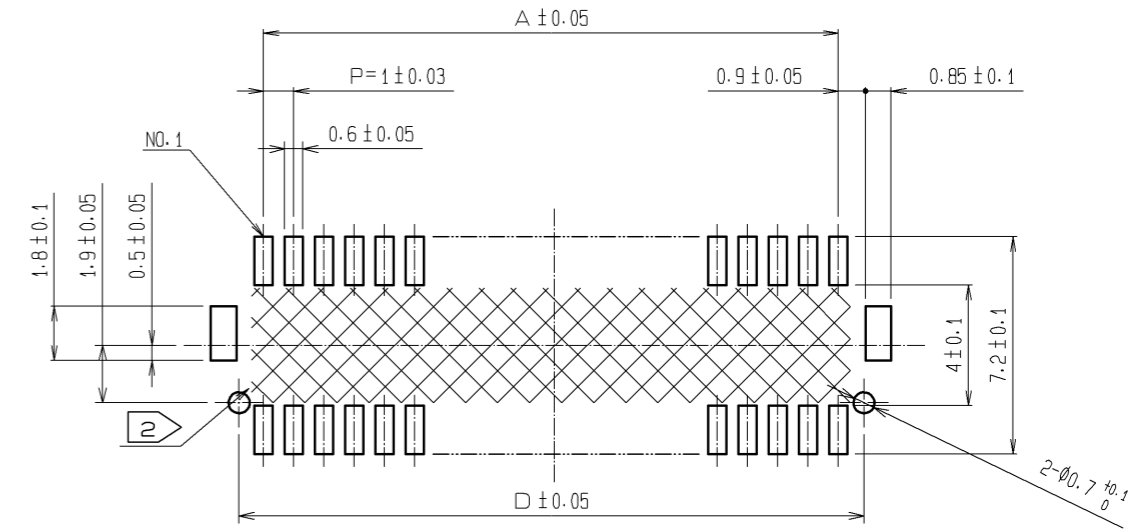


APPLICATION DIAGRAM(FREE)

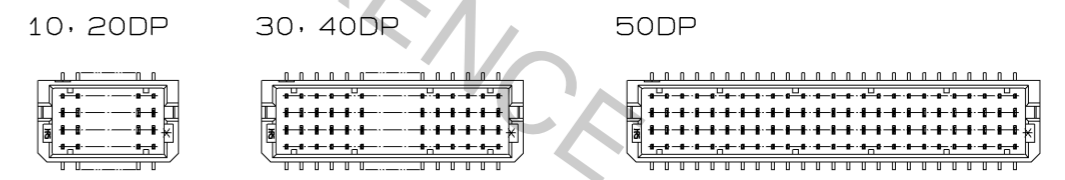


RECOMMENDED PATTERN(FREE)



PART NO.	HRS NO.	NUMBER OF CONTACTS	A	B	C	D
DF20G-10DP-1V(55)	CL686-0032-2-55	10	4.0	7.3	6.6	5.7
DF20G-20DP-1V(55)	CL686-0033-5-55	20	9.0	12.3	11.6	10.7
DF20G-30DP-1V(55)	CL686-0034-8-55	30	14.0	17.3	16.6	15.7
DF20G-40DP-1V(55)	CL686-0035-0-55	40	19.0	22.3	21.6	20.7
DF20G-50DP-1V(55)	CL686-0036-3-55	50	24.0	27.3	26.6	25.7

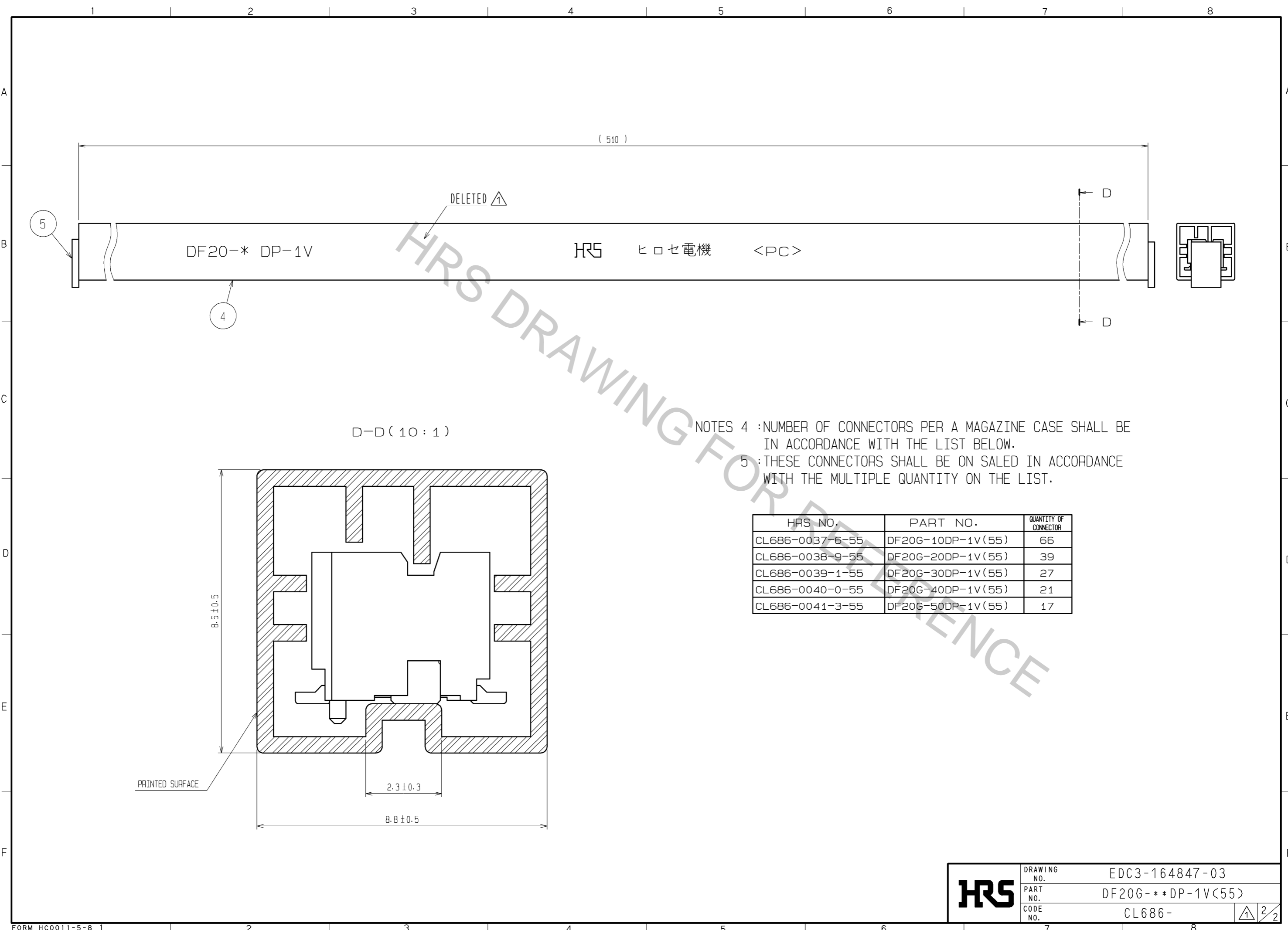
NOTE1: LEAD CO-PLANARITY SHALL BE 0.1mm MAX INCLUDING METAL HOLD DOWN.
 ② IF THERE IS PATTERN ON PART, THERE IS A POSSIBILITY THAT IT WILL MAKE CONTACT WITH THE LEADS.
 ③ THE NUMBER AND POSITION OF A RIB ARE AS FOLLOWS BY THE NUMBER OF CONTACTS.



NO.	MATERIAL	FINISH	REMARKS	NO.	MATERIAL	FINISH	REMARKS
2	PHOSPHER BRONZE		Contact Area:Gold Plated 0.2μm min. Lead Area:Gold Plated 0.015μm min. Under Plating:Nickel Plated 2μm min.	5	S. PVC		STOPPER, GREEN
1	POLYAMIDE		NATURAL (BEIGE), UL94V-0	4	PC-M		ELECTROSTATIC PROTECTION, CLEAR
				3	BRASS		Surface:Tin-Copper Plated 1μm min. Under Plating:Nickel Plated 1μm min.

UNITS	SCALE	COUNT	DESCRIPTION OF REVISIONS	DESIGNED	CHECKED	DATE
mm	5 : 1	1	DIS-H-008680	MI. SAKIMURA	TS. FUKUSHIMA	14. 04. 11

APPROVED	: TY. OMA	06. 08. 07	DRAWING NO.	EDC3-164847-03
CHECKED	: HK. UMEHARA	06. 08. 07	PART NO.	DF20G- ** DP-1V(55)
DESIGNED	: AH. MIYAZAKI	06. 08. 04	CODE NO.	CL686-
DRAWN	: AH. MIYAZAKI	06. 08. 04		



HRS DRAWING FOR REFERENCE

NOTES 4 : NUMBER OF CONNECTORS PER A MAGAZINE CASE SHALL BE IN ACCORDANCE WITH THE LIST BELOW.
 5 : THESE CONNECTORS SHALL BE ON SALED IN ACCORDANCE WITH THE MULTIPLE QUANTITY ON THE LIST.

HRS NO.	PART NO.	QUANTITY OF CONNECTOR
CL686-0037-6-55	DF20G-10DP-1V(55)	66
CL686-0038-9-55	DF20G-20DP-1V(55)	39
CL686-0039-1-55	DF20G-30DP-1V(55)	27
CL686-0040-0-55	DF20G-40DP-1V(55)	21
CL686-0041-3-55	DF20G-50DP-1V(55)	17

HRS	DRAWING NO.	EDC3-164847-03
	PART NO.	DF20G-**DP-1V(55)
	CODE NO.	CL686-
	2/2	