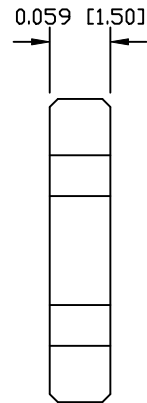
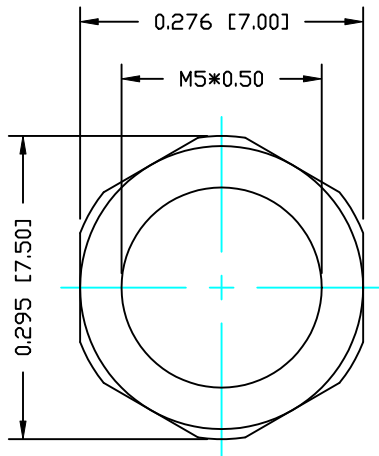
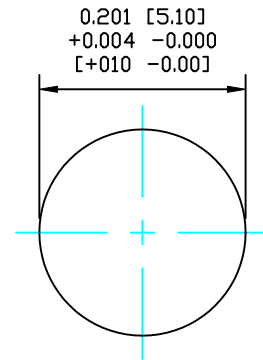


DESCRIPTION: M5 FEMALE - PANEL MOUNT (FRONT) - SOLDER CUP - 2 POSITION



NUT



RECOMMENDED
PANEL CUTOUT

NOTE:

MATERIAL

HOUSING: PBT UL94V-0, BLACK
 CONTACT: BRASS
 NUT: BRASS
 SHELL: BRASS
 O-RING: NBR, BLACK

FINISH

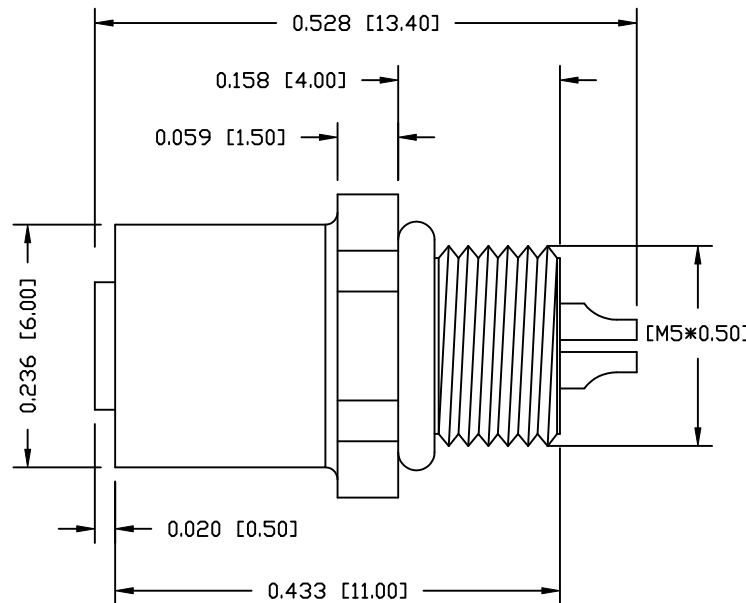
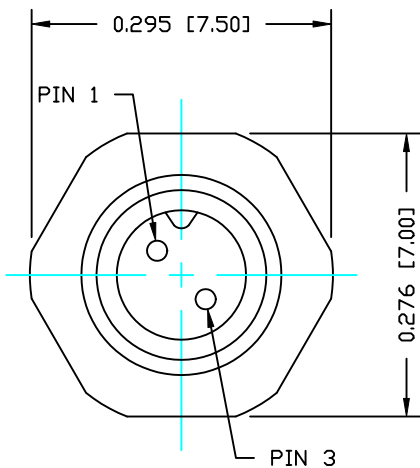
CONTACT: GOLD PLATED
 OVER 50µ NICKEL
 NICKEL PLATED
 NUT: NICKEL PLATED
 SHELL: NICKEL PLATED

ELECTRICAL

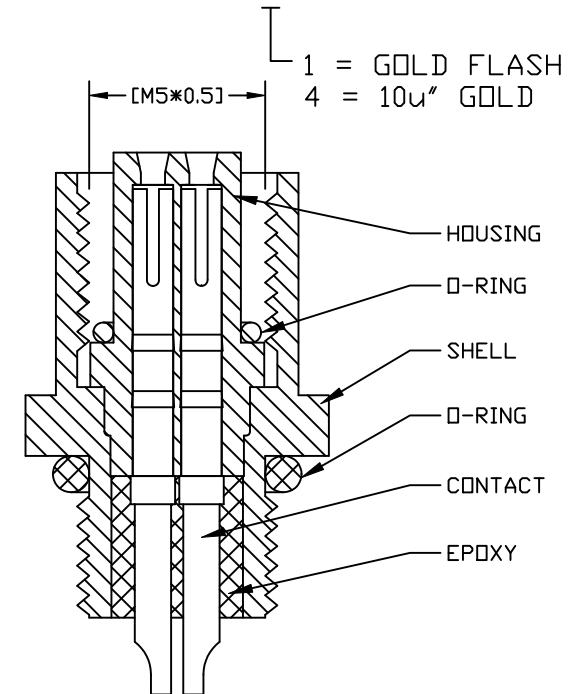
RATED CURRENT: 1A
 RATED VOLTAGE: 60V
 INSULATION RESISTANCE: 100 mΩhms MIN.
 CONTACT RESISTANCE: 10 MΩhms MAX.
 WATER PROOF: IP67

ENVIRONMENT

OPERATION TEMPERATURE: -40°C TO +85°C
 WIRE GAUGE: 26-28 AWG



851-002-203R00Y



RoHS COMPLIANT

DO NOT SCALE FROM DRAWING



THESE DRAWINGS AND SPECIFICATIONS ARE THE PROPERTY OF NorComp AND SHALL NOT BE REPRODUCED, COPIED OR USED AS THE BASIS FOR THE MANUFACTURE OR SALE OF APPARATUS WITHOUT WRITTEN PERMISSION.

DRAWN: M. SIGMON

DATE: 03-03-16

CHECKED:

DATE:

NorComp

SCALE: NTS

SHEET 1 OF 1

REV 1

DWG NO.

851-002-203R00Y