

THIS DRAWING IS UNPUBLISHED. RELEASED FOR PUBLICATION  
 © COPYRIGHT - BY TYCO ELECTRONICS CORPORATION, ALL RIGHTS RESERVED.

LOC	DIST	REVISIONS					
		P	LTR	DESCRIPTION	DATE	DWN	APVD
-	-	A		RELEASED	13NOV2007	S.I	I.H
-	-	AI		REVISED	30MAY2008	S.I	I.H

D

C

B

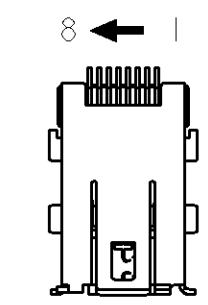
A

D

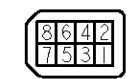
C

B

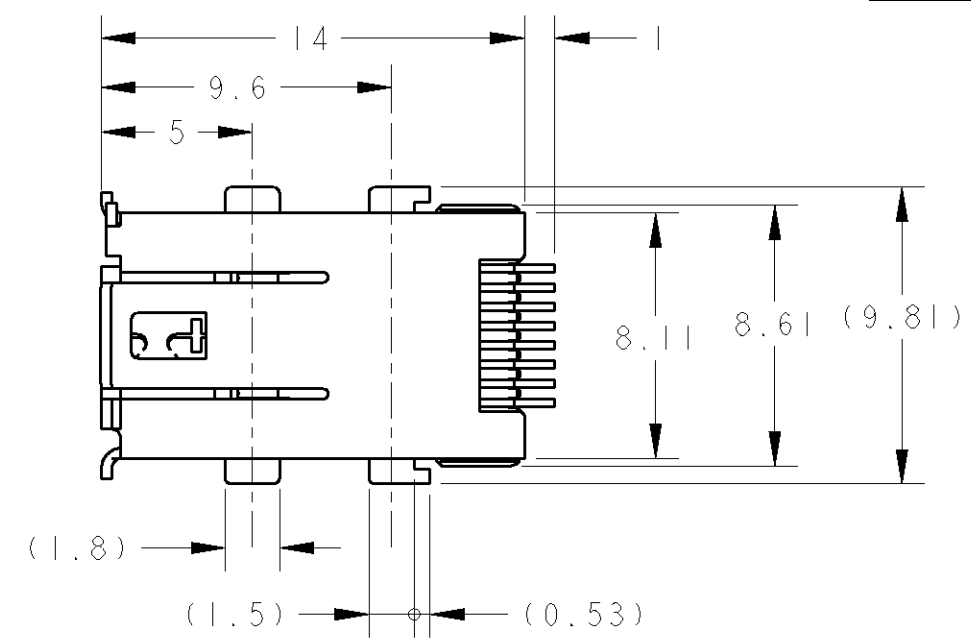
A



D-SHAPE TYPE I



回路番号  
CIRCUIT NO.



注記

① 材料及び仕上げ  
 コントラクト  
 材料: 銅合金  
 全面Ni 下地めっき 1.27μmMIN  
 接点部: Auめっき 0.5μmMIN  
 半田付け部: Auフラッシュめっき  
 ハウジング  
 材料: 熱可塑性樹脂  
 難燃性 UL 94V-0  
 シェル  
 材料: 銅合金  
 全面Ni 下地めっき  
 全面Snめっき

② SMTリード先端部の平坦度(コプラナリティー): 0.1MAX

③ 顧客決定寸法

NOTE

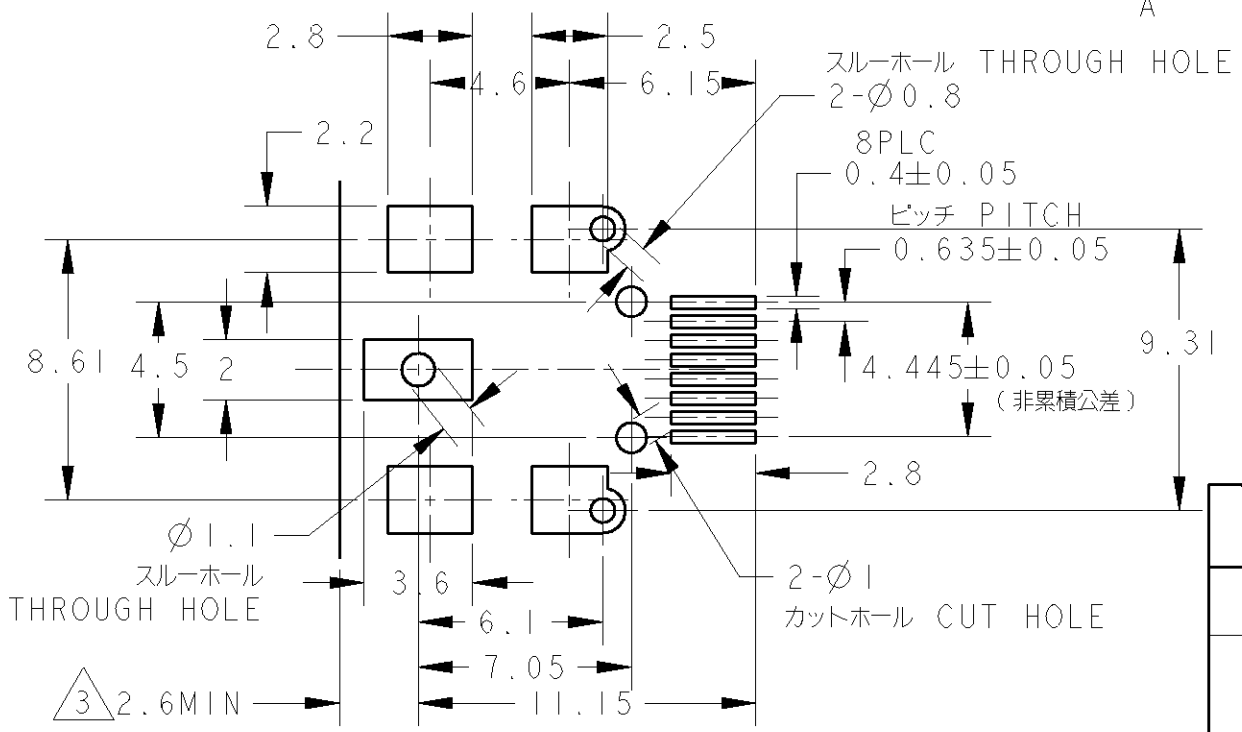
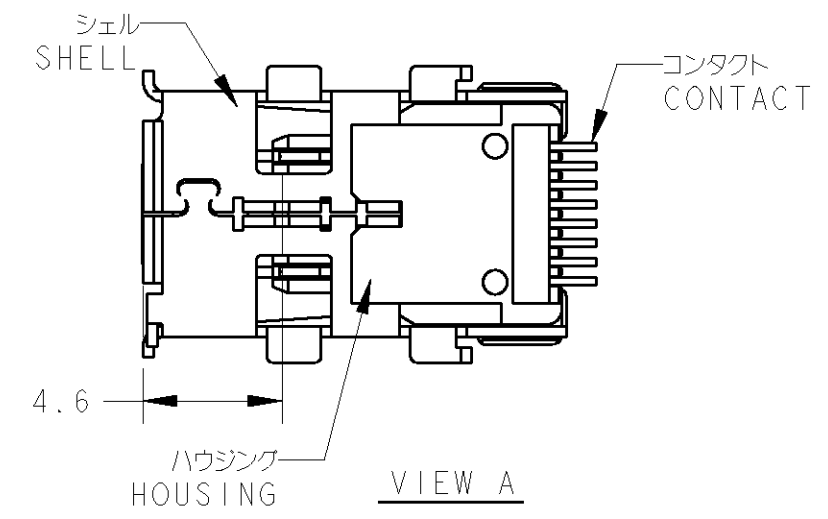
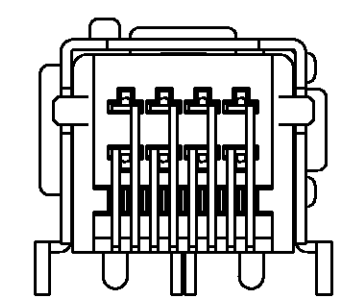
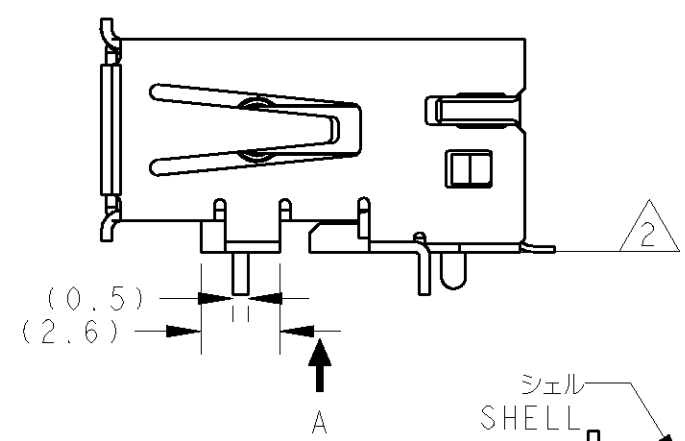
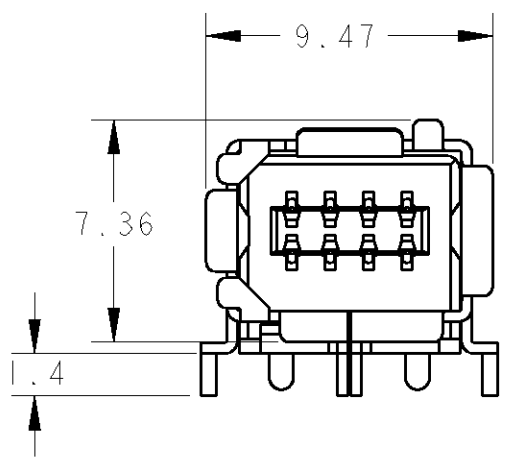
① MATERIAL AND FINISH  
 CONTACT  
 COPPER ALLOY  
 UNDER ALL SURFACE Ni 1.27μm MIN  
 TOP CONTACT AREA Au 0.5μm MIN  
 SOLDERING AREA Au FLASH

HOUSING  
THERMO PLASTIC(UL94V-0)

SHELL  
COPPER ALLOY  
UNDER ALL SURFACE Ni  
TOP ALL SURFACE Sn

② COPLANARITY 0.1 MAX(TOP OF LEAD)

③ DIMENSION DECIDED BY CUSTOMER.



推奨基板寸法(実装面側) ±1.6  
 RECOMMENDED BOARD DIMENSION  
 (CONNECTOR SIDE) ±1.6

THIS DRAWING IS A CONTROLLED DOCUMENT FOR TYCO ELECTRONICS CORPORATION  
 IT IS SUBJECT TO CHANGE AND THE CONTROLLING ENGINEERING ORGANIZATION  
 SHOULD BE CONTACTED FOR THE LATEST REVISION.

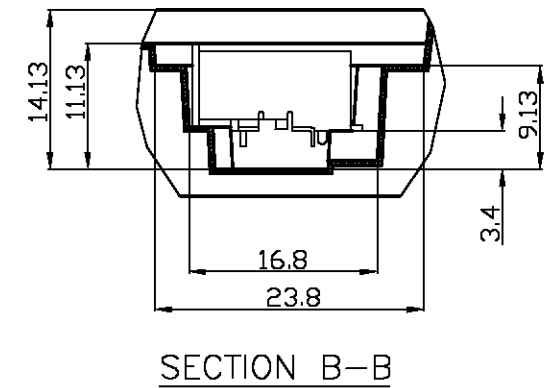
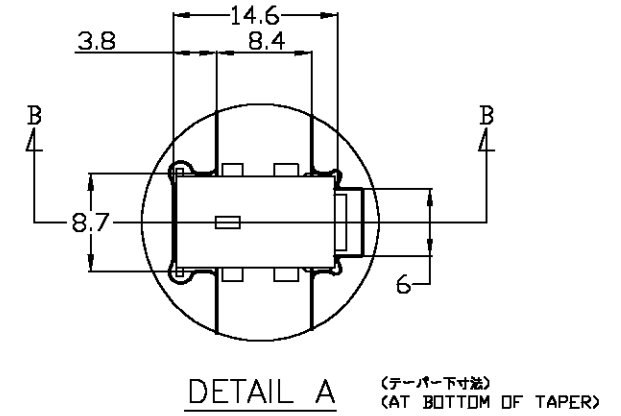
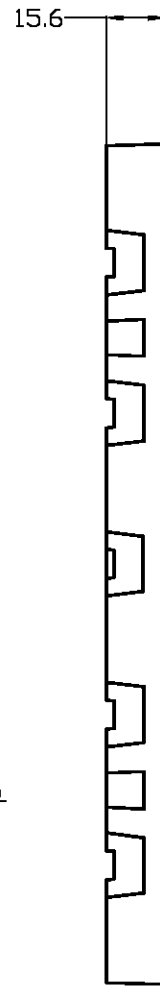
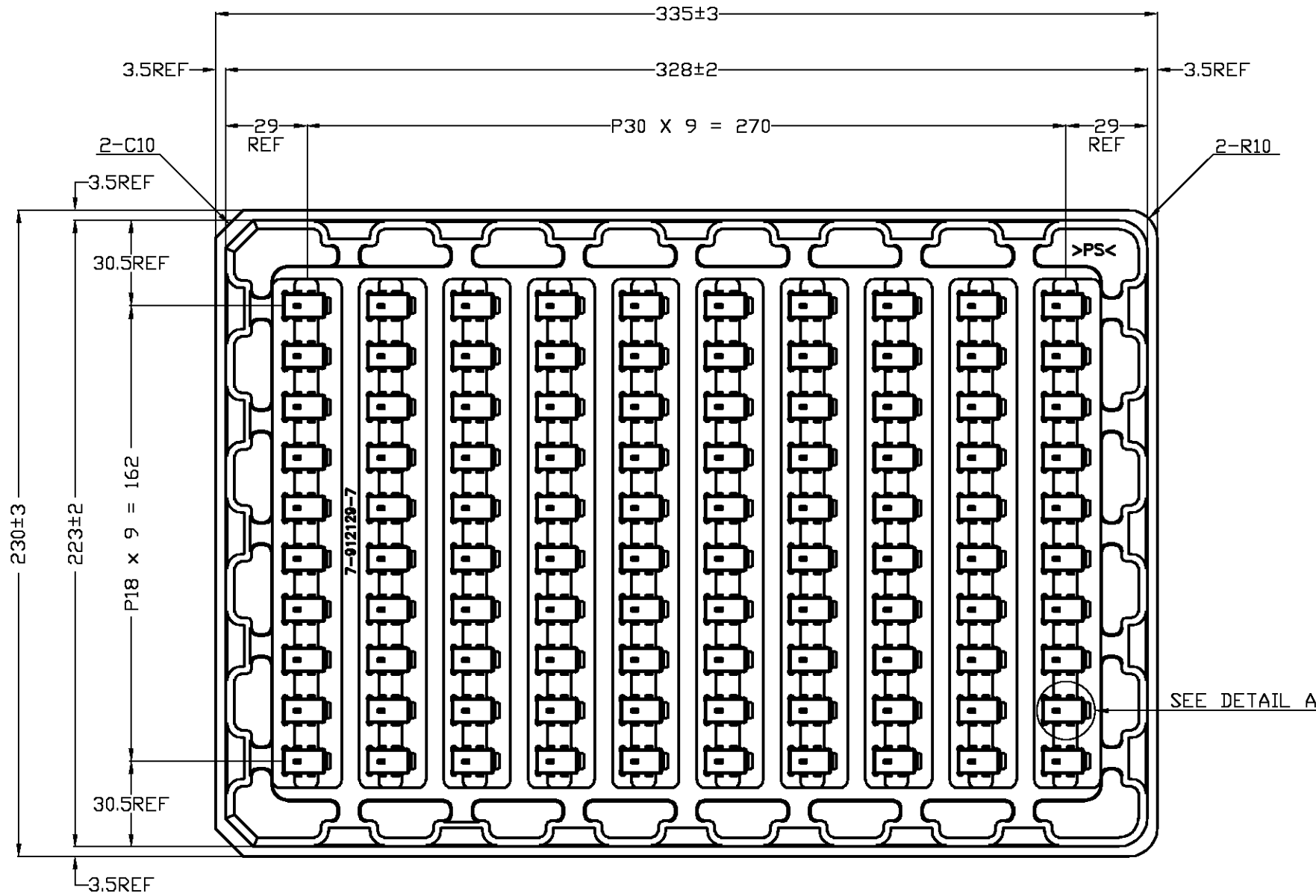
DIMENSIONS: 単位: 概 mm	TOLERANCES UNLESS OTHERWISE SPECIFIED: 一般公差 ±0.2 0-PLC ± 1-PLC ± 2-PLC ± 3-PLC ± 4-PLC ± ANGLES ±	DWN S. INOMATA 13NOV2007 CHK I. HASAGAWA 13NOV2007 APVD I. HASAGAWA 13NOV2007 PRODUCT SPEC 108-78405 APPLICATION SPEC 取付適用規格	MATERIAL 材料	FINISH 仕上	WEIGHT -
----------------------------	---	--	-------------	-----------	----------

TRAY (SEE SHEET 2 OF 2)	1981080-1
PACKAGING STYLE	PART NO.
<b>tyco</b> Tyco Electronics AMP K.K. <b>Electronics</b> Kawasaki, Japan	
NAME 名称 INDUSTRIAL MINI I/O CONN. 1.27MM PITCH 8P HDR ASSY D-SHAPE TYPE I	
SIZE A3	RESTRICTED TO -
CAGE CODE -	DRAWING NO 1981080
CUSTOMER DRAWING	
SCALE 4:1	SHEET 1 OF 2 REV AI

THIS DRAWING IS UNPUBLISHED. RELEASED FOR PUBLICATION  
 © COPYRIGHT BY TYCO ELECTRONICS CORPORATION. ALL RIGHTS RESERVED.

LOC	DIST	REVISIONS					
		P	LTR	DESCRIPTION	DATE	DWN	APVD
-	-	-	-	SEE SHEET 1	-	-	-

-1: 本図  
1-: AS SHOWN



注記  
 △トレー材質: ポリスチレン  
 5 製品入り数: 100 / 1トレー

NOTE  
 △TRAY MATERIAL: POLYSTYRENE  
 5 PRODUCT QUANTITY: 100 / 1TRAY

THIS DRAWING IS A CONTROLLED DOCUMENT.		DWN SEE SHEET 1	Tyco Electronics Tyco Electronics Corporation Kawasaki, Japan	
DIMENSIONS: 単位: 耗 mm		CHK SEE SHEET 1	NAME 名称 INDUSTRIAL MINI I/O CONN. 1.27MM PITCH 8P HDR ASSY D-SHAPE TYPE 1	
TOLERANCES UNLESS OTHERWISE SPECIFIED: 一般公差 ±0.5		APVD SEE SHEET 1	SIZE A3	
0-PLG ± 1-PLG ± 2-PLG ± 3-PLG ± 4-PLG ± ANGLES ±		PRODUCT SPEC 製品規格 SEE SHEET 1	CAGE CODE -	DRAWING NO 番号 C-1981080
MATERIAL 材料 △		FINISH 仕上 -	APPLICATION SPEC 取付適用規格 -	RESTRICTED TO -
		WEIGHT -	SCALE 尺度 NONE	SHEET 2 OF 2
		CUSTOMER DRAWING	REV A1	