

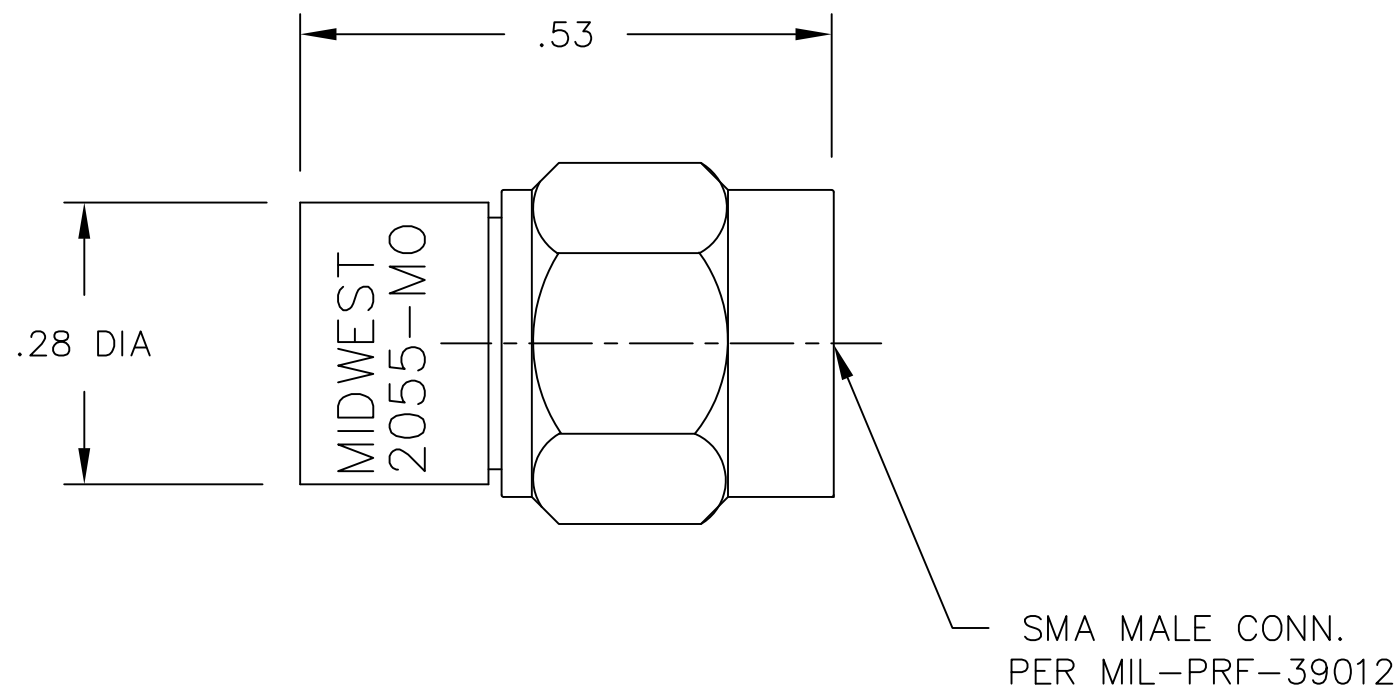
NOTES:

1.0 ELECTRICAL SPECIFICATIONS:

- 1.1 FREQUENCY RANGE: DC to 18.0 GHz
- 1.2 MAXIMUM INPUT POWER: 2 WATT AVG. @ +25°C
DERATED LINEARLY TO 1 WATT @ +125°C
- 1.3 TEMPERATURE RANGE:
OPERATING: -65°C to +125°C
STORAGE: -65°C to +125°C
- 1.4 IMPEDANCE: 50 OHMS
- 1.5 VSWR: 1.05 +0.008f(GHz) MAX.
- 1.6 WEIGHT: 0.12 Oz. (3.4 GRAMS)


2.0 MARKING:

MARK UNIT AS SHOWN
(REF.: INK-02639-27-01)



DWG NO. WAS: 02361-01-00

REV.	DESCRIPTION	DATE
-	RELEASED	11/21/89
A	ECR 6545	6/29/89
B	ECR 6942	11/16/89
B1	REDRAW ON CAD	9/3/91
C	ECN 11825	5/18/92
C1	ADDED TITLEBLOCK	10/27/05

<p>NOTICE: The information contained in this drawing is proprietary and must not be used without the permission of Cinch Connectivity Solutions.</p> <p>UNLESS OTHERWISE NOTED DIMENSIONS ARE IN INCHES AND TOLERANCES ARE: 3 PLACE DECIMALS ±.005 2 PLACE DECIMALS ±.02 FRACTIONS ±1/64 PARALLELITY: T.I.R. _____ FLATNESS: T.I.R. _____ CONCENTRICITY: T.I.R. _____ ANGLES AND PERPENDICULARITY: ±1'</p>	<p>CAGE CODE</p> <p>34078</p>	<p>MIDWEST MICROWAVE</p>	
		<p>TITLE</p> <p>TERMINATION OUTLINE DRAWING</p>	
<p>DRAWN/DATE</p> <p>A.BEATTY 9/4/91</p>	<p>ENG./DATE</p> <p>G.KOZAK 9/5/91</p>	<p>DRAWING NUMBER</p> <p>TRM-2055-MO-SMA-02-01</p>	<p>REV.</p> <p>C1</p>
<p>CHECKED/DATE</p> <p>C.RICKARD 9/5/91</p>	<p>APPROVED/DATE</p>	<p>SCALE: 5=1</p>	<p>SHEET 1 of 1</p>