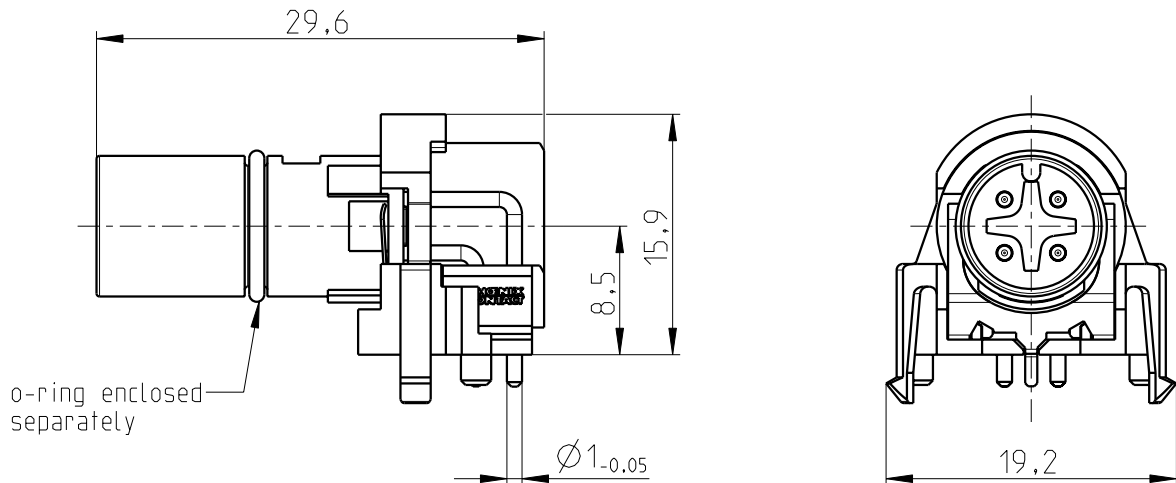


The copying, distribution and utilization of this document as well as the communication of the contents to others without expressed authorization is prohibited according to §18 UWG German Law. Offenders will be held liable for the payment of damages according to §19 UWG German Law. All rights reserved, in particular the right to carry out patent, utility model or ornamental design registrations.

Mechanical data (according to IEC 61076-2-101)		Material	
no. of poles / coding	4 / A (with shield connection)	contacts / surface	CuZn with gold layer
contact termination	dip solder	contact carrier colour	PA6T/66 black
contact- $\varnothing$	4x $\varnothing$ 1mm	sealing gasket	FKM
temperature range	-40 °C to +85 °C		
protection class	IP67		
mating cycles	>100		

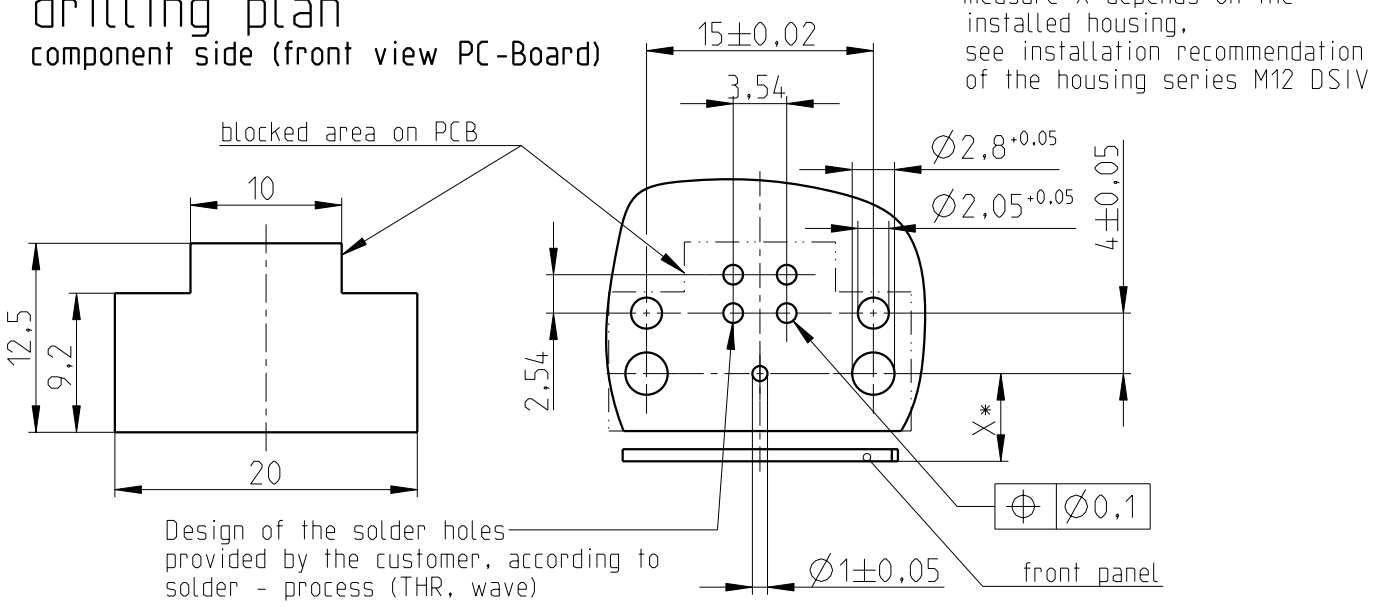
further information:  
- see technical data M12-3

While mounting the insulating body with o-ring into the housing, the axial mounting force on each connector shouldn't be higher than 80N. Avoid radial forces!



All specified data refers to the mounted M12 installation plugs  $\geq$  IP54 and requires that the connector pair be correctly plugged and locked. Influences from wires, cables or PCB mounting are also to be taken into consideration.

### drilling plan component side (front view PC-Board)



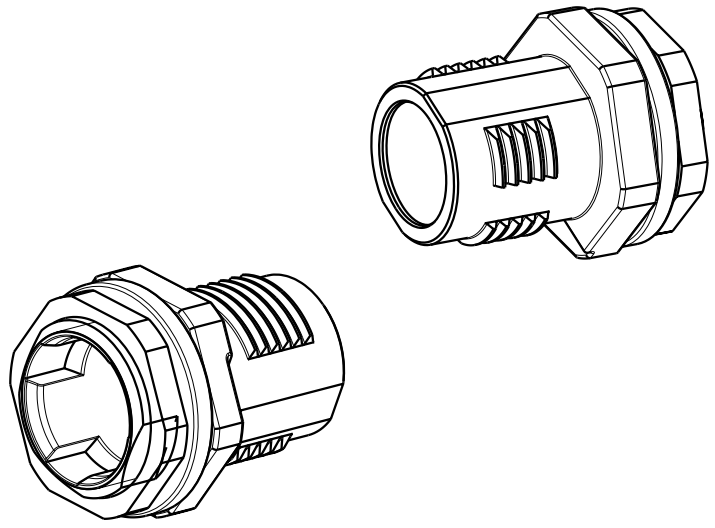
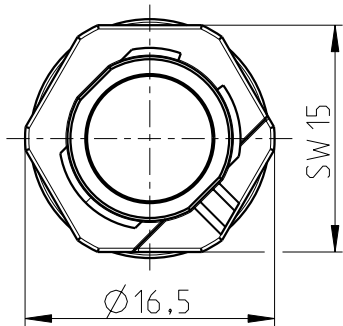
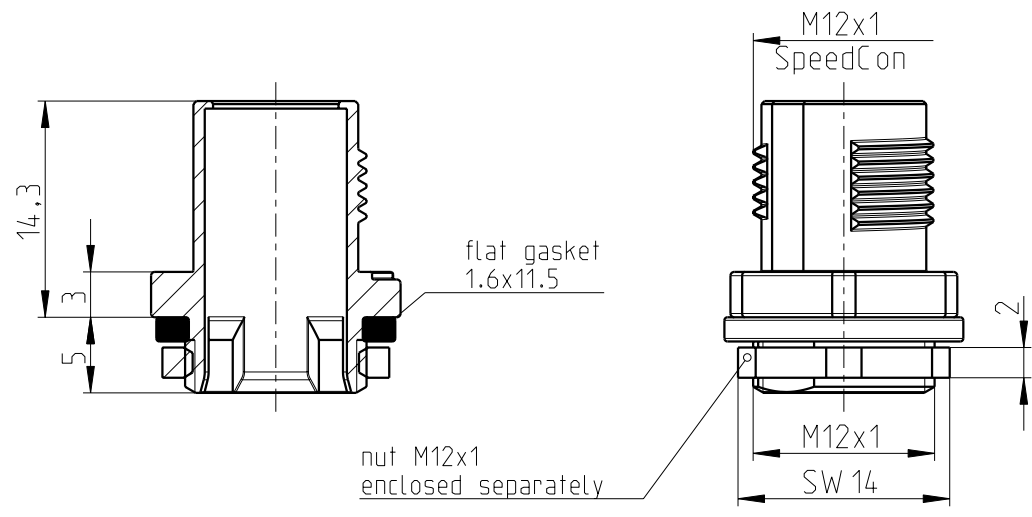
general tolerance acc. to DIN ISO 2768-c		technical changes reserved		Index 1 / 2012-07-06		scale: 2:1	
design	2012-07-06	Scheerer		Series DSIV M12-installation plug angled 4-pole pin/A-cod./shield connection/SCO/flat gasket			
chk.							
		drawing-no.:	BS-04P2NG2M500		doc.-no.:	00671360	
		order-no.:	1439913				
		article designation:	SACC-DSIV-MS-4CON-L90 SH SCO				

The copying, distribution and utilization of this document as well as the communication of the contents to others without expressed authorization is prohibited according to §18 UWG German Law. Offenders will be held liable for the payment of damages according to §19 UWG German Law. All rights reserved, in particular the right to carry out patent, utility model or ornamental design registrations.

Weitergabe sowie Vervielfältigung dieses Dokuments, Verwertung und Mitteilung seines Inhalts gem §18 UWG verboten, soweit nicht ausdrücklich gestattet. Zuwiderhandlungen verpflichten zu Schadensersatz (§19 UWG). Alle Rechte vorbehalten, insbesondere das Recht, Patent-, Gebrauchsmuster- oder Geschmacksmusteranmeldungen durchzuführen. CONINVERS GmbH Heisenbergstrasse 1 D-71083 Herrenberg

Mechanical data (according to IEC 61076-2-101)	
Locking thread	M12 SPEEDCON
Material	
flange housing	GD-Zn, nickel-plated
sealing gasket	HNBR
nut	brass, nickel-plated
temperature range	-40 °C to +85 °C

further information:  
 - see installation recommendation  
 SACC-M12-SCO PLUG IC



All specified data refers to the mounted M12 installation plugs ≥ IP54 and requires that the connector pair be correctly plugged and locked. Influences from wires, cables or PCB mounting are also to be taken into consideration.

general tolerance acc. to DIN ISO 2768-c		technical changes reserved		Index 1 / 2012-07-06		scale: 2:1	
design	2012-07-06	Scheerer		Series DSIV M12-installation plug angled 4-pole pin/A-cod./shield connection/SCO/flat gasket			
chk.							
		drawing-no.:	BS-04P2NG2M500		doc.-no.:	00671360	
		order-no.:	1439913				
		article designation:	SACC-DSIV-MS-4CON-L90 SH SCO				