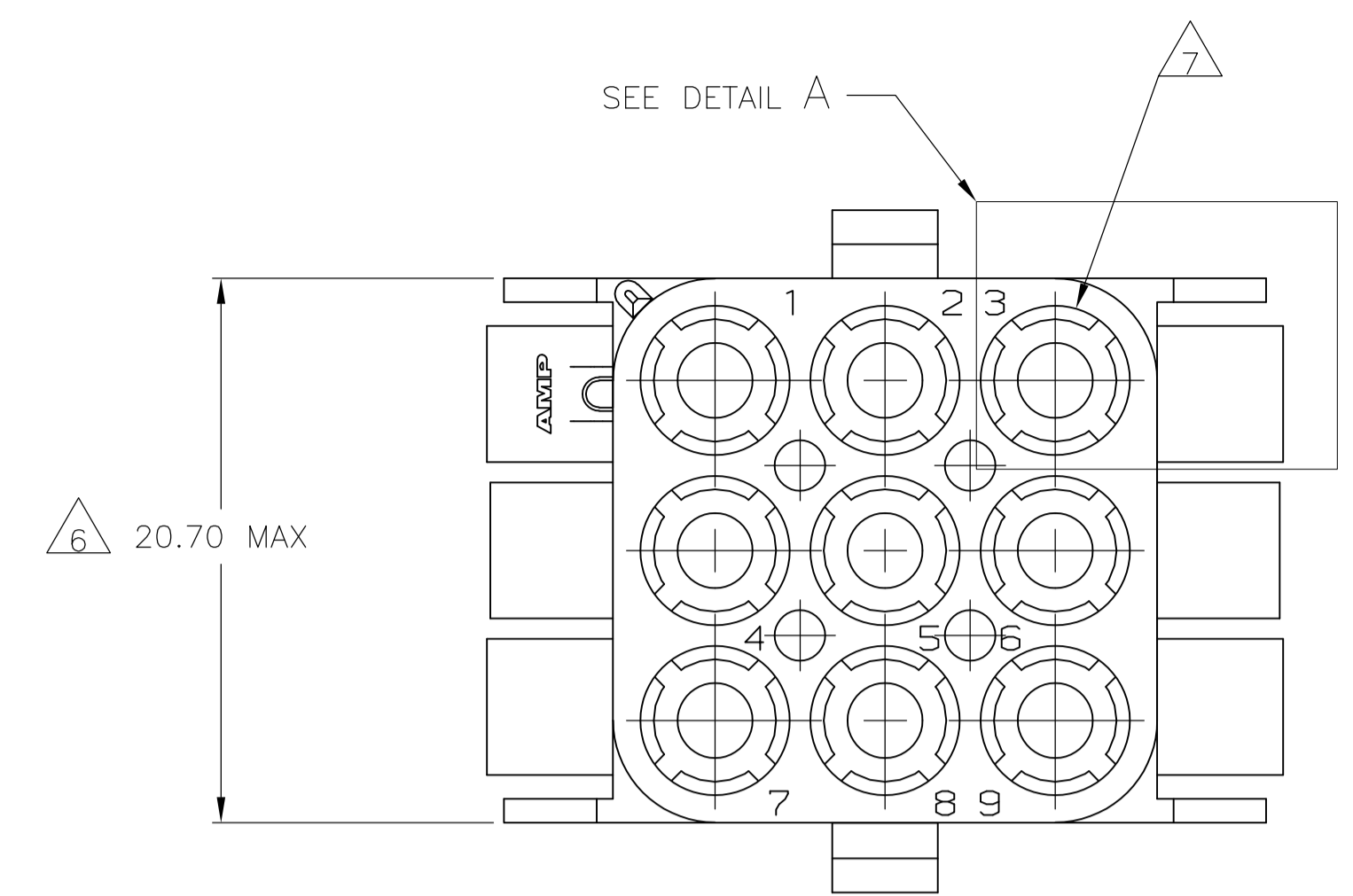
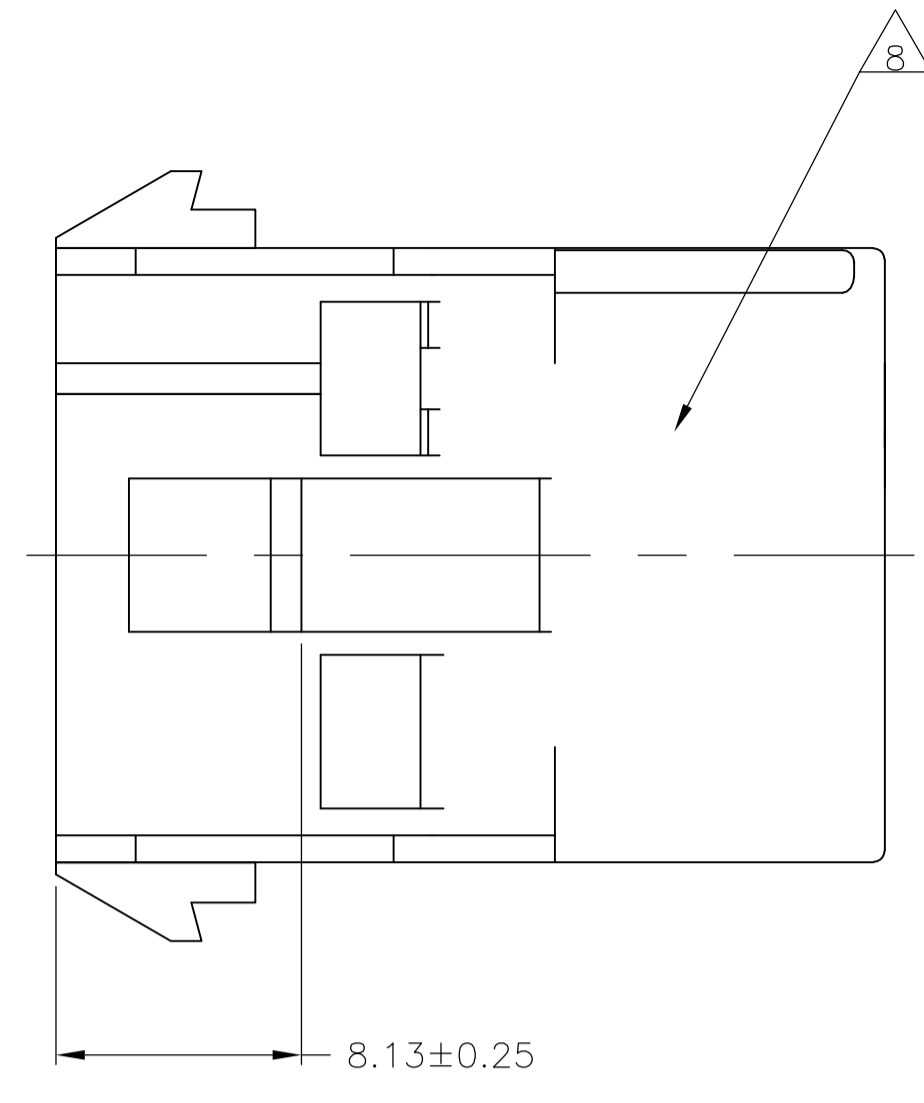
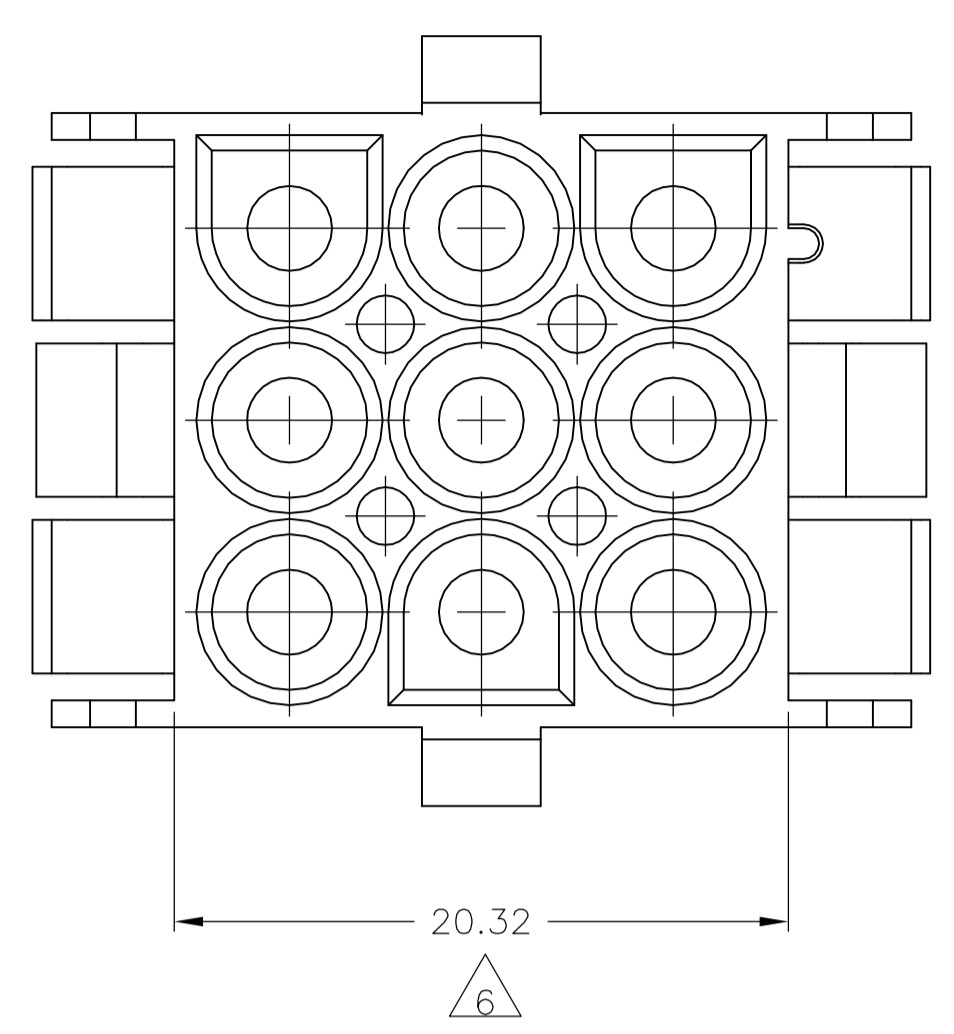
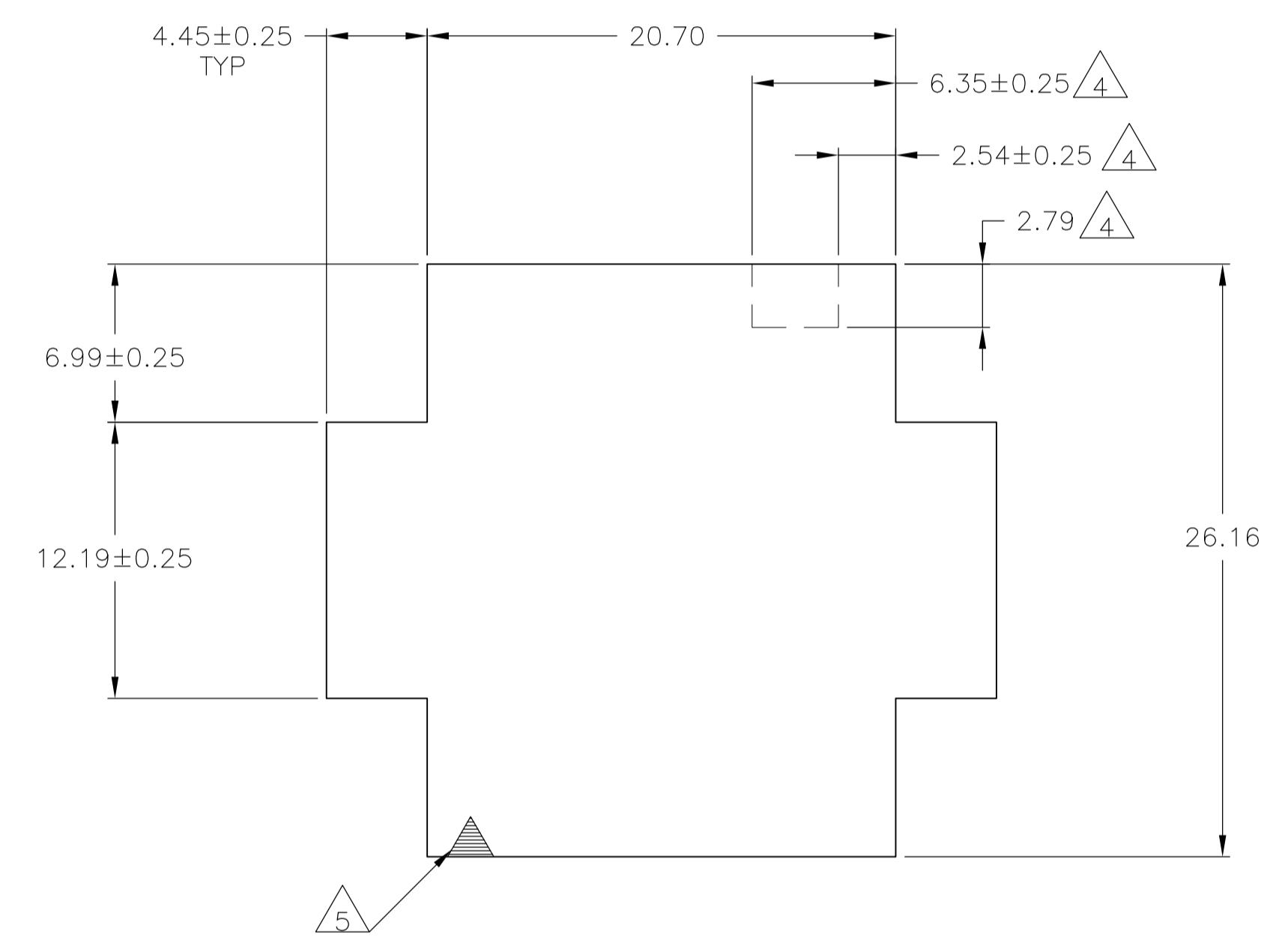
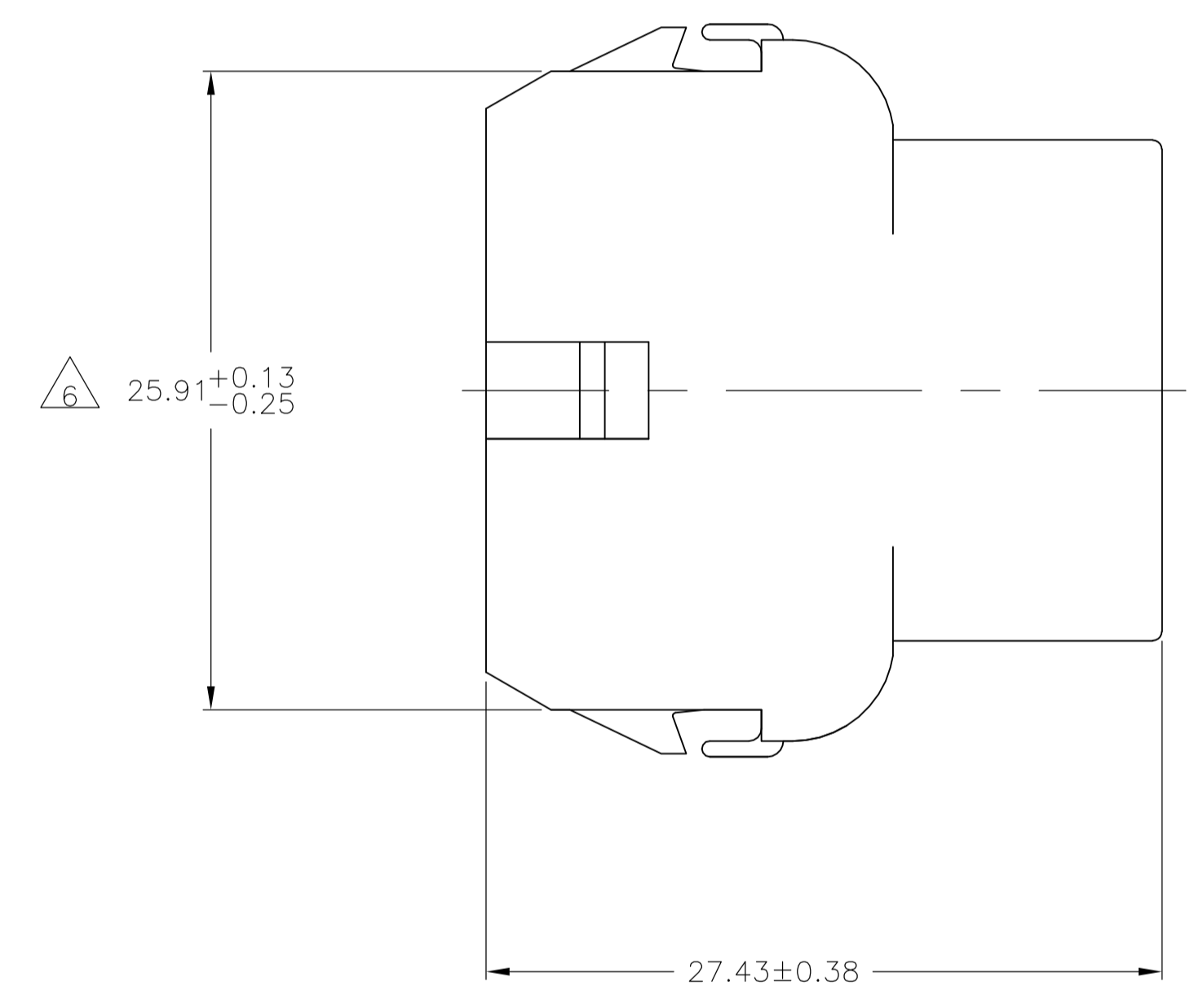
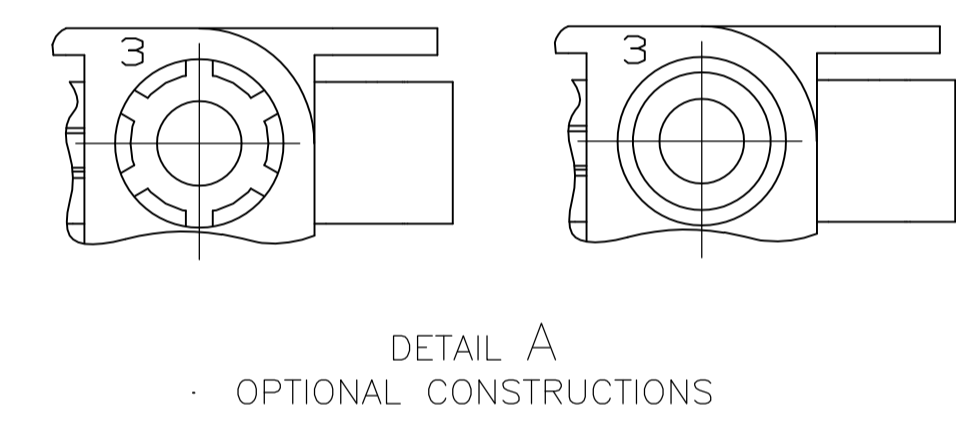


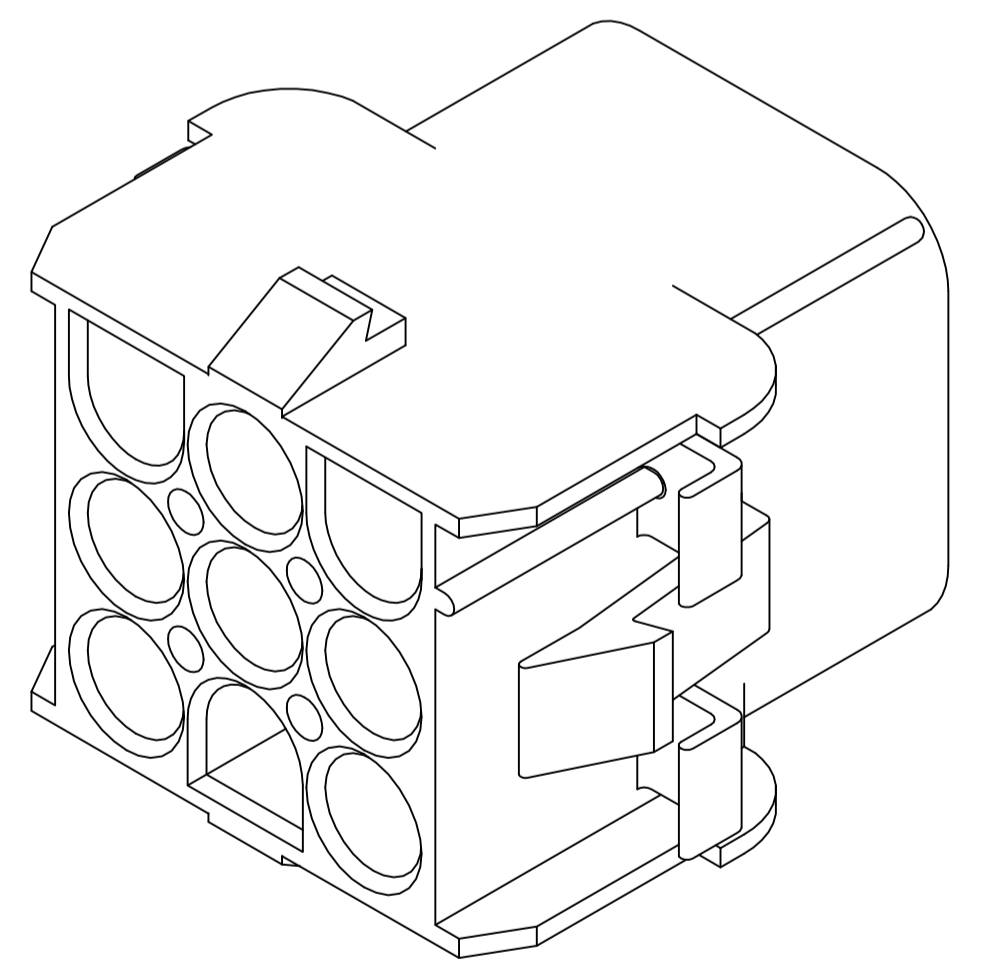
LOC	DIST	REVISIONS			
CM	00	REV	DATE	BY	CHK
AK2		REVISED PER ECO-11-004587	11MAR11	RK	HMR



1. MATES WITH APPROPRIATE UNIVERSAL MATE-N-LOK™ PLUG.
2. RECOMMENDED PANEL THICKNESS 0.76 - 2.29.
3. PANEL MUST BE PUNCHED SO THAT THE HOUSING ENTERS THE PANEL IN THE SAME DIRECTION AS THE PUNCH.
4. OPTIONAL FOR KEYING HOUSING IN PANEL.
5. CIRCUIT NUMBER 1 LOCATION.
6. DIMENSION REPRESENTS POTENTIAL MAXIMUM GROWTH DUE TO MOISTURE ABSORPTION.
7. FOUR RIBS EQUALLY SPACED, NO SPECIFIC ORIENTATION. NO RIBS OR SIX RIBS EQUALLY SPACED, NO SPECIFIC ORIENTATION, OPTIONAL.
8. UNDERWRITERS RECOGNIZED COMPONENT LOGO AND CSA CERTIFICATION LOGO TO BE LOCATED ONCE EACH ON SIDE OF HOUSING.
9. OBSOLETE PARTS: OBSOLETE CIS STREAMLINING PER D.RENAUD/D.SINISI



RECOMMENDED PANEL CUT OUT

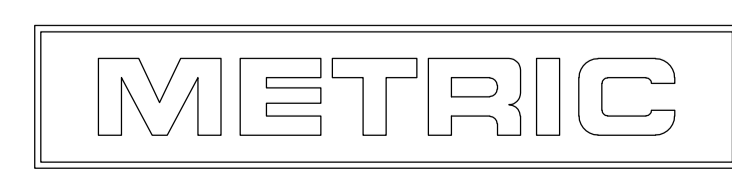


MM	IN	MM	IN
6.35	.250	-	-
4.45	.175	27.43	1.080
2.79	.110	26.43	1.041
2.54	.100	25.91	1.020
2.29	.090	20.70	.815
0.76	.030	20.32	.800
0.38	.015	12.19	.480
0.25	.010	8.13	.320
0.13	.005	6.99	.275
MM	IN	MM	IN

CONVERSION TABLE

Color	Part No
BLACK	1-480707-9
GRAY	1-480707-8
BLUE	1-480707-6
GREEN	1-480707-5
YELLOW	1-480707-4
ORANGE	1-480707-3
RED	1-480707-2
BROWN	1-480707-1
NATURAL	1-480707-0
COLOR	PART NO

9 OBSOLETE
SUPERSEDED BY 1-480707-0

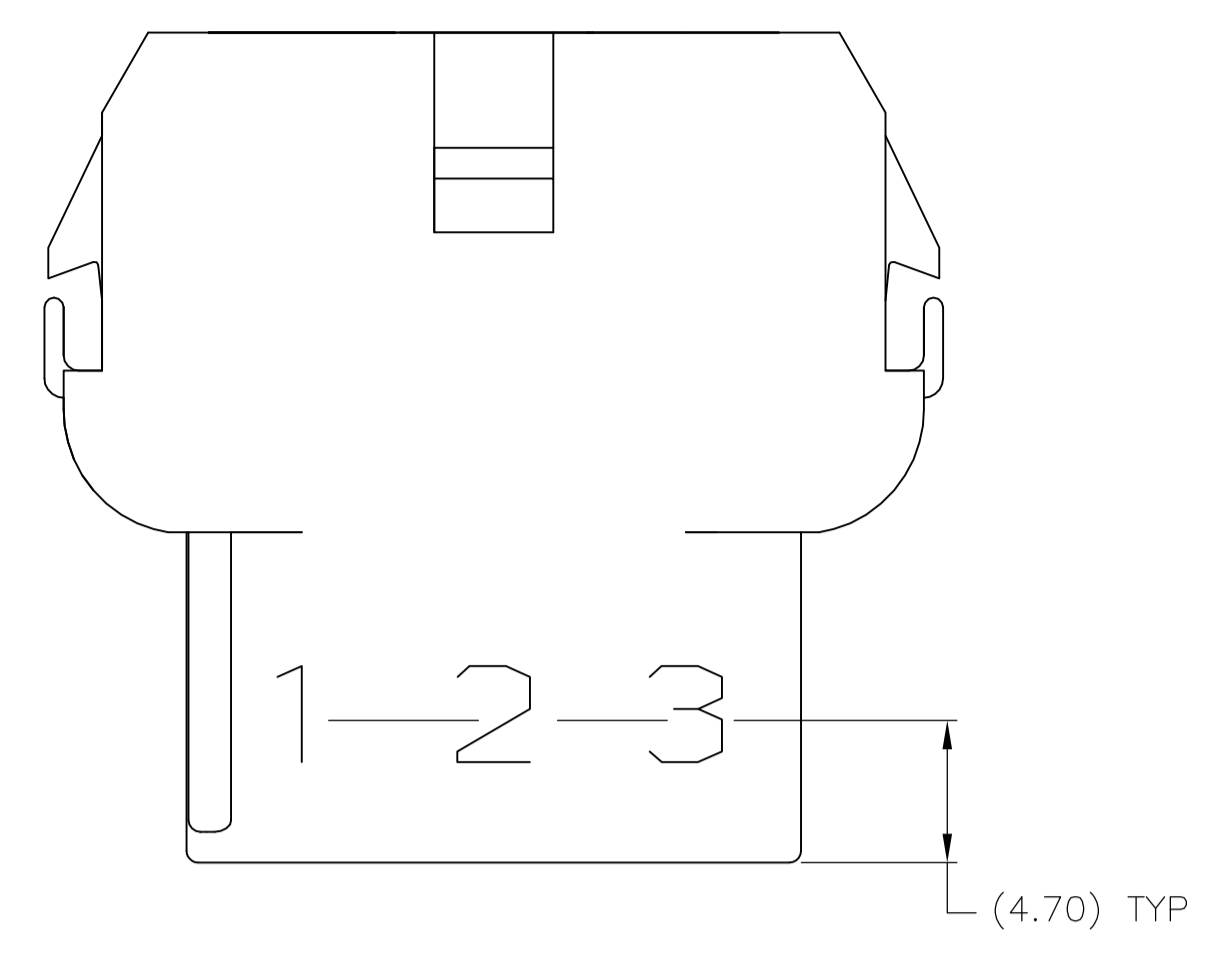


THIS DRAWING IS A CONTROLLED DOCUMENT.

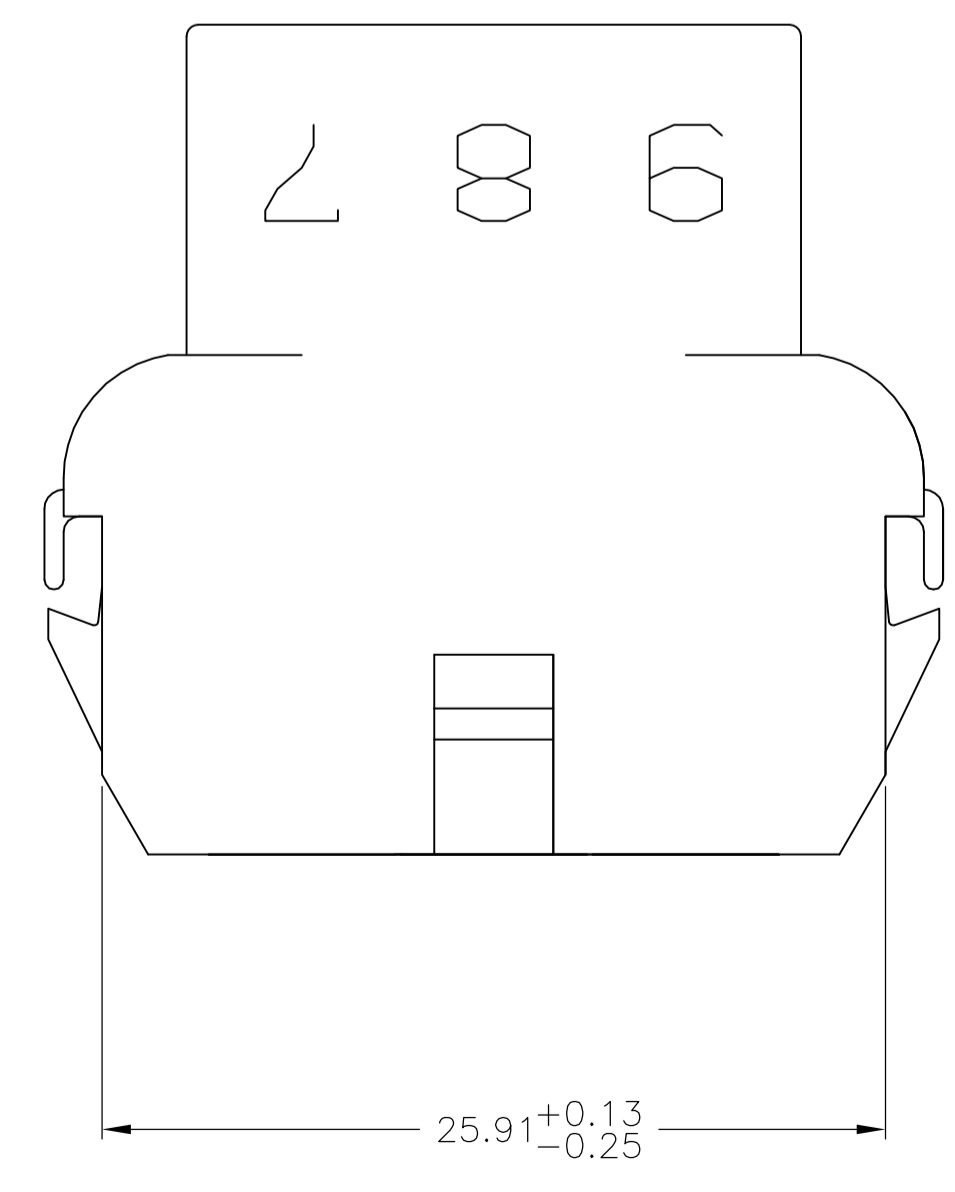
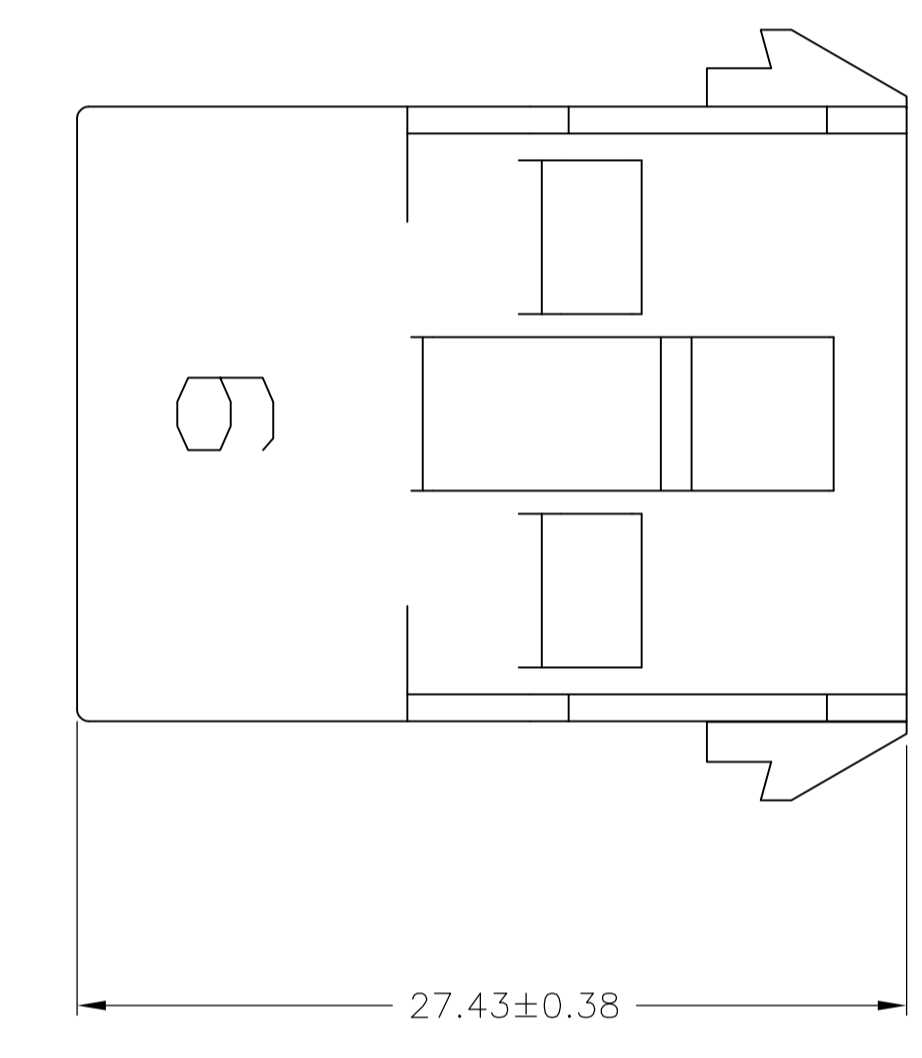
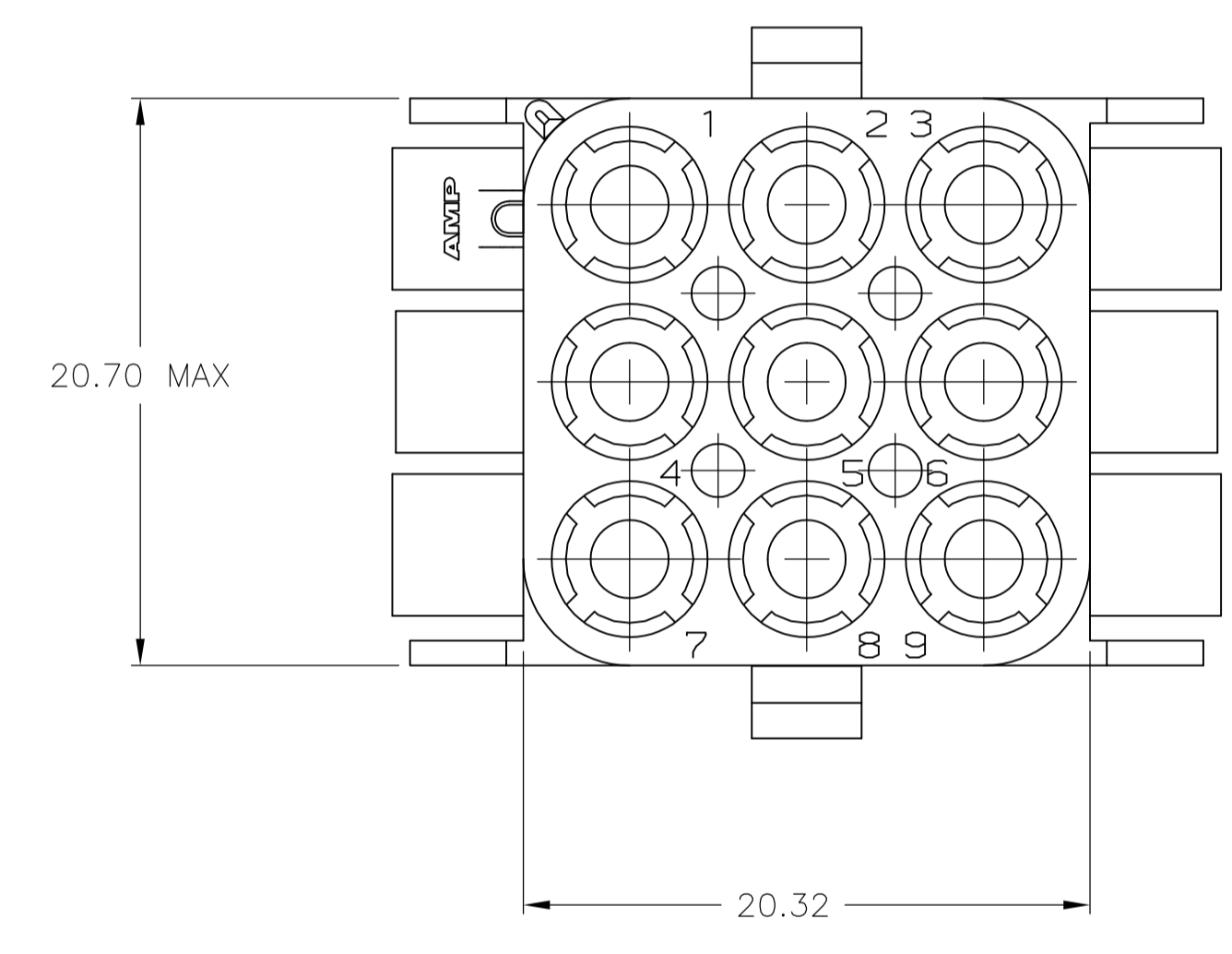
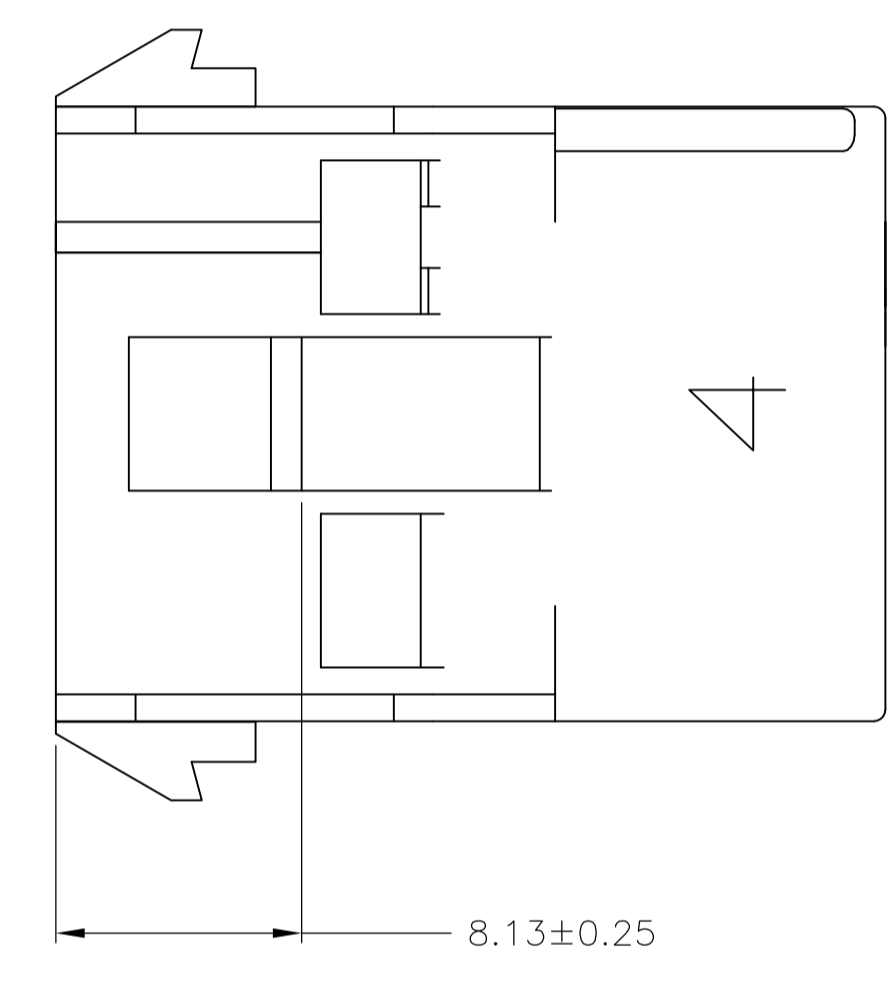
DW: K. WHITAKER	29JUL04	TE Connectivity CAP, 9 CIRCUIT, UNIVERSAL MATE-N-LOK(TM)
CHK: S. RIDGILL	29JUL04	
APP'D: S. RIDGILL	29JUL04	
NAME: S. RIDGILL	29JUL04	
DIMENSIONS: mm	TOLERANCES UNLESS OTHERWISE SPECIFIED:	PRODUCT SPEC
0. PLC ± -	1. PLC ± -	APPLICATION SPEC
2. PLC ± 0.13	3. PLC ± -	WEIGHT
4. PLC ± -	ANGLES ± 0.30°	FINISH
MATERIAL: NYLON, UL94V-2		RESTRICTED TO

SIZE: A1 CAGE CODE: 00779 DRAWING NO: 480707

CUSTOMER DRAWING SCALE: 4:1 SHEET: 1 OF 2 REV: AK2

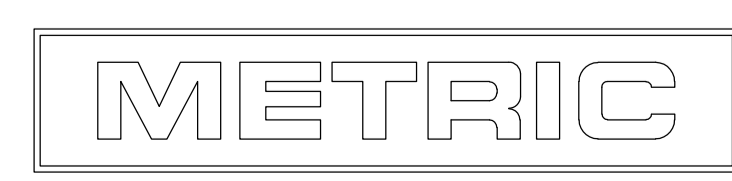


1. STAMP NUMBERS 3.18 HIGH AT WIRE END OF HOUSING (12 POINT DAVID TYPE); CLARIFICATION MARKS UNDER THE 6 & 9.
2. CHARACTERS TO BE STAMPED ON HOUSING IN A MANNER AS TO BE READ FROM WIRE END ONLY.
3. VIOLET, BLACK, BROWN, AND BLUE COLORED BLOCKS TO BE STAMPED WITH WHITE CHARACTERS. ALL OTHER COLORED BLOCKS TO BE STAMPED WITH BLACK CHARACTERS.



5.08	.200	-	-
4.70	.185	27.43	1.080
3.18	.125	25.91	1.020
0.38	.015	20.70	.815
0.25	.010	20.32	.800
0.13	.005	8.13	.320
MM	IN	MM	IN

CONVERSION TABLE



THIS DRAWING IS A CONTROLLED DOCUMENT.

DIMENSIONS:	TOLERANCES UNLESS OTHERWISE SPECIFIED:	DIN K. WHITAKER 29JUL04	NAME
mm	0. PLC ± -	CHK S. RIDGILL 29JUL04	APVD S. RIDGILL 29JUL04
	1. PLC ± -		PRODUCT SPEC
	2. PLC ± 0.13		APPLICATION SPEC
	3. PLC ± -		SIZE
	4. PLC ± -		WEIGHT
	ANGLES ± 0°30'		CAGE CODE
MATERIAL NYLON, UL94V-2	FINISH -		DRAWING NO
			RESTRICTED TO

STE TE Connectivity

CAP, 9 CIRCUIT, UNIVERSAL MATE-N-LOK(TM)

A1 00779 C=480707

CUSTOMER DRAWING SCALE 4:1 SHEET 2 OF 2 REV AK2