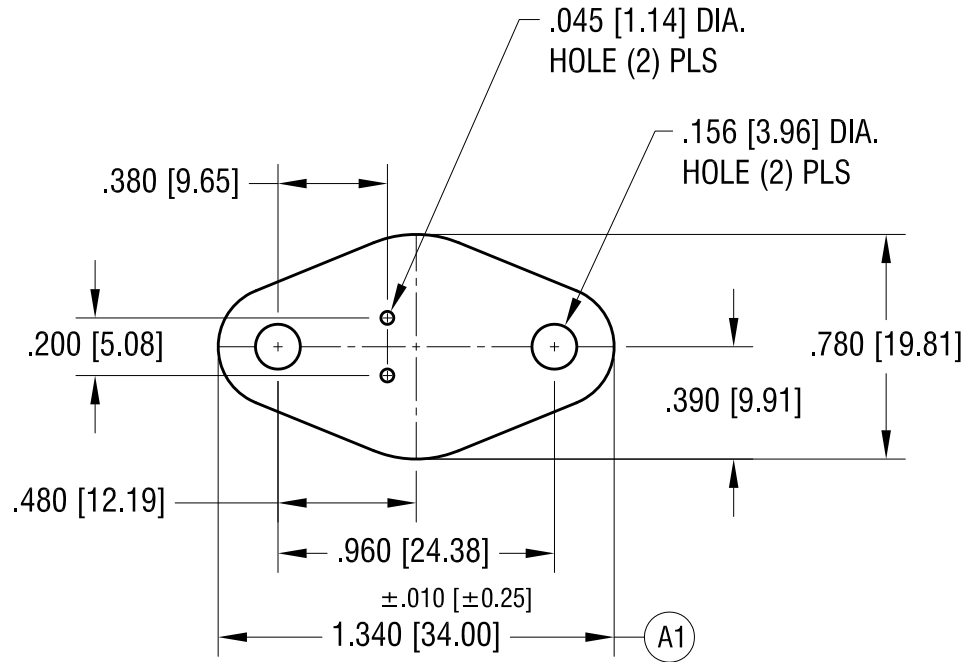
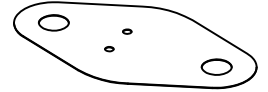


THIS DOCUMENT IS THE PROPERTY OF
KEYSTONE ELECTRONICS CORP. AND
SHALL NOT BE REPRODUCED, DISTRIBUTED
OR USED AS A BASIS FOR MANUFACTURE
WITHOUT PRIOR WRITTEN PERMISSION
FROM KEYSTONE ELECTRONICS CORP.

ACTUAL SIZE



KEYSTONE ELECTRONICS CORP.

www.keyelco.com • ASTORIA, N.Y. 11105-2017 • Tel (718) 956-8900

PART NAME		INSULATOR	
MATERIAL		.003 [0.70] TH'K MICA	
FINISH	-	DRN BY	BOONE
		APP'D	LN
		DATE	2.22.06
		SCALE	1.5X
TOLERANCES	INCH [MM]	CODE	DWG NO.
DECIMAL	± .005 [± 0.13]	C/M	4666
ANGULAR	± 1°		
UNLESS OTHERWISE SPECIFIED			

A1 WAS 1.375±.005

7.02.12 CHANGE AS PER ECN 12-081

A

DATE DESCRIPTION

REV.