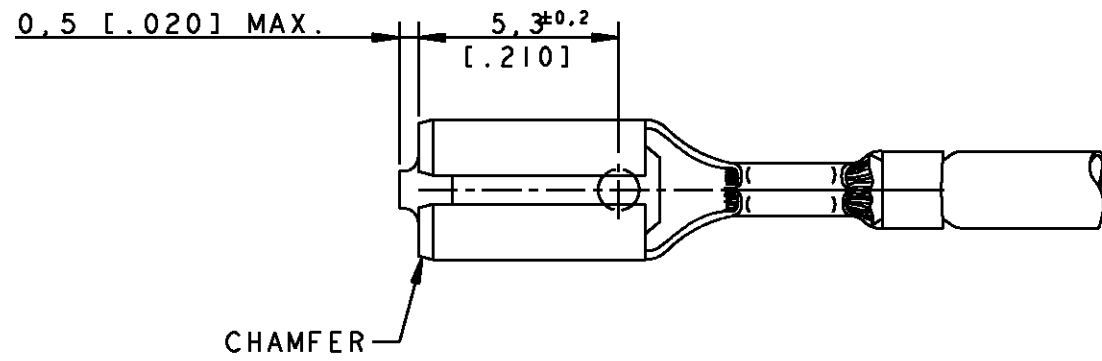
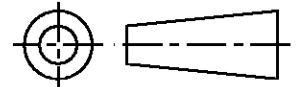


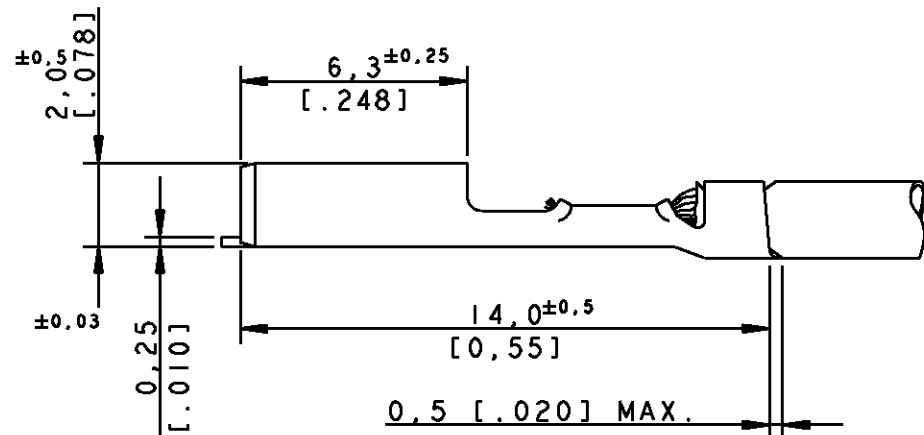
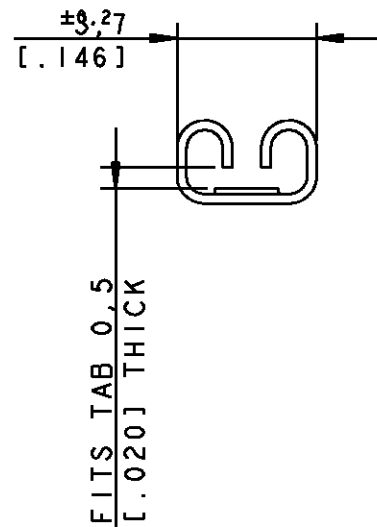
DO NOT SCALE
DIMENSIONS IN mm

METRIC

THIRD ANGLE
PROJECTION



CHAMFER



△ OBSOLETE PARTS: OBSOLETE CIS STREAMLINING PER D.RENAUD/D.SINISI

OBSOLETE

MAKE FROM STRIP PN	FINISH	MATERIAL	LOOSE PIECE PARTNUMBER
6-160316-3	TIN-LEAD	PHOSPHORBRONZE	6-160323-3
6-160316-2	TIN-LEAD	BRASS	6-160323-2
6-160316-0	PRE-TIN HOT DIP	PHOSPHORBRONZE	6-160323-0
5-160316-6	TIN	PHOSPHORBRONZE	△ 5-160323-6
5-160316-5	NONE	PHOSPHORBRONZE	5-160323-5
5-160316-4	GOLD	BRASS	△ 5-160323-4
5-160316-3	SILVER	BRASS	△ 5-160323-3
5-160316-2	TIN	BRASS	5-160323-2
5-160316-1	NONE	BRASS	5-160323-1

WIRE RANGE :
0,3-0,56 mm
INSULATION RANGE :
1,0-2,0 DIA.

CUSTOMER DRAWING				FOR REFERENCE ONLY WILL NOT BE UPDATED	
© COPYRIGHT 19 - BY AMP HOLLAND B.V. ALL INTERNATIONAL RIGHTS RESERVED. AMP PRODUCTS MAY BE COVERED BY U.S. AND FOREIGN AND/OR PATENTS PENDING.					
THIS DRAWING IS UNPUBLISHED RELEASED FOR PUBLICATION - , 19 -					
A2	ECR-10-010420	RK	SRE	04FEB10	AMP ITALIA S.r.l. Corso F.lli Cervi, 15 COLLEGNO (TORINO)
A1	REVISED PER ECO-09-022178	KK	AEG	21SEP09	
A	EH-0243-94	DK	PB	11-04-94	NAME
LTR.	REVISION RECORD	DR.	CHK.	DATE	.110 SRS FASTON RECEPTACLE LOOSE PIECES
DR.:	D.KESSLER	CHK.:	P.BEIJNON	APP.:	L.v.SOEST
DATE:	11-04-94	DATE:		DATE:	
DWG. No.		C-160323		REV. LTR.	A2
SHEET		1 OF 1		A3	