

LOC	DIST	REVISIONS					
H	—	P	LTR	DESCRIPTION	DATE	DWN	APVD
			O	INITIAL RELEASE	—	—	—
			A	ECR-09-000201	19-01-09	AEG	KMA



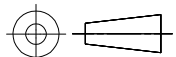
REFERENCE 136506-1		
DESIGNATION	REFERENCE	QTE
CONNECTEUR	1658671-1	42
CAPOT	737431-2	42

VOIR LES DETAILS DE CHACUN DES COMPOSANTS  
SUR LES PLANS CLIENTS CONCERNES

THIS DRAWING IS UNPUBLISHED.

ALL INTERNATIONAL RIGHTS RESERVED.

© COPYRIGHT - BY TYCO ELECTRONICS CORPORATION.

DIMENSIONS: mm	DWN	28JAN97	MATERIAL	—	FINISH	—	
	CHK	J.ALVES	04FEB97	 Tyco Electronics Corporation 's-Hertogenbosch, Nederland			
TOLERANCES UNLESS OTHERWISE SPECIFIED:	G.ROBERT	04FEB97					
0 PLC ± -	APVD	Y.PETRONIN	04FEB97	NAME KIT HD 22			
1 PLC ± -	PRODUCT SPEC	—					
2 PLC ± -	APPLICATION SPEC	—	SIZE	CAGE CODE	DRAWING NO	RESTRICTED TO	
3 PLC ± -	WEIGHT	—	A4	00779	 136506	—	
4 PLC ± -			CUSTOMER DRAWING			SCALE	NTS
ANGLES ± -						SHEET	1 OF 1
						REV	A